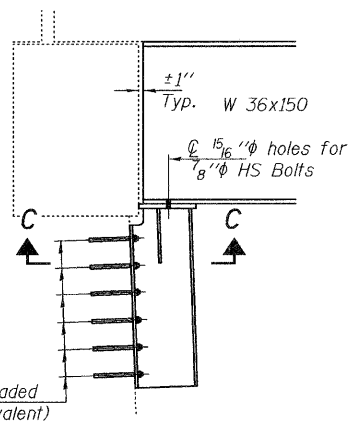
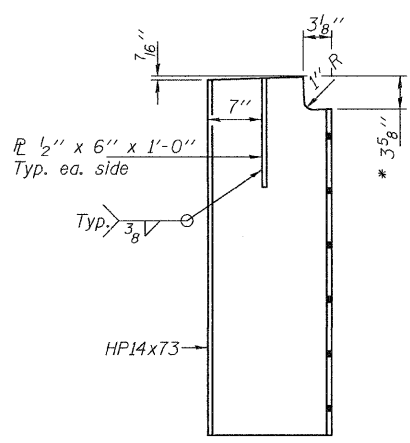


SECTION A-A

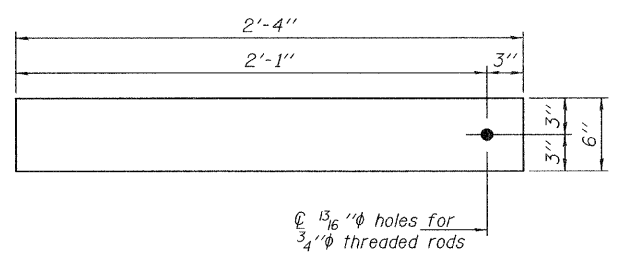


SECTION B-B

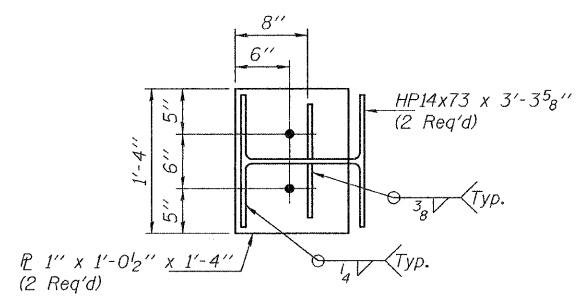


NOTCH AND STIFFENER DETAIL

* This dimension can be reduced if existing field conditions allow it.



TRANSVERSE TIE PLATES
 PL A 1/2" x 2'-4" x 6" (4 Req'd)



SECTION C-C

DESIGNED VHV
 CHECKED DAB
 DRAWN baliva
 CHECKED VHV DAB

EXAMINED *Carl Perry*
 ENGINEER OF STRUCTURAL SERVICES
 PASSED *Ralph E. Anderson*
 ENGINEER OF BRIDGES AND STRUCTURES

DATE - JUNE 14, 2010

STATE OF ILLINOIS
 DEPARTMENT OF TRANSPORTATION

REPAIR DETAILS
 SN 015-0019

SHEET 2 OF 2 SHEETS

F.A. RTE.	SECTION	COUNTY	TOTAL SHEETS	SHEET NO.
91	D7 BEAM REPAIR 2011-1	COLES	5	5
CONTRACT NO. 74499			ILLINOIS FED. AID PROJECT	