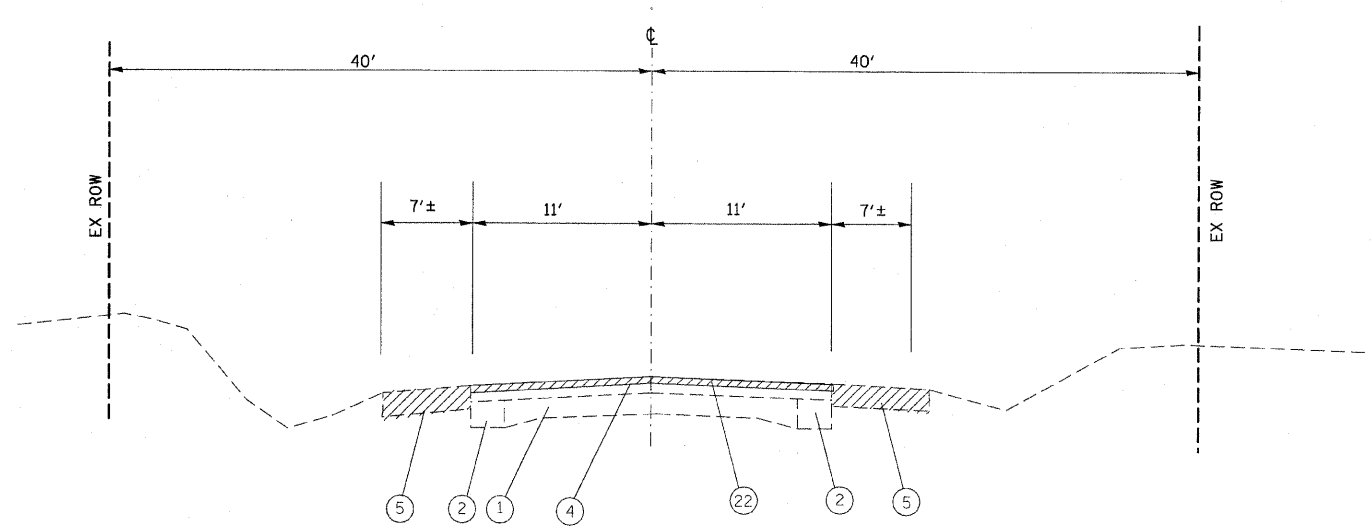
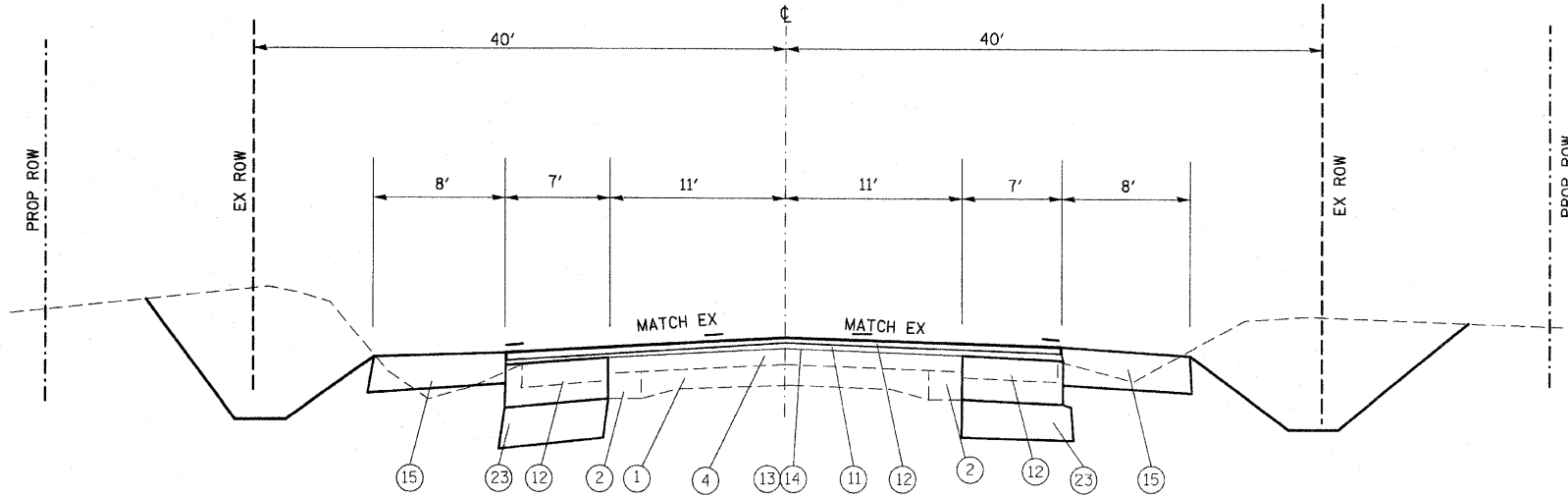


F.A.R.T.E.	SECTION	COUNTY	TOTAL SHEETS	SHEET NO.
809	133,134RS-5,135RS-6	ST. CLAIR	762	17
STA. _____		TO STA. _____		
FED. ROAD DIST. NO. _____		ILLINOIS	FED. AID PROJECT	



EXISTING IL 158
STA. 673+72.12 - STA. 691+00



PROPOSED IL 158
STA. 673+72.12 - STA. 691+00

LEGEND

- ① EXISTING PCC PAVEMENT
- ② EXISTING PCC WIDENING
- ③ EXISTING CONC. GUTTER, TYPE A
- ④ EXISTING BITUMINOUS RESURFACING, 6" +/-
- ⑤ EXISTING BITUMINOUS SHOULDER (TBR)
- ⑥ EXISTING AGGREGATE SHOULDER
- ⑦ EXISTING CONC. GUTTER TYPE B
- ⑧ EXISTING CONC. CURB, TYPE 4
- ⑨ EXISTING PCC SIDEWALK
- ⑩ PROPOSED HMA SURFACE COURSE 1 1/2"
- ⑪ PROPOSED LEVELING BINDER 3/4"
- ⑫ PROPOSED HMA BINDER COURSE 12"
- ⑬ PROPOSED AGGREGATE (PRIME COAT)
- ⑭ PROPOSED BITUMINOUS (PRIME COAT)
- ⑮ PROPOSED HMA SHOULDER 8"
- ⑯ PROPOSED AGGREGATE SHOULDERS, TYPE A 6"
- ⑰ PROPOSED PCC SIDEWALK, 4"
- ⑱ PROPOSED CONC. GUTTER, TYPE A
- ⑲ PROPOSED THERMOPLASTIC PAVEMENT MARKING
- ⑳ PROPOSED CONC. CURB AND GUTTER TYPE B6.24
- ㉑ PROPOSED STORM SEWER
- ㉒ PROPOSED HMA SURFACE REMOVAL 1 3/4"
- ㉓ PROPOSED AGG BASE COURSE, TYPE B 12"

PLOT DATE * DATE *
 PLOT SCALE * SCALE *
 PLOT NAME * NAME *
 PLOT REFERENCE * REFERENCE *

REVISIONS	
NAME	DATE

ILLINOIS DEPARTMENT OF TRANSPORTATION
TYPICAL SECTIONS
 FAP ROUTE 809 (IL RTE. 158)
 SECTION (133, 134)RS-5, 135RS-6
 ST. CLAIR COUNTY

SCALE: VERT. _____
 HORIZ. _____
 DATE _____ DRAWN BY _____
 CHECKED BY _____