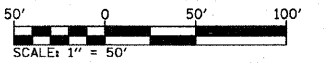
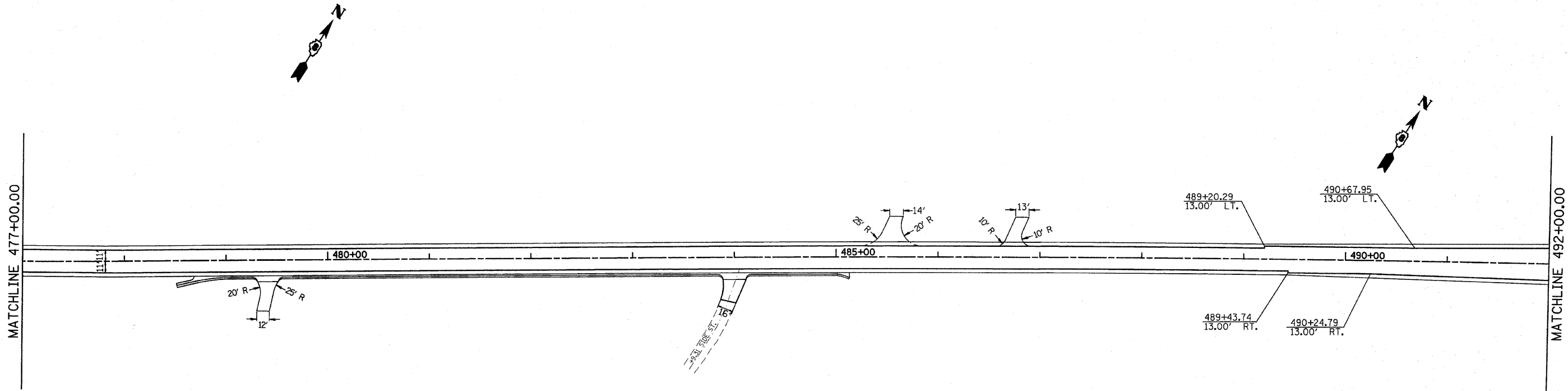


F.A.P. RTE.	SECTION	COUNTY	TOTAL SHEETS	SHEET NO.
809	(133,134)RS-5,135RS-6	ST. CLAIR	762	252
STA. 477+00		TO STA. 492+00		
FED. ROAD DIST. NO. 1		ILLINOIS FED. AID PROJECT		



REVISIONS	
NAME	DATE

ILLINOIS DEPARTMENT OF TRANSPORTATION
 GEOMETRIC DETAIL SHEETS
 FAP ROUTE 809 (IL RTE. 158)
 SECTION (133, 134)RS-5, 135RS-6
 ST. CLAIR COUNTY

SCALE: VERT. _____
 HORIZ. _____
 DATE _____
 DRAWN BY _____
 CHECKED BY _____

PLUT DATE = #DATE*
 FILE NAME = #FILE*
 PLOT SCALE = #SCALE*
 USER NAME = #USER*