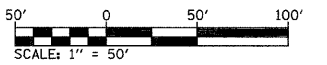
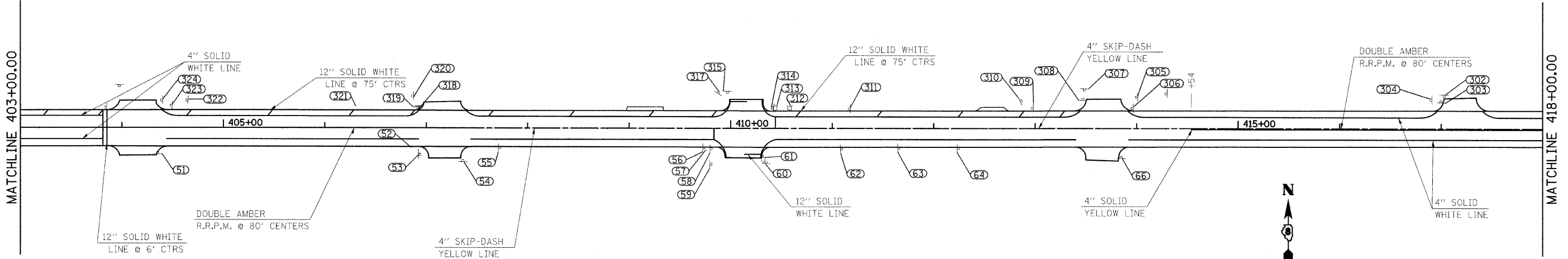


F.A.P. RTE.	SECTION	COUNTY	TOTAL SHEETS	SHEET NO.
809	(133,134)RS-5,135RS-6	ST. CLAIR	762	273
STA. 403+00		TO STA. 418+00		
FED. ROAD DIST. NO. _		ILLINOIS FED. AID PROJECT		



PLOT DATE = *DATE*
 FILE NAME = *FILE*
 PLOT SCALE = *SCALE*
 USER NAME = *USER*

REVISIONS	
NAME	DATE

ILLINOIS DEPARTMENT OF TRANSPORTATION
 PAVEMENT MARKING SHEETS
 FAP ROUTE 809 (IL RTE. 158)
 SECTION (133, 134)RS-4, 135RS-5
 ST. CLAIR AND MONROE COUNTY

SCALE: VERT. _____
 HORIZ. _____
 DATE _____ DRAWN BY _____
 CHECKED BY _____