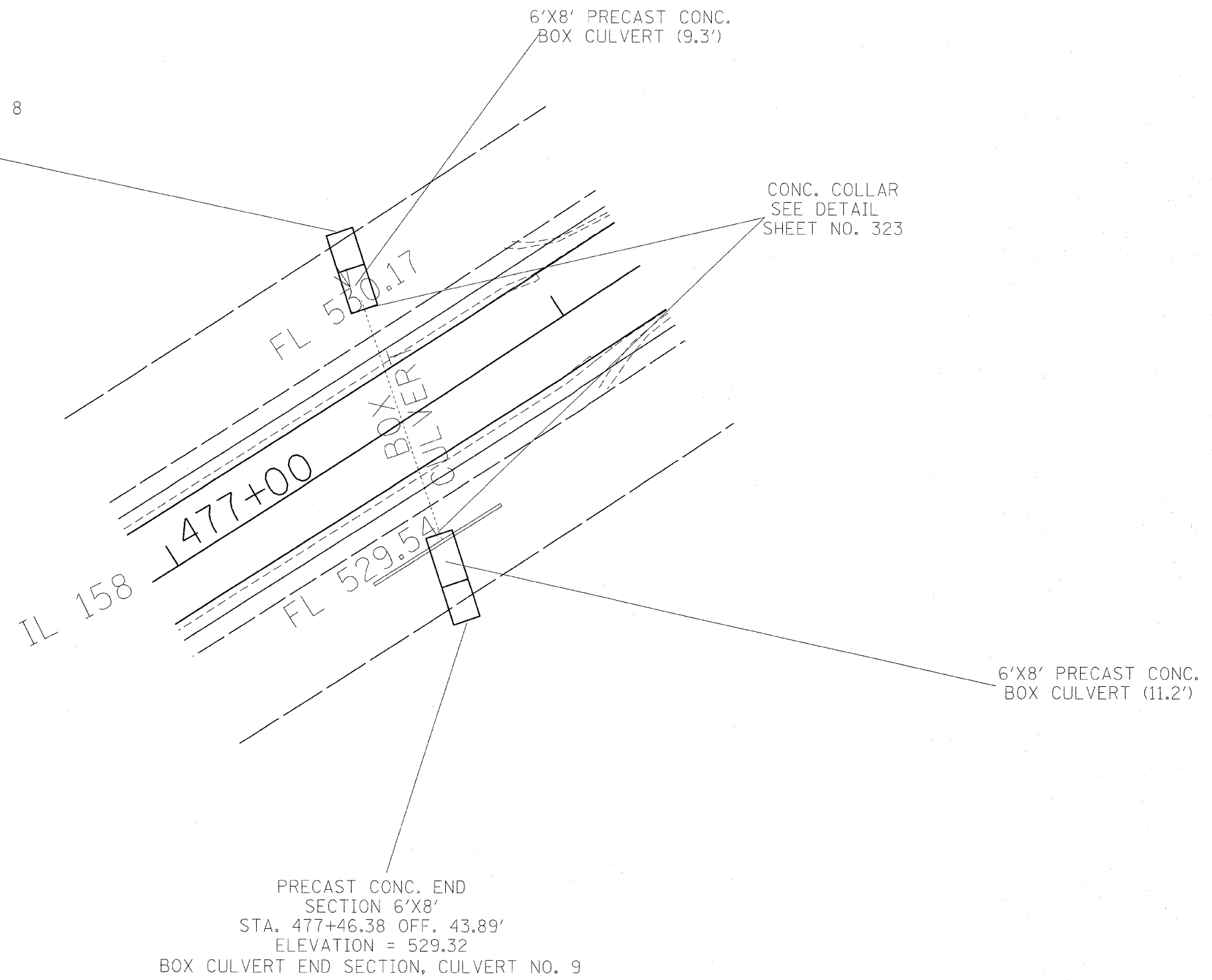
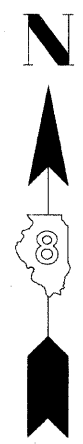


F.A.P. RTE.	SECTION	COUNTY	TOTAL SHEETS	SHEET NO.
809	(133,134)RS-5,135RS-6	ST. CLAIR	762	332
STA. _____		TO STA. _____		
FED. ROAD DIST. NO. _____		ILLINOIS FED. AID PROJECT _____		

PLAN	SURVEYED	DATE
NOTE BOOK NO.	PLOTTED	BY
	CHECKED	
	BY	
	FILE NAME	

BOX CULVERT END SECTION, CULVERT NO. 8
 PRECAST CONC. END
 SECTION 6'X8'
 STA. 477+69.06 OFF. 42.04'
 ELEVATION = 530.29



PRECAST CONC. END
 SECTION 6'X8'
 STA. 477+46.38 OFF. 43.89'
 ELEVATION = 529.32
 BOX CULVERT END SECTION, CULVERT NO. 9

REVISIONS	
NAME	DATE

DRAINAGE DETAILS
DRAINAGE STRUCTURES
 FAP ROUTE 809 (IL 158)
 SECTION (133, 134)RS-5, 135RS-6
 ST. CLAIR COUNTY
 DRAWN BY: _____

DATE-TIME
 DON-SPEC
 REF