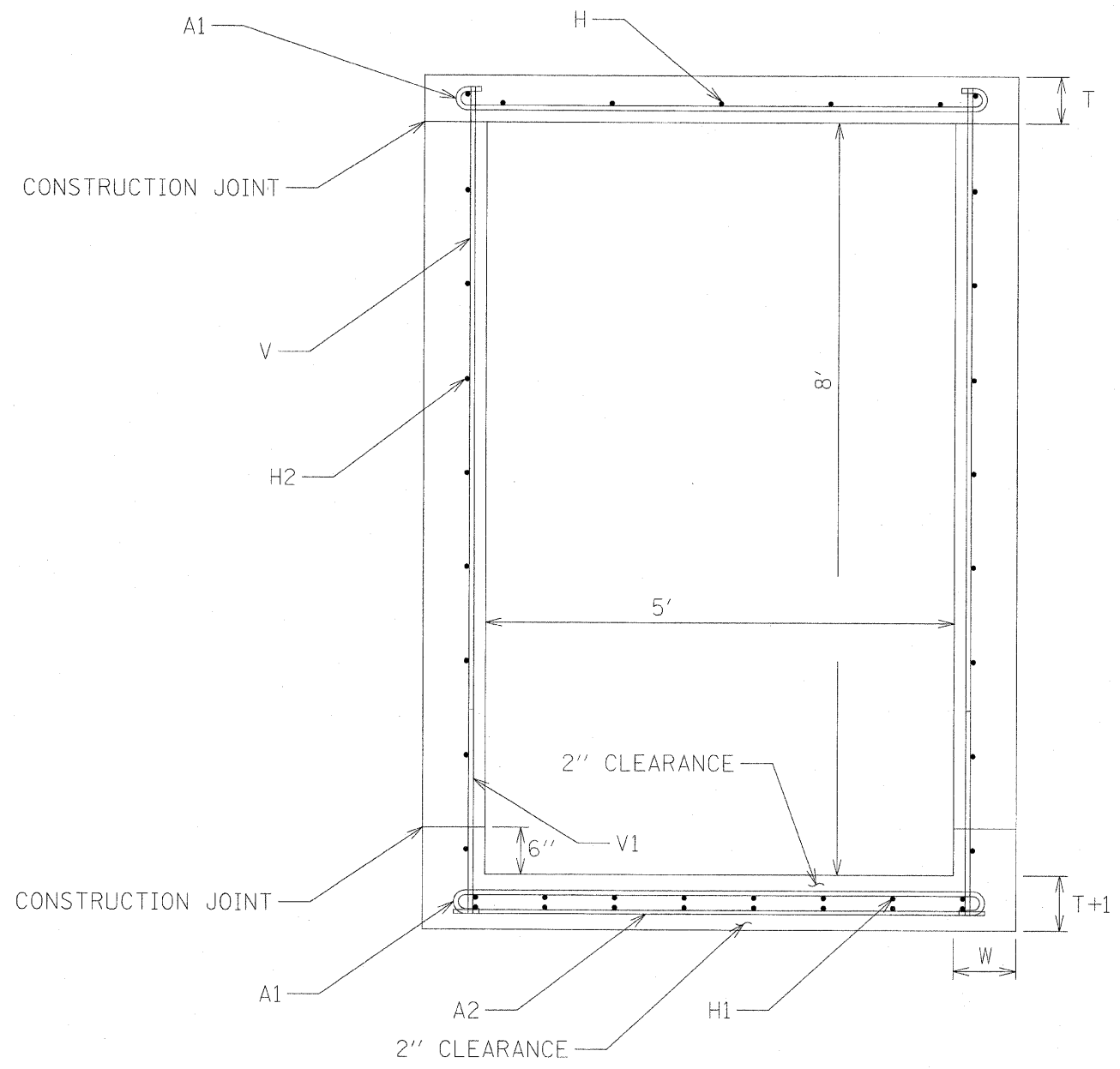


F.A.P. RTE.	SECTION	COUNTY	TOTAL SHEETS	SHEET NO.
809	(133,134)RS-5,135RS-6	ST. CLAIR	762	344
STA. _____		TO STA. _____		
FED. ROAD DIST. NO. _____		ILLINOIS FED. AID PROJECT		



PLAN	DATE	BY
REVISED		
PLOTTED		
NOTED		
NO. _____		
CAD FILE NAME		

STATION	CULVERT SIZE	FILL	T	CULVERT BARS														CONCRETE BOX CULVERTS CUBIC YARD PER FOOT										
				SLABS				WALLS				REINFORCEMENT																
				SIZE	SPACING	LENGTH	DIMENSION	SIZE	SPACING	LENGTH	W	SIZE	SPACING	LENGTH	SIZE	SPACING	LENGTH		SIZE	SPACING	NUMBER							
456+94	5' X 8'	11.5	6	5	7	6' - 10"	A	B	4	24	5' - 8"	5	14	7	4	9	16	8	5	8.5	7' - 10.5"	5	8.5	2' - 2"	6	12	16	0.649

REVISIONS	
NAME	DATE

**DRAINAGE DETAILS  
CULVERT EXTENSIONS**

FAP ROUTE 809 (IL 158)  
SECTION (133, 134)RS-5, 135RS-6  
ST. CLAIR COUNTY

DRAWN BY: \_\_\_\_\_

DATE-TIME  
CON-SPEC  
REF