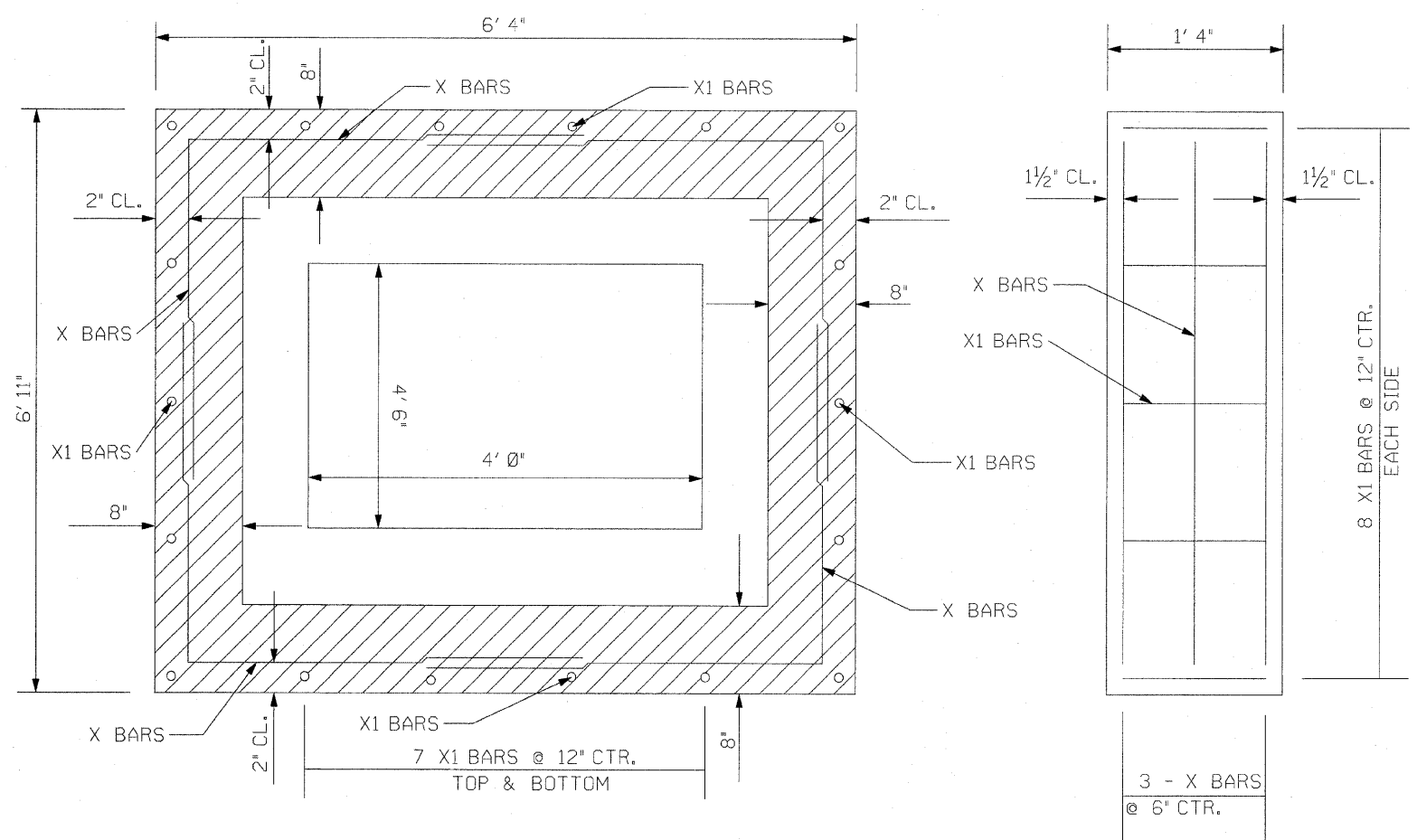


F.A.P. RTE.	SECTION	COUNTY	TOTAL SHEETS	SHEET NO.
809	133,134RS-5,135RS-6	ST. CLAIR	762	349
STA. _____		TO STA. _____		
FED. ROAD DIST. NO. _____		ILLINOIS FED. AID PROJECT		

STA. 597+09.86 RIGHT SIDE



CAST IN PLACE CONNECTION COLLAR

PLAN	SURVEYED	DATE
NOTE BOOK	PLOTTED	BY
NO. _____	CHECKED	
	BY	
	DATE	

REVISIONS	
NAME	DATE

**DRAINAGE DETAILS  
CULVERT EXTENSIONS**

FAP ROUTE 809 (IL 158)  
SECTION (133, 134)RS-5, 135RS-6  
ST. CLAIR COUNTY

DRAWN BY: \_\_\_\_\_

DATE-TIME  
DGN-SPEC  
REF.