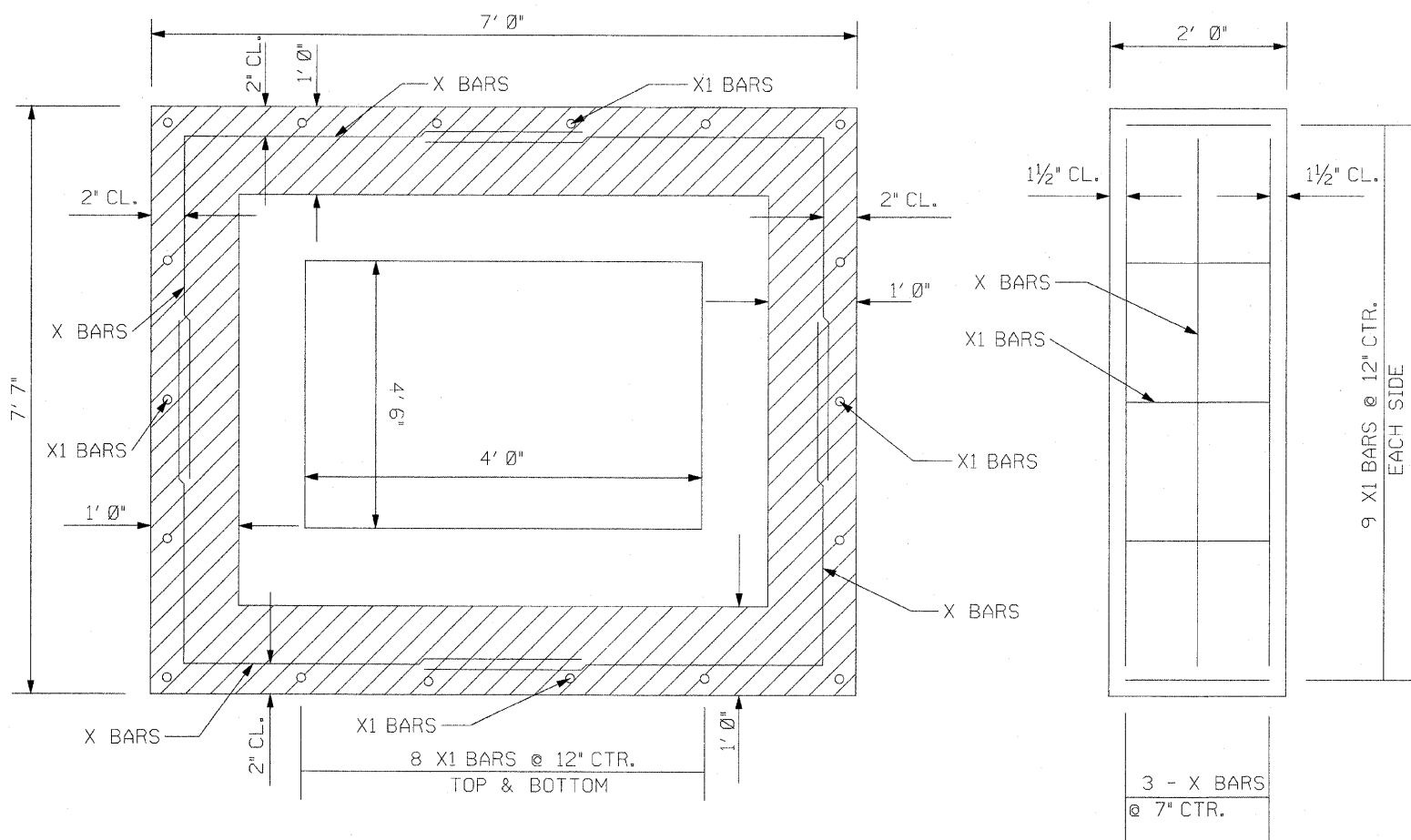


STA. 597+09.86 LEFT SIDE



CAST IN PLACE CONNECTION COLLAR

PLAN	SURVEYED	DATE
NOTE BOOK	PLOTTED	BY
NO.	REVISED	
	BY	
	DATE	
	NO. OF WAYS CHECKED	
	CADD FILE NAME	

REVISIONS	
NAME	DATE

**DRAINAGE DETAILS
CULVERT EXTENSIONS**

FAP ROUTE 809 (IL 158)
SECTION (133, 134)RS-5, 135RS-6
ST. CLAIR COUNTY

DRAWN BY:

DATE-TIME
NON-SPEC
REF