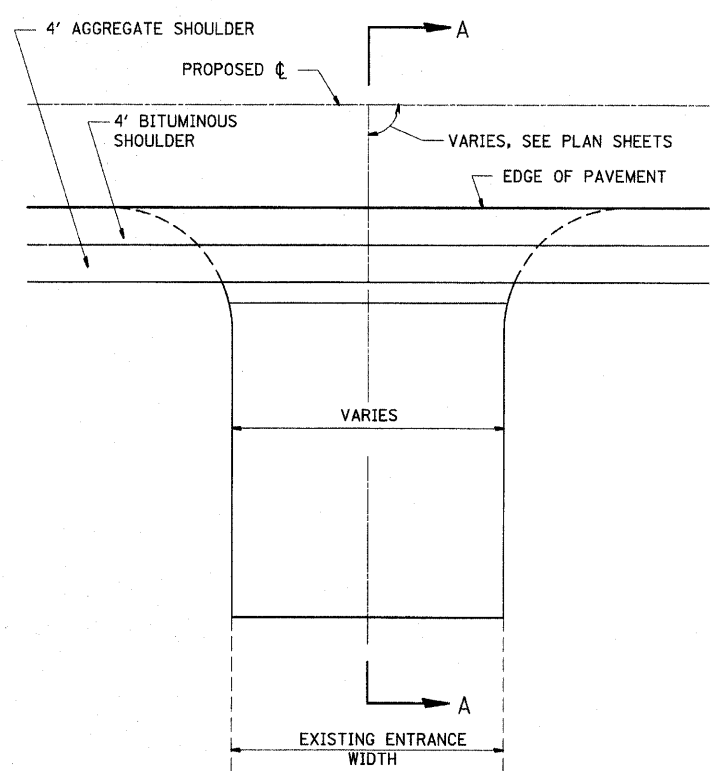
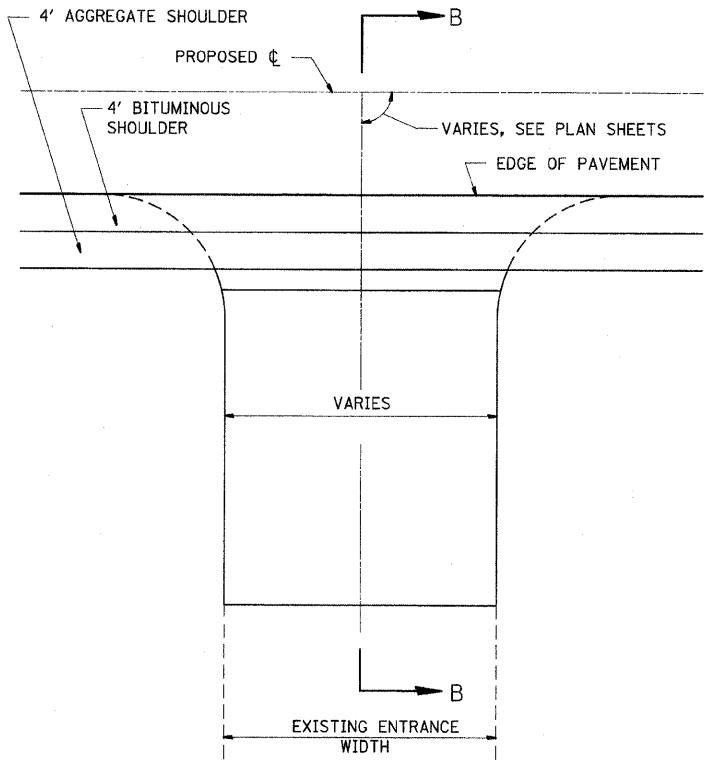


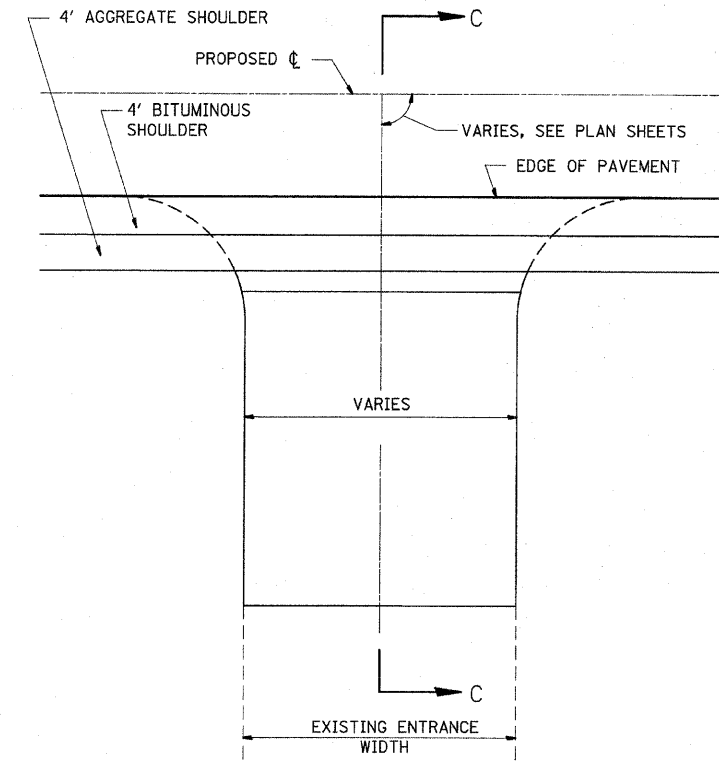
F.A.P. RTE.	SECTION	COUNTY	TOTAL SHEETS	SHEET NO.
809	(133,134RS-5,135RS-6	ST. CLAIR	762	354
STA. _____		TO STA. _____		
FED. ROAD DIST. NO. _____		ILLINOIS FED. AID PROJECT		



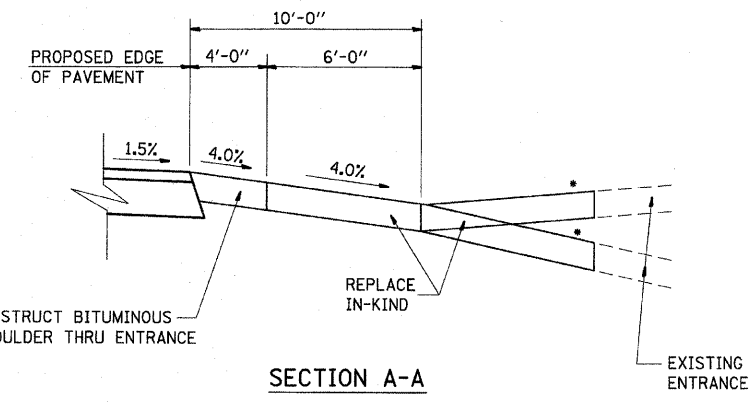
PE DETAIL A
PRIVATE ENTRANCE ADJACENT TO COMBINATION BITUMINOUS AND AGGREGATE SHOULDERS



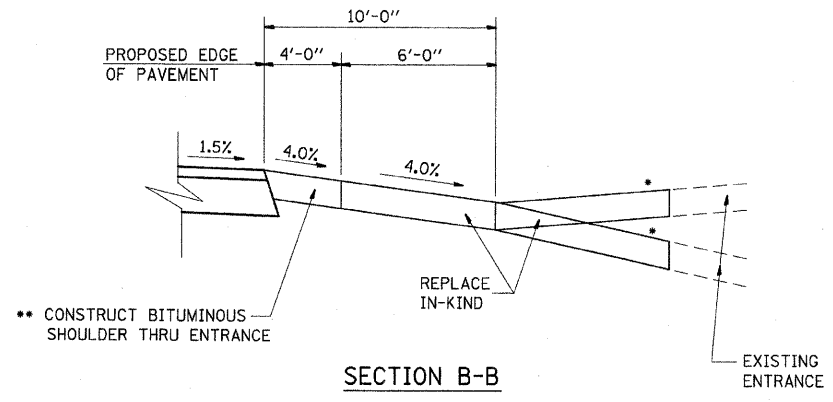
SR & CE DETAIL B
COMMERCIAL ENTRANCE ADJACENT TO COMBINATION BITUMINOUS AND AGGREGATE SHOULDERS



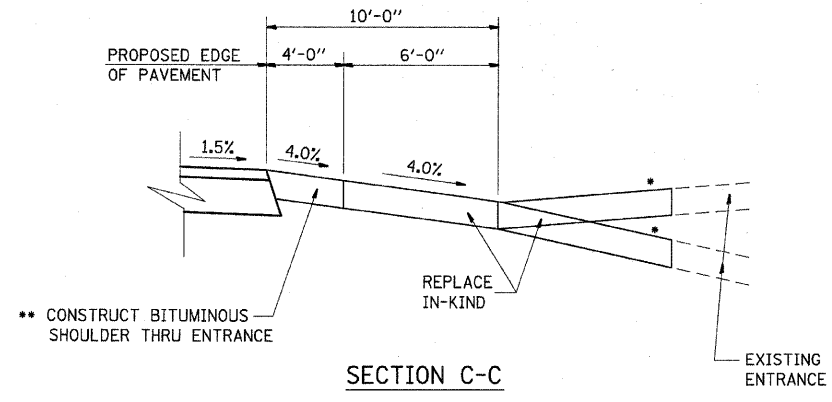
FE DETAIL C
FIELD ENTRANCE ADJACENT TO COMBINATION BITUMINOUS AND AGGREGATE SHOULDERS



SECTION A-A
• SEE CROSS SECTIONS FOR SLOPE
• OMIT AT CONCRETE ENTRANCES
• EXISTING CONCRETE GETS PROPOSED CONCRETE TO EDGE OF PAVEMENT



SECTION B-B
• SEE CROSS SECTIONS FOR SLOPE
• OMIT AT CONCRETE ENTRANCES
• EXISTING CONCRETE GETS PROPOSED CONCRETE TO EDGE OF PAVEMENT



SECTION C-C
• SEE CROSS SECTIONS FOR SLOPE
• OMIT AT CONCRETE ENTRANCES
• EXISTING CONCRETE GETS PROPOSED CONCRETE TO EDGE OF PAVEMENT

TYPE OF ENTRANCE	EXISTING MATERIAL	NEW ENTRANCE MATERIAL (DESIGNATED AS REPLACE IN-KIND)					
		PCC DRIVEWAY PAVEMENT (6")	PCC DRIVEWAY PAVEMENT (8")	INCIDENTAL BITUMINOUS CONC SURFACING, (3")	AGGREGATE BASE COURSE TYPE B (8")	AGGREGATE SURFACE COURSE TYPE B (6")	AGGREGATE SURFACE COURSE TYPE B (8")
PRIVATE	CONCRETE	X					
	BITUMINOUS AGGREGATE			X	X		
COMMERCIAL SIDE ROAD	CONCRETE		X			X	
	BITUMINOUS AGGREGATE			X	X		
FIELD	DIRT					X	X
	AGGREGATE					X	

REVISIONS	
NAME	DATE

ILLINOIS DEPARTMENT OF TRANSPORTATION
MISC. DETAILS
FAP ROUTE 809 (IL RTE. 158)
SECTION (133, 134RS-5, 135RS-6)
ST. CLAIR COUNTY

SCALE: VERT. _____
HORIZ. _____
DATE _____ DRAWN BY _____
CHECKED BY _____

PLOT DATE = 8/7/2009
 FILE NAME = c:\pwworkspace\pwworkspace\133134RS-5,135RS-6.dwg
 PLOT SCALE = 1/8" = 1'-0"
 REFERENCE = 809A