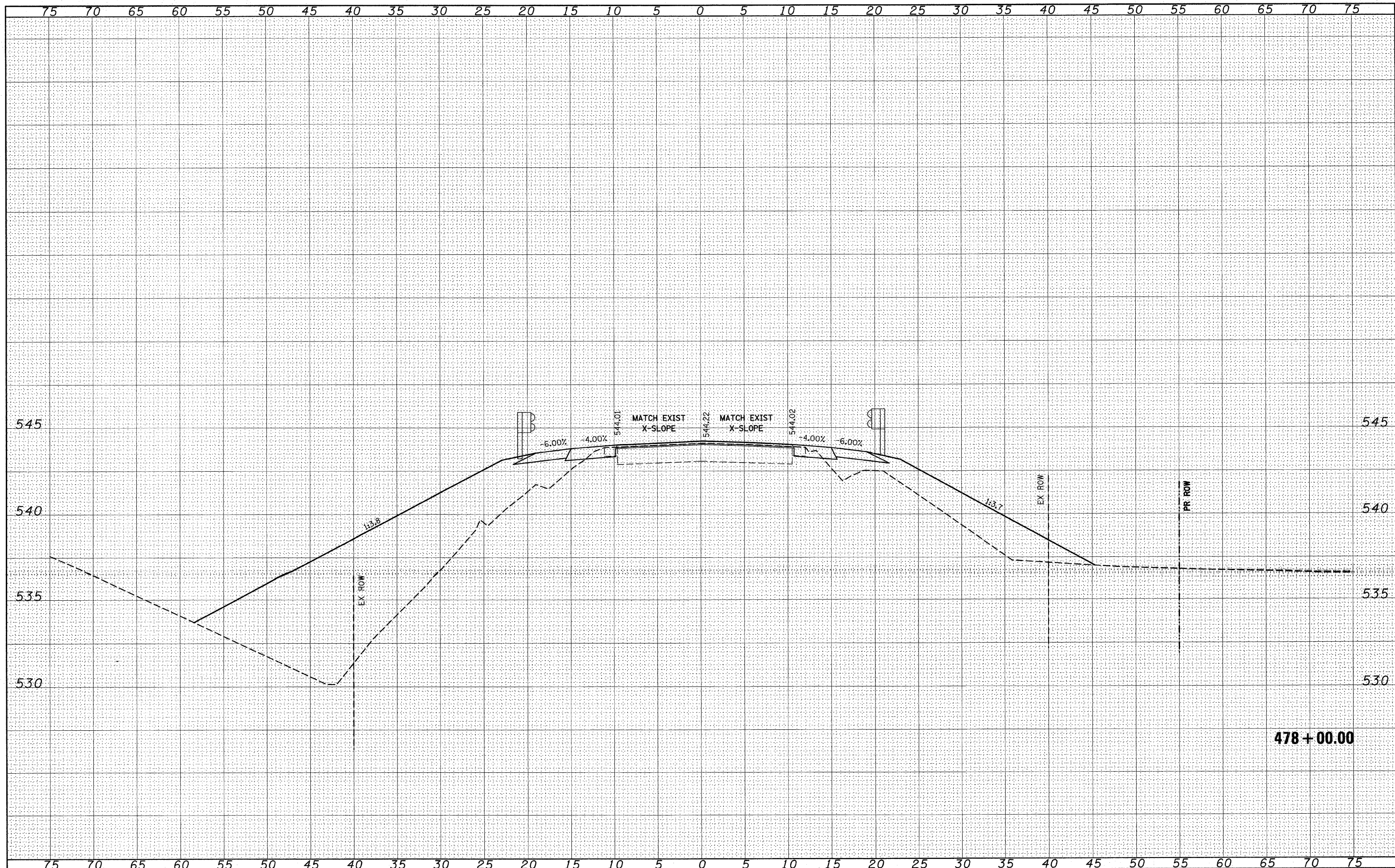


FINAL SURVEY	BY	DATE
CHECKED		
PLOTTED		
TEMPLATE		
AREAS		
AREAS CHECKED		
NO.		

ORIGINAL SURVEY	BY	DATE
CHECKED		
PLOTTED		
TEMPLATE		
AREAS		
AREAS CHECKED		
NO.		



FILE NAME =	USER NAME = #USER#	DESIGNED -	REVISED -	STATE OF ILLINOIS DEPARTMENT OF TRANSPORTATION	158 CROSS SECTIONS		F.A.P. RTE. 809	SECTION (133,134)RS-5, 135RS-6	COUNTY ST. CLAIR	TOTAL SHEETS 762	SHEET NO. 504	
#FILE1.#		DRAWN -	REVISED -		SCALE: _____	SHEET NO. ___ OF ___ SHEETS	STA. 478+00.00 TO STA. 478+00.00	ILLINOIS FED. AID PROJECT				
		CHECKED -	REVISED -		CONTRACT NO. 76A47							
		DATE -	REVISED -									