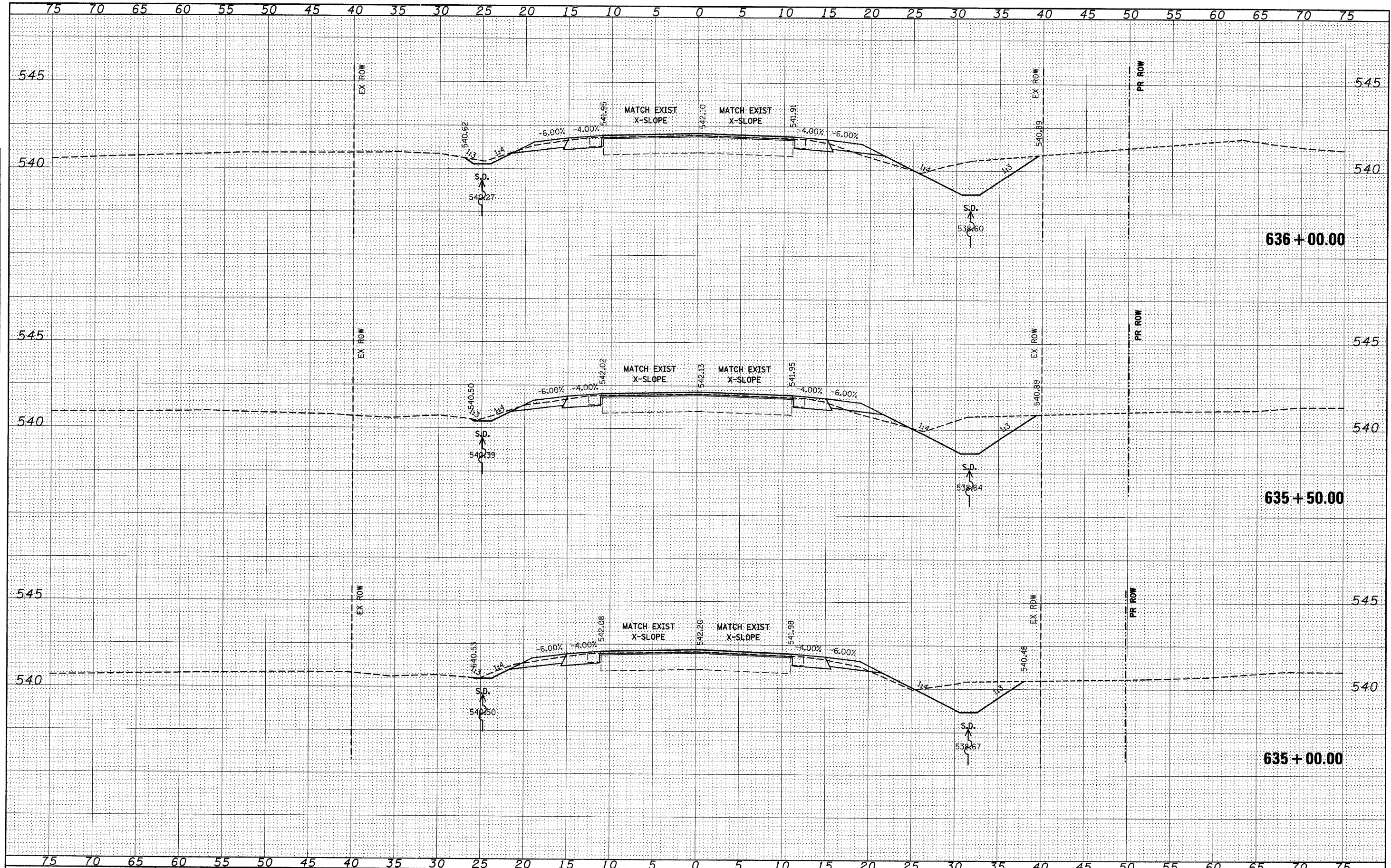


DATE	
BY	
FINAL SURVEY	SURVEYED
NOTE BOOK	PLOTTED
NO.	TEMPLATE
	AREAS CHECKED

DATE	
BY	
ORIGINAL SURVEY	SURVEYED
NOTE BOOK	PLOTTED
NO.	TEMPLATE
	AREAS CHECKED



FILE NAME =	USER NAME = #USER#	DESIGNED -	REVISED -	<b>STATE OF ILLINOIS</b> <b>DEPARTMENT OF TRANSPORTATION</b>	<b>IL 158</b>	F.A.P. RTE.	SECTION	COUNTY	TOTAL SHEETS	SHEET NO.	
#FILE#		DRAWN -	REVISED -			809	(133,134)RS-5, 135RS-6	ST. CLAIR	762	661	
		CHECKED -	REVISED -			CONTRACT NO. 76A47					
		DATE -	REVISED -			ILLINOIS FED. AID PROJECT					
PLOT SCALE = #SCALE#		DATE		SCALE: _____ SHEET NO. ___ OF ___ SHEETS		STA. 635+00.00 TO STA. 636+00.00					