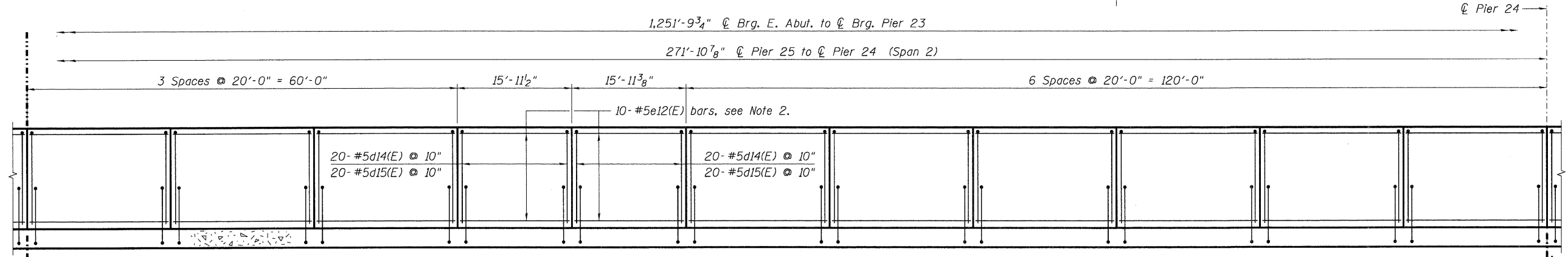
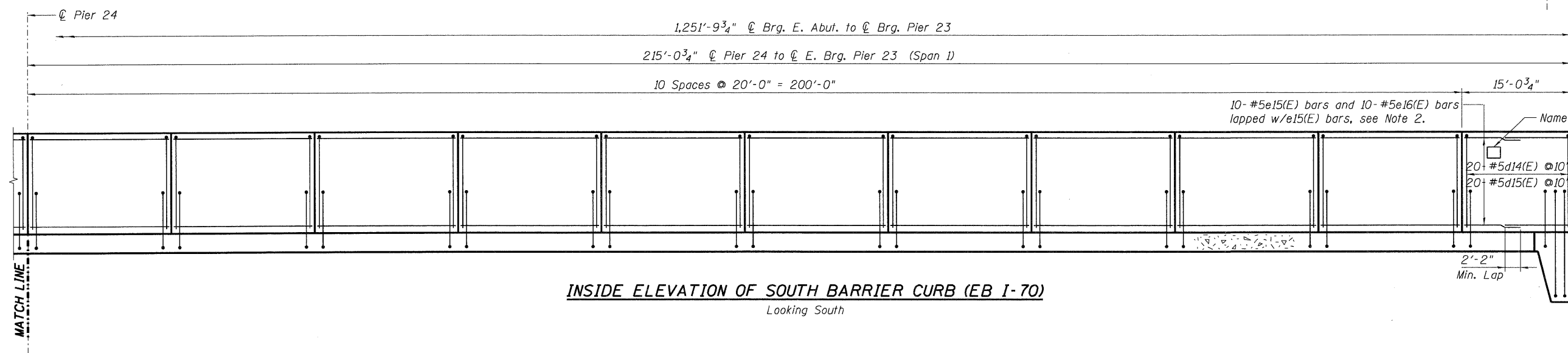


INSIDE ELEVATION OF SOUTH BARRIER CURB (EB I-70)
Looking South



INSIDE ELEVATION OF SOUTH BARRIER CURB (EB I-70)
Looking South



INSIDE ELEVATION OF SOUTH BARRIER CURB (EB I-70)
Looking South

dimensions measured along Outside Face of Barrier Curb (Typ.)

For details of barrier curb panel west of Pier 23, see Sht. S-42.
Blockout for joint, see Sht. S-45

NOTE:
See Sht. S-35 for Notes.

08220318-CONN-05-002-SUDDON... 08220318-CONN-05-002-SUDDON... 08220318-CONN-05-002-SUDDON... 08220318-CONN-05-002-SUDDON...
 6-03-2016, 10:43:12
 BONDHULLO \\F5-0044\ARM\VAULT_D-TRANS_07\2202_20666-001\STRUCT\CAD\01\DESIGN\08220318\08220318-CONN-05-109-SHT-SUDDON

FILE NAME =
#FILE#

TENG TENG & ASSOCIATES, INC.
ENGINEERS/ARCHITECTS/PLANNERS
CHICAGO, ILLINOIS

USER NAME = #USER#
DESIGNED - JLR
DRAWN - FD
CHECKED - TCU
DATE - 06/04/10

PLOT SCALE = #SCALE#
PLOT DATE = #DATE#

REVISED -
REVISED -
REVISED -
REVISED -

STATE OF ILLINOIS
DEPARTMENT OF TRANSPORTATION
I-70 CONNECTION OVER
NS, TRRA, MCT AND INDUSTRIAL DR.

PARAPET ELEVATIONS EB I-70
4 OF 4

SCALE: SHEET NO. S-37 OF S-111 STA. 134+22.00 TO STA.

F.A.P. RTE.	SECTION	COUNTY	TOTAL SHEETS	SHEET NO.
998	B2-2-IHV8	ST. CLAIR	285	147
SN 082-0318 (EB) & 0319 (WB)			CONTRACT NO. 76C44	
FED. ROAD DIST. NO. [ILLINOIS] FED. AID PROJECT				