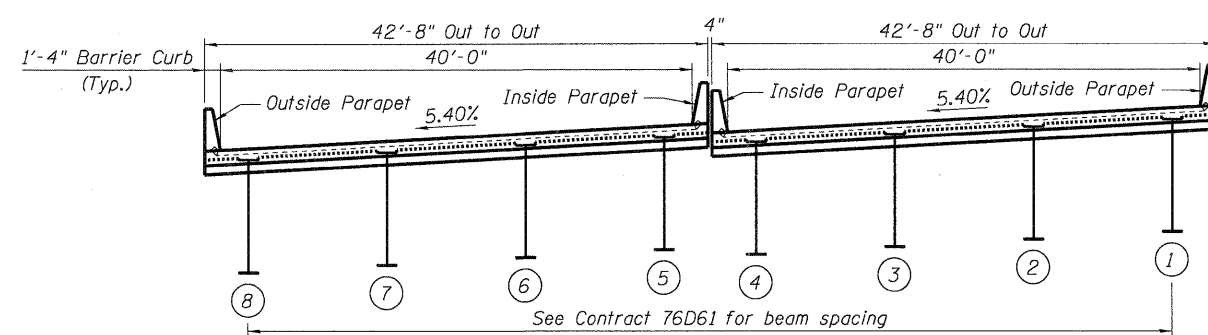
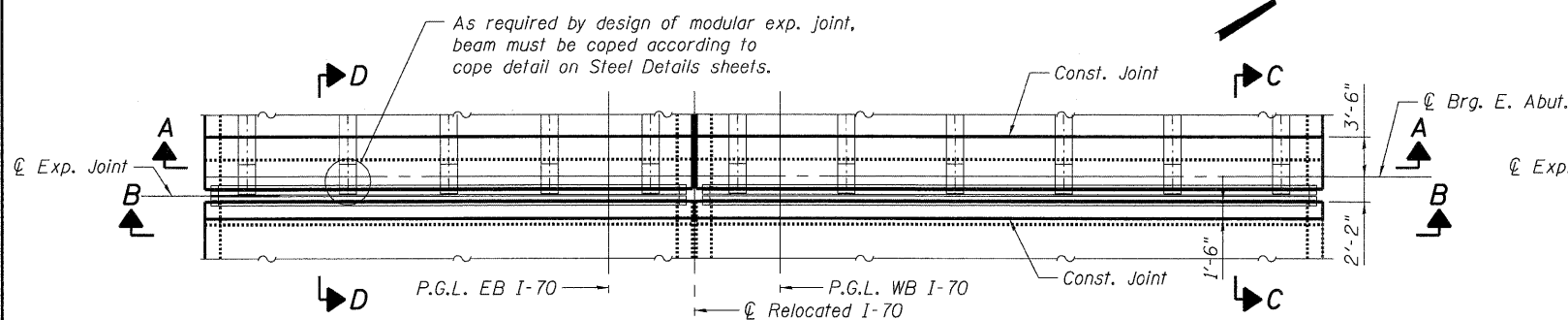


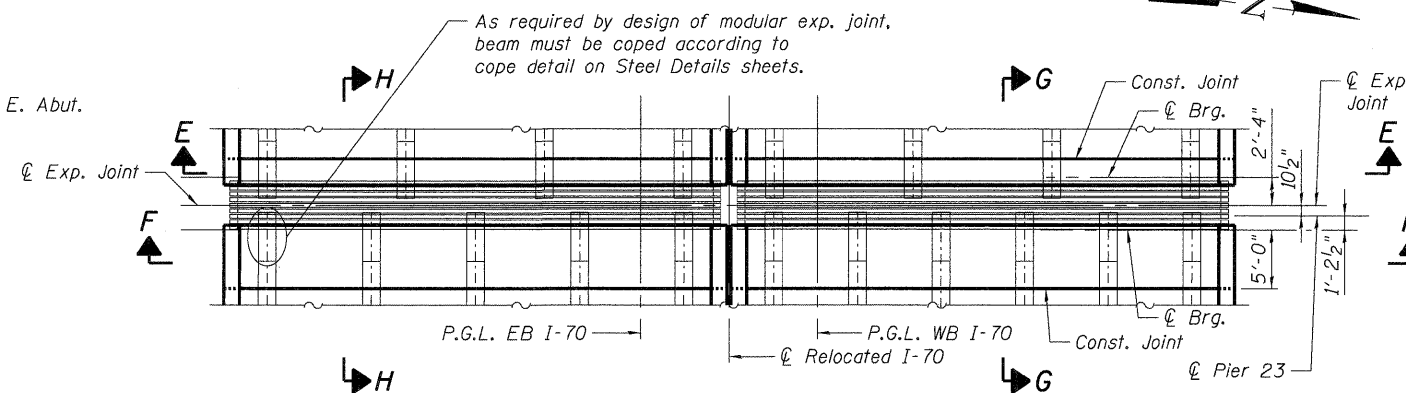
SECTION A-A
Looking West



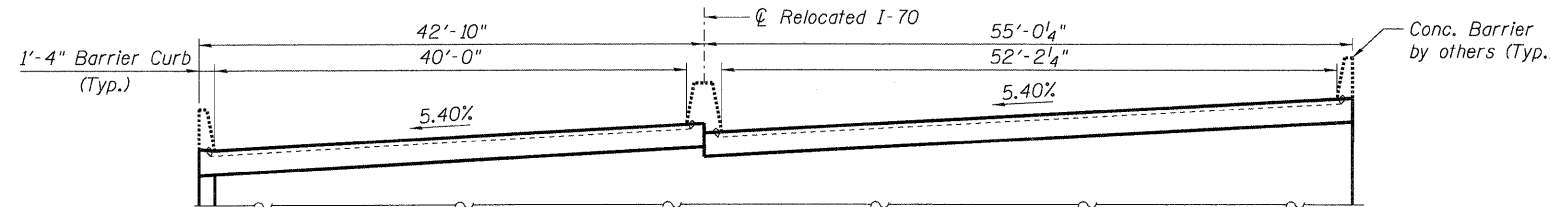
SECTION E-E
Looking West



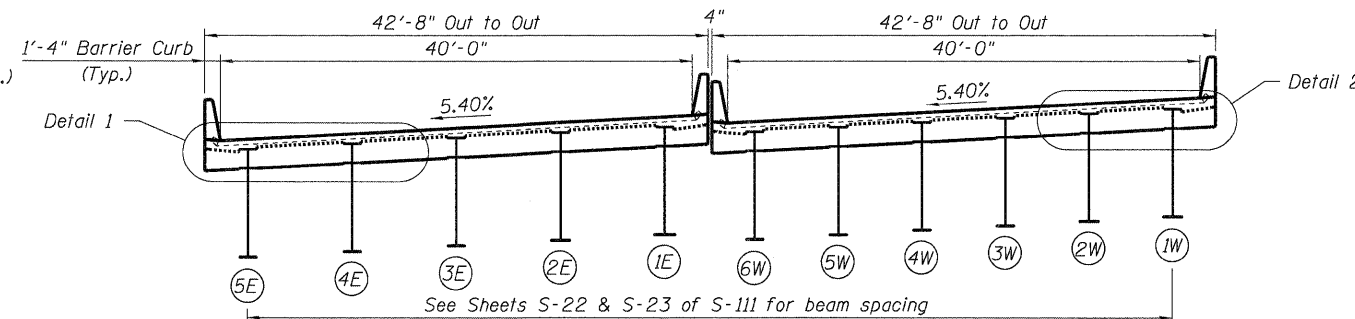
DECK PLAN AT EAST ABUTMENT



DECK PLAN AT PIER 23



SECTION B-B
Looking West



SECTION F-F
Looking West

REQUIRED MOVEMENT

(AASHTO LOAD COMBINATION SERVICE I)

Item	East Abutment	Pier 23
Total longitudinal (open/close) movement	8 1/2"	24"
Total transverse (wrecking) movement	1"	1"
Maximum longitudinal break about ϕ joint	0.0033 Rad	0.0066 Rad

BILL OF MATERIAL

ITEM	UNIT	TOTAL
Modular Expansion Joint - Swivel 9"	Foot	92.5
Modular Expansion Joint - Swivel 24"	Foot	80.0

NOTES:

1. Work this sheet with Sheets S-22 through S-47.
2. The expansion joint device shall be a prefabricated modular assembly with multiple support bars and separator beams, providing a continuous seal across the deck. The device shall be capable of accommodating differential (non-parallel) open/close movements and transverse (wrecking) movements. The design concept shall have been tested successfully under dynamic conditions representative of seismic demands.
3. Joint longitudinal opening shall be adjusted according to Article 520.04 of the Standard Specifications when the end of the deck is cast at an ambient temperature other than 50° F.
4. The opposing sides of the joint assembly shall be positioned with respect to the face of parapet on each deck as shown in the plans. At 50° F, the opposing sides of the joint assembly shall be aligned transversely. The neoprene strip seals shall be secured in place with the opposing sides of the joint aligned transversely.
5. Concrete in end of the deck to be placed after the Modular Joint is fixed in position.
6. Modular expansion joints shall be assembled in their final relative position with the ends in place for shop inspection and acceptance.
7. For sections C-C, D-D, G-G & H-H, see Sht. S-45.

FILE NAME = \0820318-CONN-05-003-SULCON...0820318-CONN-05-003-SULCON
 #FILE#
 6-03-2010 10:44:25
 TENG & ASSOCIATES, INC.
 ENGINEERS/ARCHITECTS/PLANNERS
 CHICAGO, ILLINOIS

FILE NAME =	USER NAME = #USER#	DESIGNED - TCG	REVISED -	STATE OF ILLINOIS DEPARTMENT OF TRANSPORTATION I-70 CONNECTION OVER NS, TRRA, MCT AND INDUSTRIAL DR.	MODULAR EXPANSION JOINT 1 OF 4	F.A.P. RTE. 998	SECTION 82-2-IHVB	COUNTY ST. CLAIR	TOTAL SHEETS 285	SHEET NO. 154
#FILE#	PLOT SCALE = #SCALE#	DRAWN - TCG	REVISED -			SN 082-0318 (EB) & 0319 (WB)	CONTRACT NO. 76C44			
TENG & ASSOCIATES, INC.	PLOT DATE = #DATE#	CHECKED - TCU	REVISED -			FED. ROAD DIST. NO.	ILLINOIS FED. AID PROJECT			
DATE - 06/04/10	REVISED -	SCALE:	SHEET NO. S-44 OF S-111			STA. 134+22.00 TO STA.				