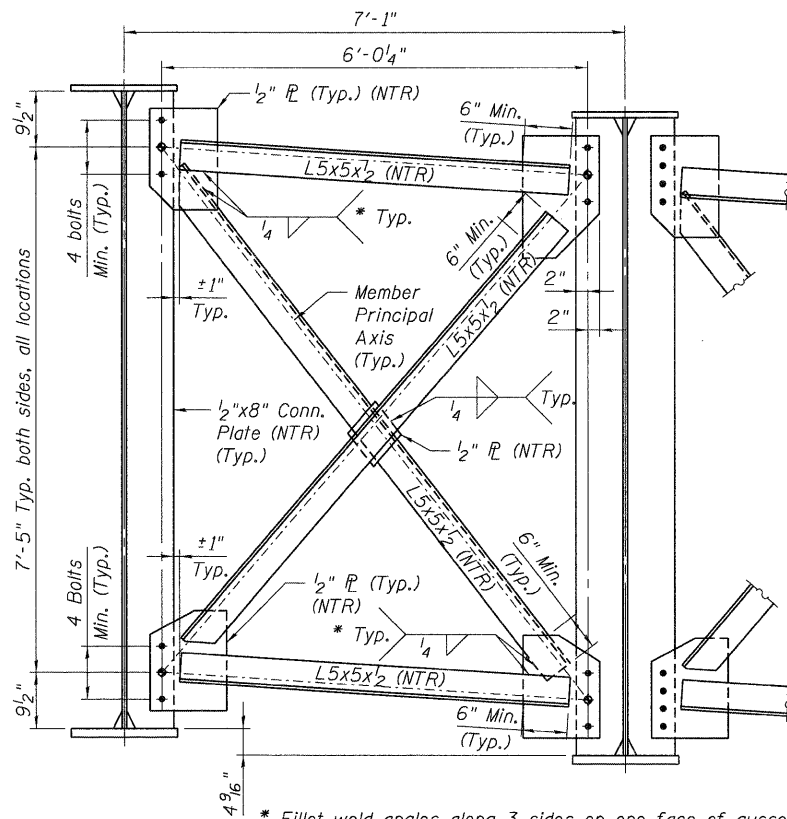


D5 - CROSS FRAME AT PIER 23

(5 thus)

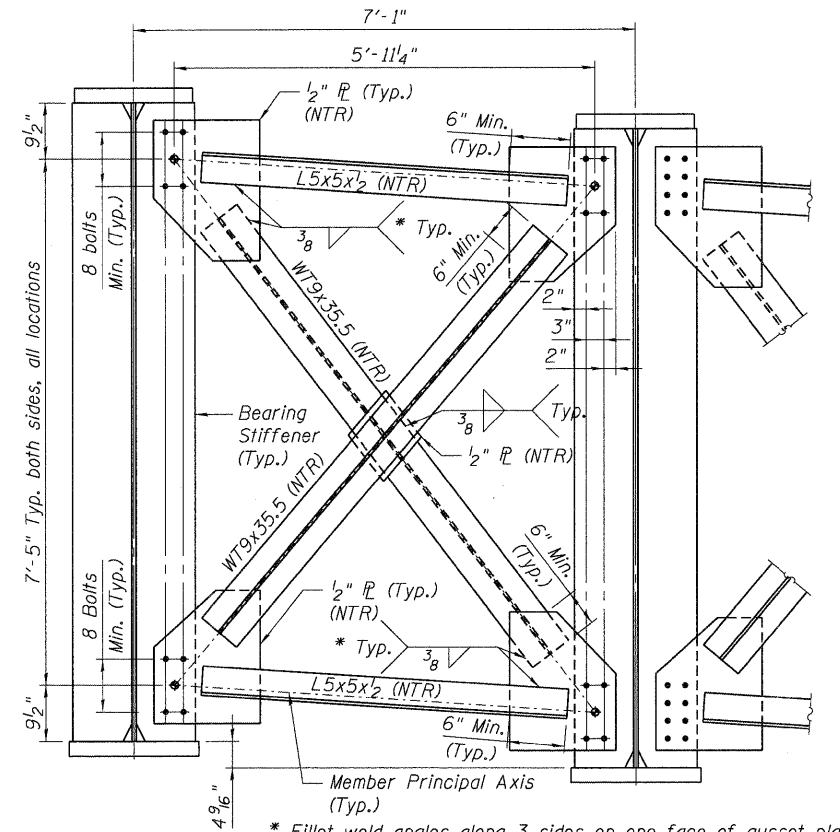
* Fillet weld tees along 3 sides on one face of gusset plate.



D6 - TYPICAL INTERIOR CROSS FRAME

(125 thus)

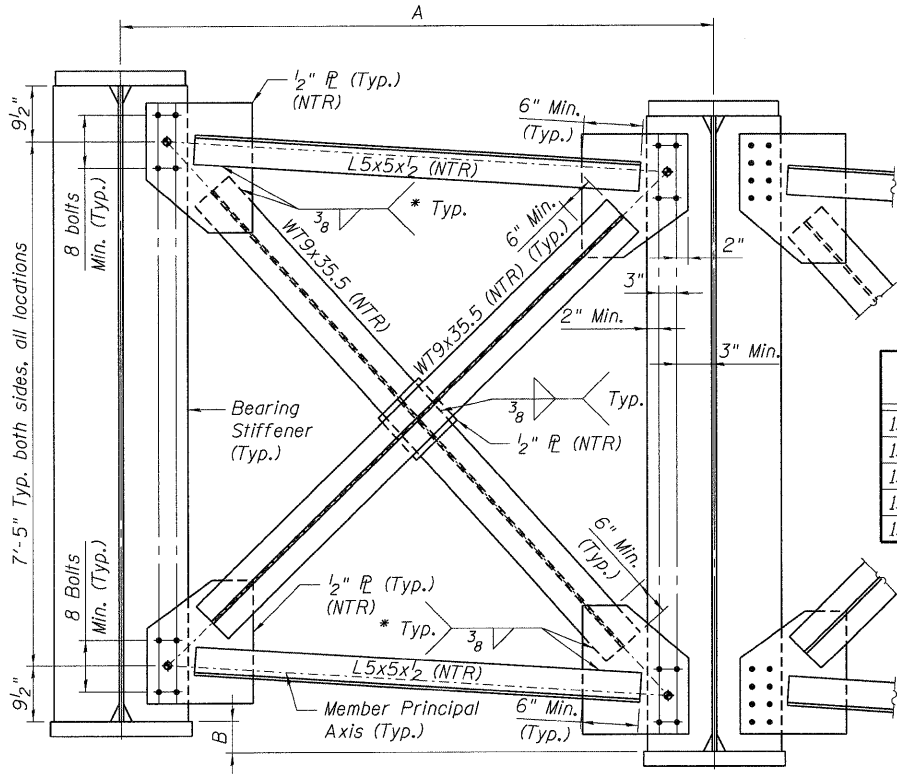
* Fillet weld angles along 3 sides on one face of gusset plate.



D7 - CROSS FRAME AT PIERS 24 & 25

(10 thus)

* Fillet weld angles along 3 sides on one face of gusset plate.



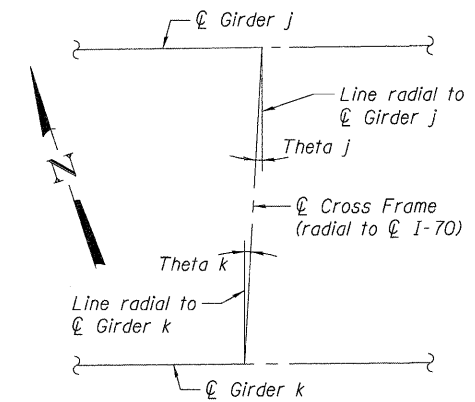
D8 - CROSS FRAME AT PIER 26

(5 thus)

* Fillet weld angles along 3 sides on one face of gusset plate.

D8 CROSS FRAME DIMENSIONS

Station	Bay [j-k]	A	B	Theta j [deg.]	Theta k [deg.]
135+61.00	1-2	8'-3"	5 3/8"	1.65	1.29
135+61.00	2-3	8'-3 13/16"	5 3/8"	1.29	0.94
135+61.00	3-4	8'-4 9/16"	5 7/16"	0.94	0.61
135+61.00	4-5	8'-5 5/16"	5 1/2"	0.61	0.30
135+61.00	5-6	8'-5 5/16"	5 1/2"	0.30	0.00



CROSS FRAME PLAN VIEW

Note: Cross Frame - Girder skew measured in degrees.

◆ Centroid of bolt group and workpoint of member principal axes

NOTE:

See Sht. S-67 for notes.

\\FS-0244\AM\VALLE\I-D-TRANS_07\2202_20866-001\STRUCT\CAD\01 DESIGN\0820318\SHEET_0820318-CONN-05-082-SHT-GD.DGN
 \\FS-0244\AM\VALLE\I-D-TRANS_07\2202_20866-001\STRUCT\CAD\01 DESIGN\0820318\SHEET_0820318-CONN-05-082-SHT-GD.DGN
 \\FS-0244\AM\VALLE\I-D-TRANS_07\2202_20866-001\STRUCT\CAD\01 DESIGN\0820318\SHEET_0820318-CONN-05-082-SHT-GD.DGN
 \\FS-0244\AM\VALLE\I-D-TRANS_07\2202_20866-001\STRUCT\CAD\01 DESIGN\0820318\SHEET_0820318-CONN-05-082-SHT-GD.DGN
 \\FS-0244\AM\VALLE\I-D-TRANS_07\2202_20866-001\STRUCT\CAD\01 DESIGN\0820318\SHEET_0820318-CONN-05-082-SHT-GD.DGN