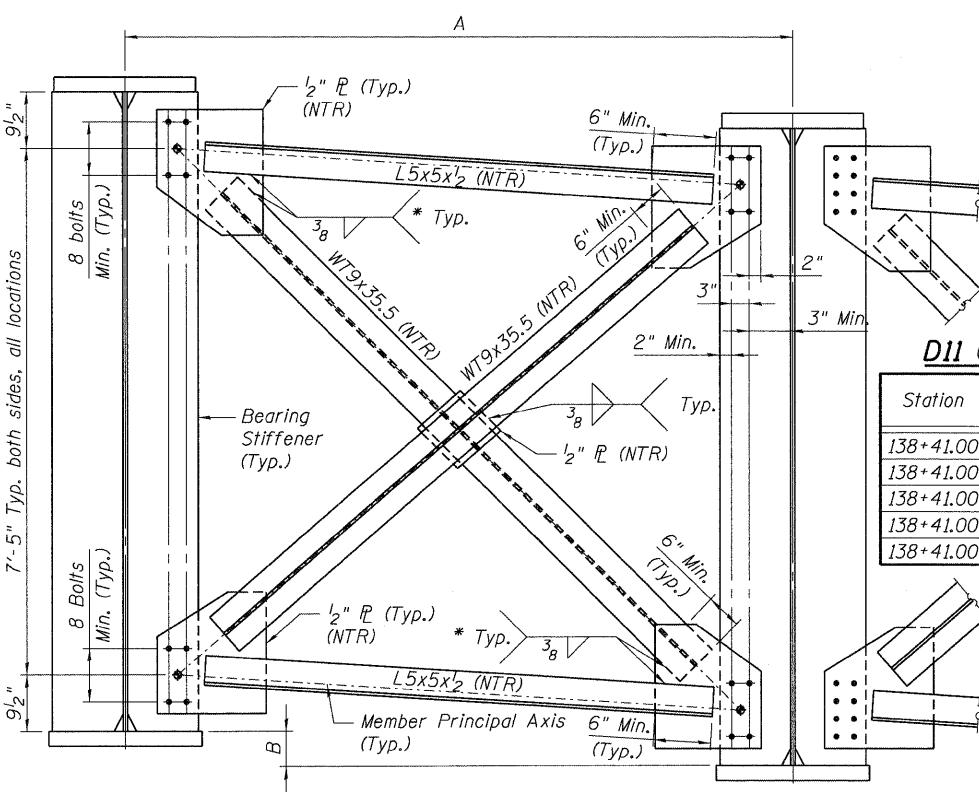


D12 & D12A CROSS FRAME DIMENSIONS

Station	Bay [j-k]	A	B	Theta j [deg.]	Theta k [deg.]
138+55.22	1-2	9'-5 3/8"	6 1/8"	0.40	0.31
138+55.22	2-3	9'-5 7/16"	6 1/8"	0.31	0.23
138+55.22	3-4	9'-5 1/16"	6 1/8"	0.23	0.15
138+55.22	4-5	9'-5 1/2"	6 1/8"	0.15	0.07
138+55.22	5-6	9'-5 5/16"	6 1/8"	0.07	0.00
138+69.44	1-2	9'-5 5/8"	6 1/8"	0.34	0.26
138+69.44	2-3	9'-5 5/16"	6 1/8"	0.26	0.19
138+69.44	3-4	9'-5 1/16"	6 1/8"	0.19	0.13
138+69.44	4-5	9'-5 1/2"	6 1/8"	0.13	0.06
138+69.44	5-6	9'-5 3/4"	6 1/8"	0.06	0.00
138+93.00	1-2	9'-5 5/16"	6 1/8"	0.24	0.18
138+93.00	2-3	9'-5 5/8"	6 1/8"	0.18	0.13
138+93.00	3-4	9'-6"	6 1/8"	0.13	0.09
138+93.00	4-5	9'-6"	6 1/8"	0.09	0.04
138+93.00	5-6	9'-6"	6 1/8"	0.04	0.00
139+17.28	1-2	9'-6 1/8"	6 3/16"	0.13	0.10
139+17.28	2-3	9'-6 3/16"	6 3/16"	0.10	0.08
139+17.28	3-4	9'-6 3/16"	6 3/16"	0.08	0.05
139+17.28	4-5	9'-6 3/8"	6 3/16"	0.05	0.02
139+17.28	5-6	9'-6 3/16"	6 3/16"	0.02	0.00
139+41.57	1-2	9'-6 1/4"	6 3/16"	0.03	0.02
139+41.57	2-3	9'-6 1/4"	6 3/16"	0.02	0.02
139+41.57	3-4	9'-6 1/4"	6 3/16"	0.02	0.01
139+41.57	4-5	9'-6 1/4"	6 3/16"	0.01	0.01
139+41.57	5-6	9'-6 1/4"	6 3/16"	0.01	0.00

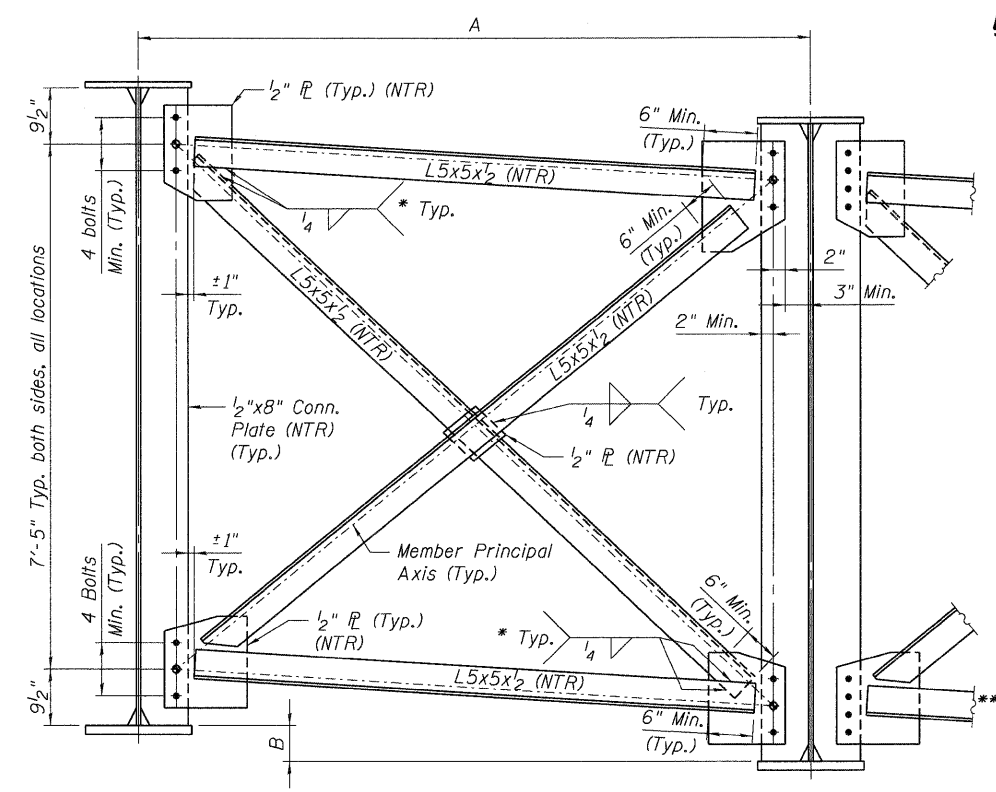
*** D12A similar to D12, except all connection plates shall have 5 bolts, min.



D11 CROSS FRAME DIMENSIONS

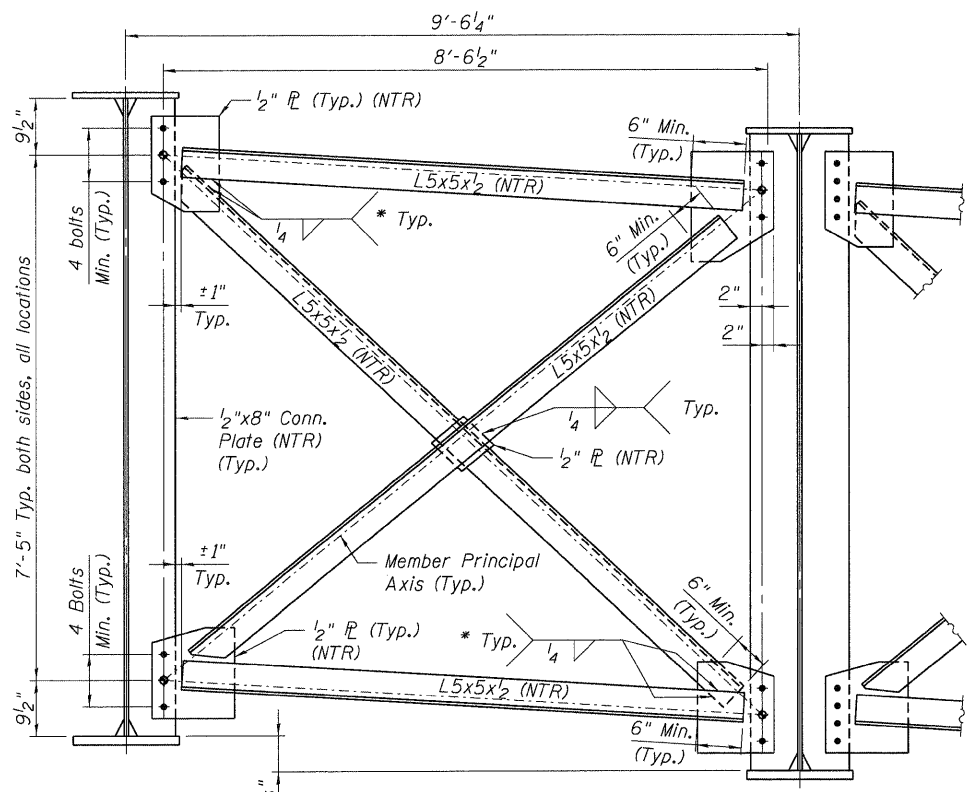
Station	Bay [j-k]	A	B	Theta j [deg.]	Theta k [deg.]
138+41.00	1-2	9'-5 1/16"	6 1/8"	0.46	0.36
138+41.00	2-3	9'-5 1/8"	6 1/8"	0.36	0.26
138+41.00	3-4	9'-5 3/16"	6 1/8"	0.26	0.17
138+41.00	4-5	9'-5 1/4"	6 1/8"	0.17	0.08
138+41.00	5-6	9'-5 5/16"	6 1/8"	0.08	0.00

* Fillet weld angles along 3 sides on one face of gusset plate.
D11 - CROSS FRAME AT PIER 27
(5 thus)

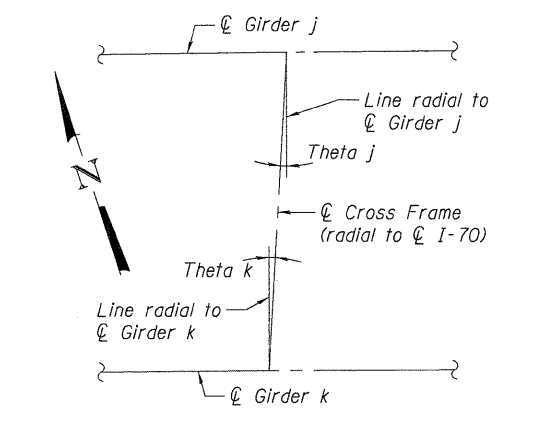


* Fillet weld angles along 3 sides on one face of gusset plate.
D12 - TYPICAL INTERIOR CROSS FRAME
(24 thus)

D12A - TYPICAL INTERIOR CROSS FRAME
(1 thus)

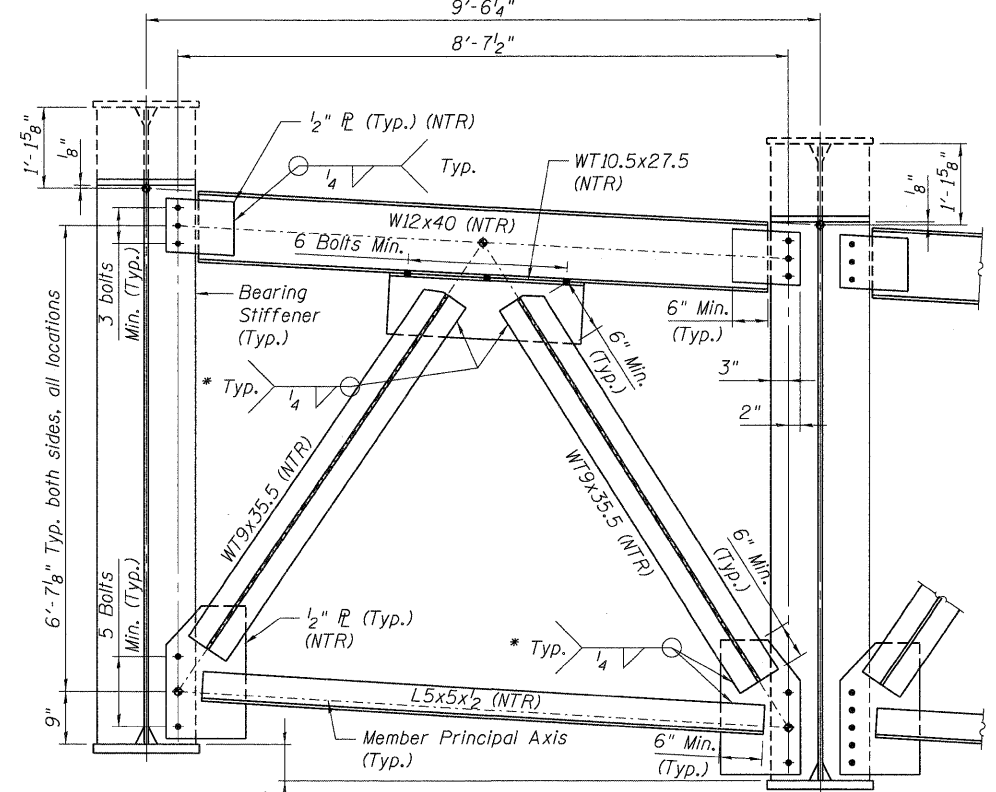


* Fillet weld angles along 3 sides on one face of gusset plate.
D13 - TYPICAL INTERIOR CROSS FRAME
(18 thus)



Note: Cross Frame - Girder skew measured in degrees.

** D13A similar to D13, except all connection plates shall have 5 bolts, min.
D13A - TYPICAL INTERIOR CROSS FRAME
(2 thus)



* Fillet weld tees along 3 sides on one face of gusset plate.
D14 - CROSS FRAME AT E. ABUT.
(5 thus)

◆ Centroid of bolt group and workpoint of member principal axes
NOTE:
See Sht. S-67 for notes.

082318-CONN-05-001-G0.DGN 082318-CONN-05-001-00.DGN 082318-CONN-05-001-00.DGN
 082318-CONN-05-001-G0.DGN 082318-CONN-05-001-00.DGN 082318-CONN-05-001-00.DGN
 BONDHUJOD \S-004\VAULT-D-TRANS-07-X2202-2008-001\STRUCT-CAD-01 DESIGN\082318\SHEET\082318-CONN-05-001-SHT-G0.DGN