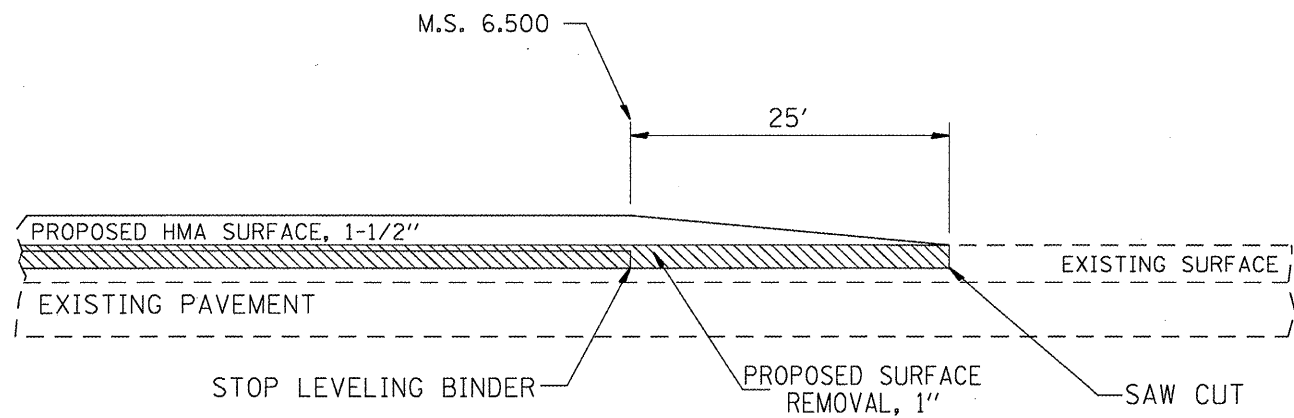
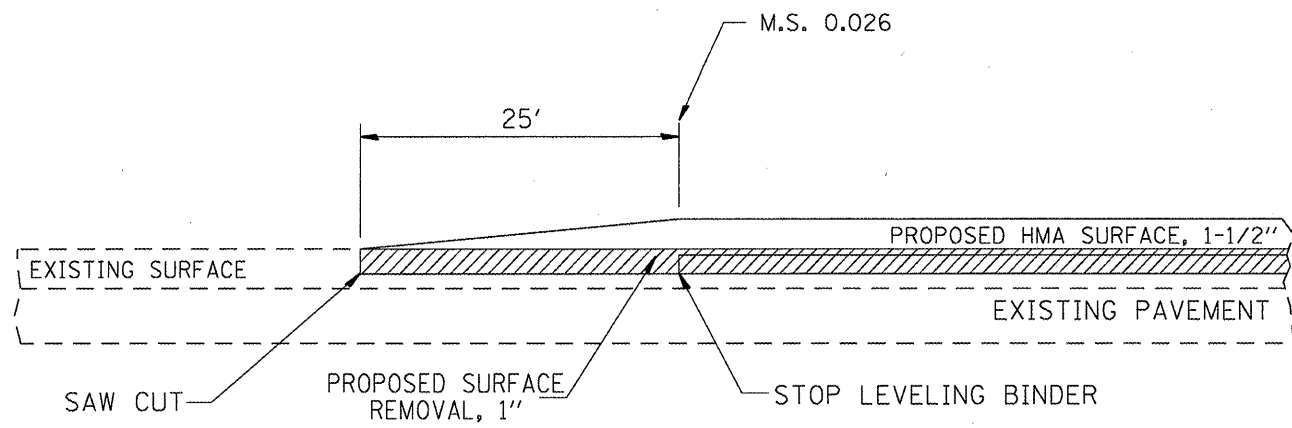
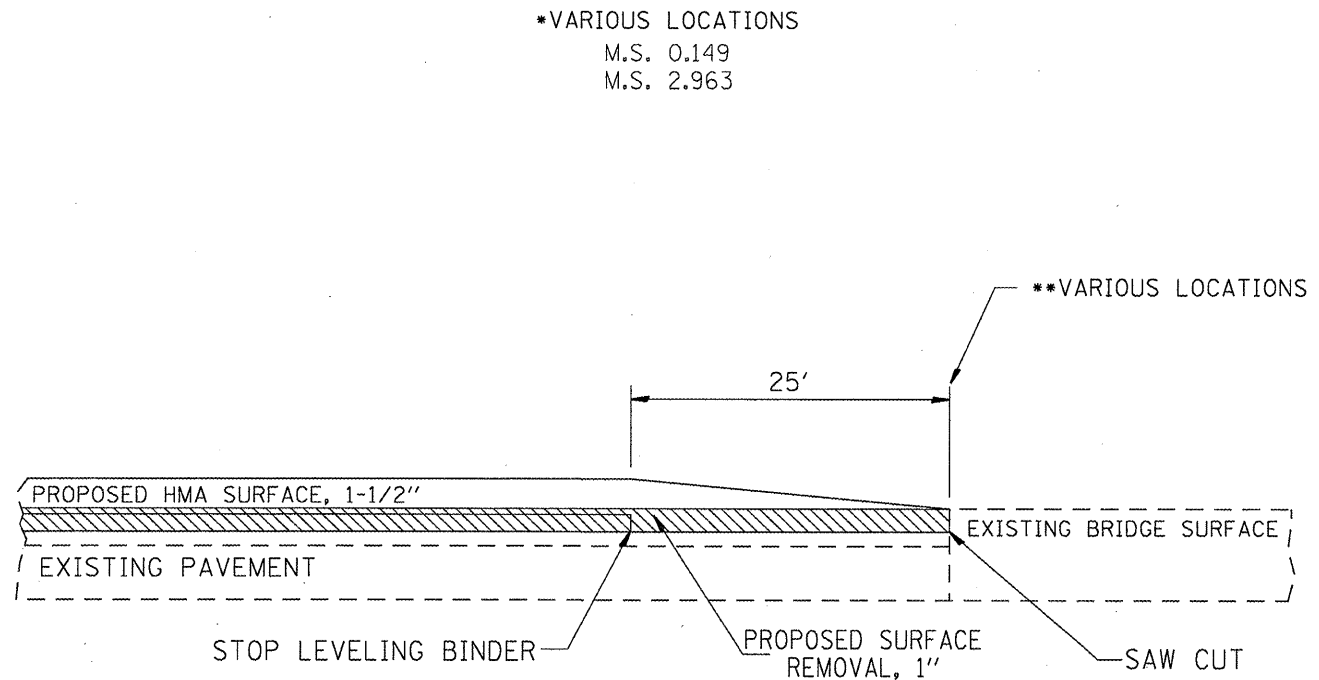
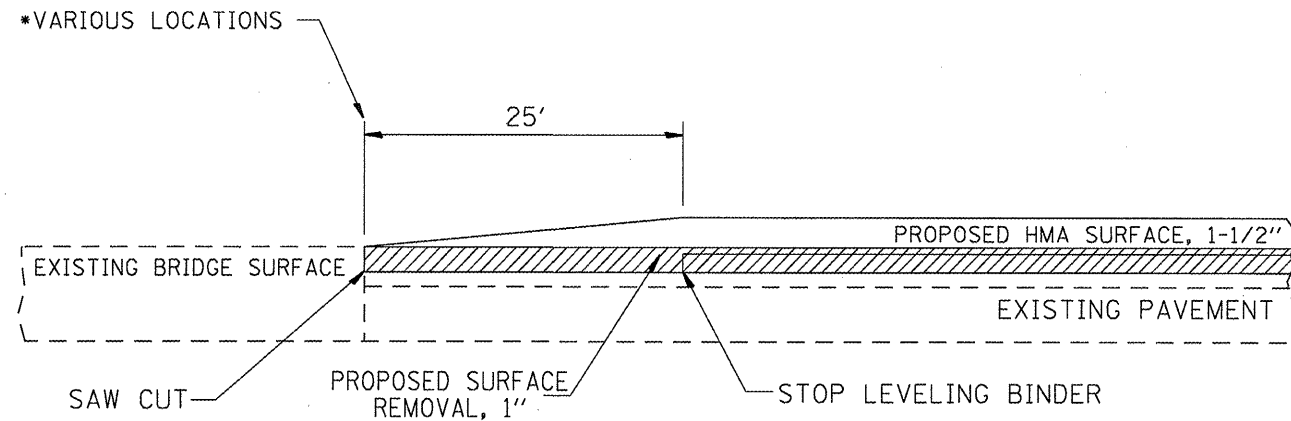


RESURFACING DETAIL



RESURFACING DETAIL



*VARIOUS LOCATIONS
M.S. 0.149
M.S. 2.963

**VARIOUS LOCATIONS
M.S. 0.276
M.S. 3.003

FILE NAME =	USER NAME = #USER#	DESIGNED -	REVISED -
#FILE#		DRAWN -	REVISED -
	PLOT SCALE = #SCALE#	CHECKED -	REVISED -
	PLOT DATE = #DATE#	DATE -	REVISED -

STATE OF ILLINOIS
DEPARTMENT OF TRANSPORTATION

RESURFACING DETAILS

SCALE: SHEET NO. OF SHEETS STA. TO STA.

F.A.P. RTE.	SECTION	COUNTY	TOTAL SHEETS	SHEET NO.
329	20RS-4(20-2,19)RS-3	RANDOLPH	19	18
FED. ROAD DIST. NO. ILLINOIS FED. AID PROJECT			CONTRACT NO. 76D36	