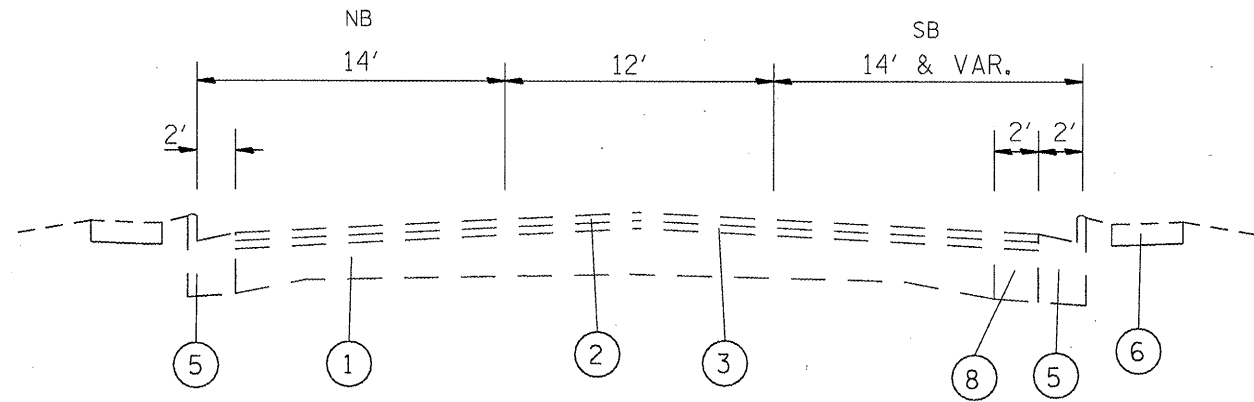
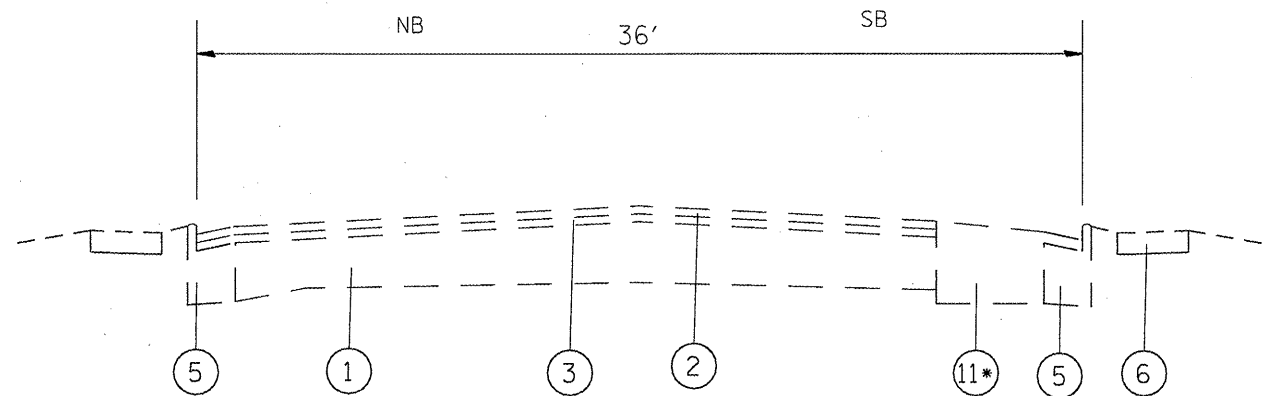


EXISTING TYPICAL SECTION  
STA. 364+10 TO STA. 387+50

- 9 = STA. 366+29 - 373+74  
STA. 374+10 - 386+08
- 12 = STA. 366+23 - 366+29  
STA. 373+74 - 373+80  
STA. 374+04 - 374+10  
STA. 386+08 - 386+14

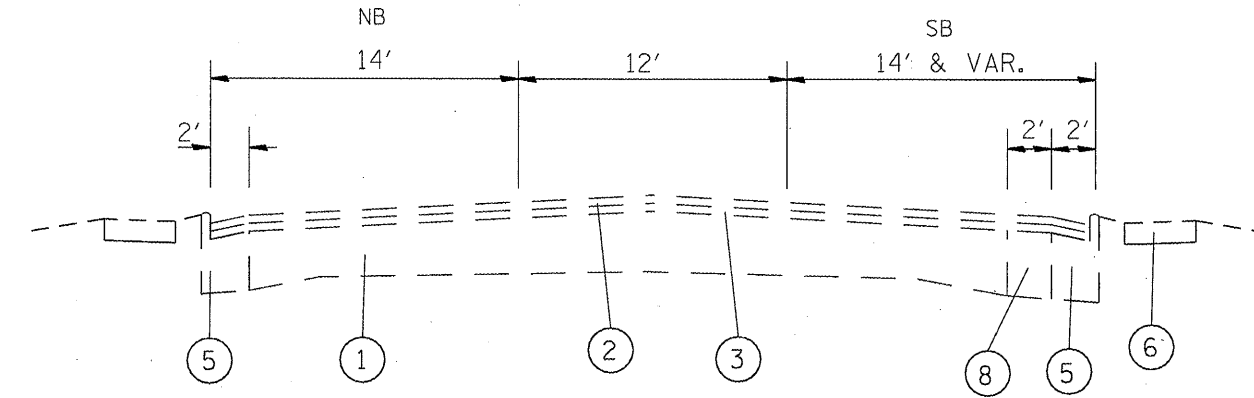


EXISTING TYPICAL SECTION  
STA. 387+50 TO STA. 390+30



EXISTING TYPICAL SECTION  
STA. 395+40 TO STA. 402+59

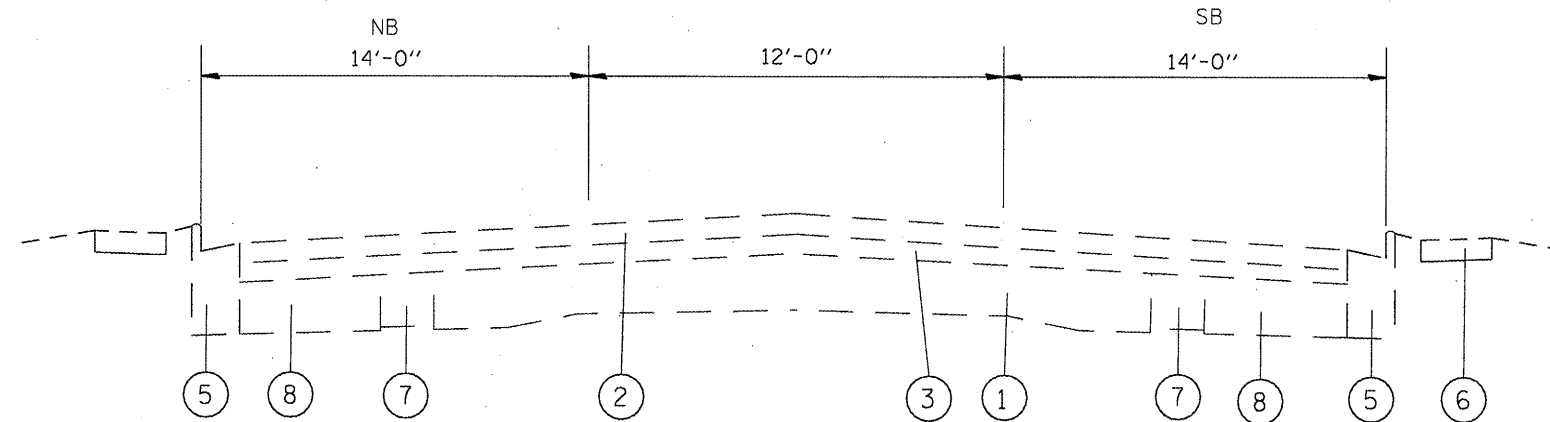
\*STA. 400+14 - 400+19



EXISTING TYPICAL SECTION  
STA. 390+30 TO STA. 395+40

**LEGEND**

- ① EXISTING PCC PAVEMENT, 9"-7"-9"
- ② EXISTING HMA SURFACE COURSE, MIX D, CLASS I, TYPE 2, 1 1/2"
- ③ EXISTING HMA BINDER COURSE, MIX B, TYPE 2, 2 1/4" & VAR.
- ④ EXISTING CCC&G, TYPE B-6.18
- ⑤ EXISTING CCC&G, TYPE B-6.24
- ⑥ EXISTING SIDEWALK
- ⑦ EXISTING PCC BASE COURSE WIDENING, 8"
- ⑧ EXISTING PCC BASE COURSE WIDENING, 9"
- ⑨ EXISTING PCC BASE COURSE WIDENING, 10 1/2"
- ⑩ EXISTING HMA SURFACE COURSE MIX "D" N90, 2"
- ⑪ EXISTING CLASS "C" PATCH, 10 1/2"
- ⑫ EXISTING CLASS "D" PATCH, 14"



EXISTING TYPICAL SECTION  
STA. 402+59 TO 403+36

FILE NAME =	USER NAME = #USER#	DESIGNED -	REVISOR -
#FILE#		DRAWN -	REVISOR -
	PLOT SCALE = #SCALE#	CHECKED -	REVISOR -
	PLOT DATE = #DATE#	DATE -	REVISOR -

STATE OF ILLINOIS  
DEPARTMENT OF TRANSPORTATION

EXISTING TYPICAL SECTIONS

F.A.P. RTE.	SECTION	COUNTY	TOTAL SHEETS	SHEET NO.
103	271-4	ST. CLAIR	24	5
FED. ROAD DIST. NO. - ILLINOIS FED. AID PROJECT			CONTRACT NO. 76D97	

SCALE: \_\_\_\_\_ SHEET NO. \_\_\_ OF \_\_\_ SHEETS STA. \_\_\_\_\_ TO STA. \_\_\_\_\_