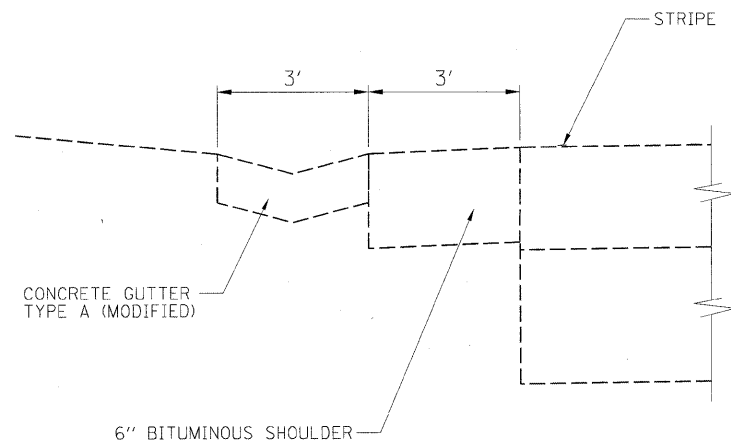
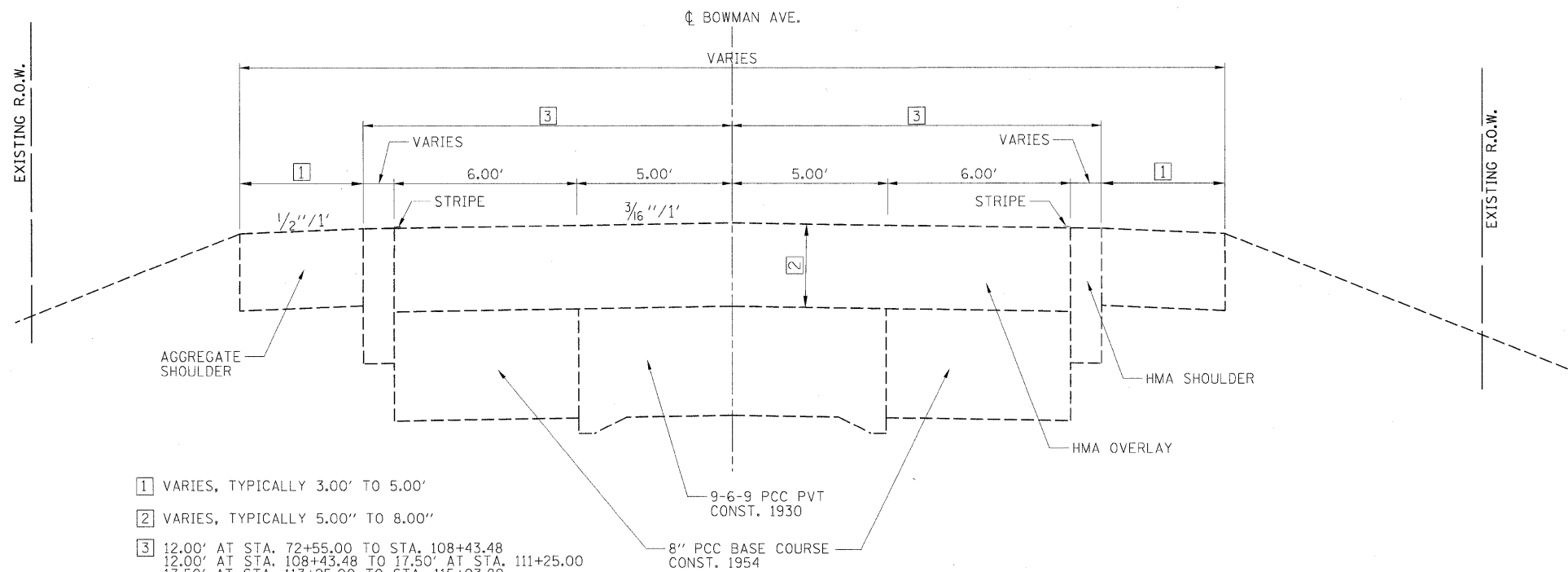


EXISTING TYPICAL SECTION
 ① STA. 69+50.00 TO STA. 72+55.00
 ② STA. 212+92.10 TO STA. 220+40.83



EXISTING GUTTER SECTION
 STA. 123+56.96 LT TO STA. 129+37.58 LT



INTERSECTION OMISSION - LIBERTY LANE
 STA. 115+03.89 TO STA. 116+51.07
 17.50' AT STA. 116+51.07 TO STA. 117+58.47
 17.50' AT STA. 117+58.47 TO 12.00' AT STA. 119+83.47
 12.00' AT STA. 119+83.47 TO STA. 13+34.44

STRUCTURE OMISSION #092-0186
 STA. 13+34.44 TO STA. 15+86.76
 12.00' AT STA. 15+86.76 TO STA. 168+83.84

EXISTING TYPICAL SECTION
 ② STA. 72+55.00 TO STA. 111+25.00
 ④ STA. 113+25.00 TO STA. 168+83.84

I:\08jobs\08L0221\CADD\Road\Sheet\090334\01PV\VC-500.txd USER NAME = Johns0044 PLOT SCALE = 5.0000' / in. PLOT DATE = 04/14/2010	DESIGNED - m.heyen	REVISED -	STATE OF ILLINOIS DEPARTMENT OF TRANSPORTATION	TYPICAL SECTIONS - BOWMAN AVE			F.A.S. RTE. 500	SECTION 09-00334-01-PV	COUNTY VERMILION	TOTAL SHEETS 69	SHEET NO. 6	
	DRAWN - r.johnson	REVISED -		SCALE: N.T.S. SHEET NO. OF SHEETS STA. TO STA.			JOB NO. C-95-330-10 CONTRACT NO. 91440					
	CHECKED - m.heyen	REVISED -		FED. ROAD DIST. NO. ILLINOIS FED. AID PROJECT								
	DATE - 3/26/2010	REVISED -										