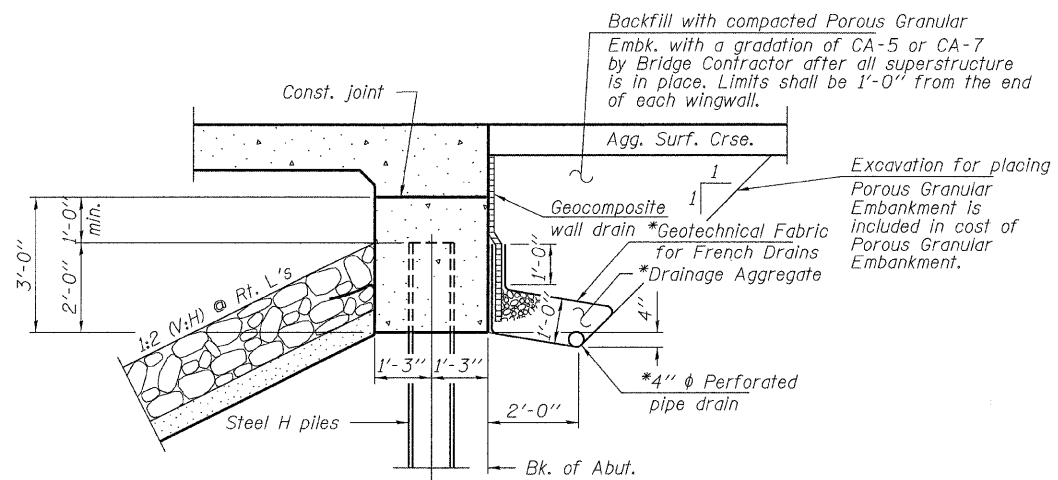
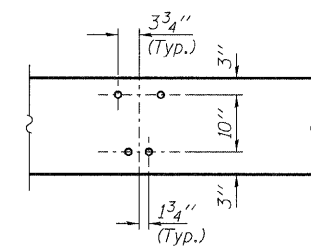


ELEVATION
Showing Rail Post Spaces
See sheet 15 for Railing Details.



SECTION THRU INTEGRAL ABUTMENT

(Horiz. dim. @ Rt. L's)
*Included in the cost of Pipe Underdrains for Structures, 4".



DETAIL A

DESIGNED - A.S.L.
CHECKED - M.G.B.
DRAWN - D.A.B.
CHECKED - M.G.B.

**SUPERSTRUCTURE DETAILS
STRUCTURE NO. 057-4814**

HAMPTON, LENZINI AND RENWICK, INC. CIVIL ENGINEERS • STRUCTURAL ENGINEERS • LAND SURVEYORS HLR 3085 STEVENSON DRIVE, SUITE 201 SPRINGFIELD, ILLINOIS 62703 217.546.3400 www.hlrengineering.com <small>184.000955 ILLINOIS PROFESSIONAL DESIGN FIRM LS / PE / SE CORPORATION</small>	SHEET NO. 5	T.R.	SECTION	COUNTY	TOTAL SHEETS	SHEET NO.
	8 SHEETS	155	07-20124-00-BR	McLEAN	17	14
PROJECT NUMBER: 07.0445.130	DATE: 03/22/10	LAWDALE ROAD DISTRICT		CONTRACT NO. 91442		
		FED. ROAD DIST. NO.	ILLINOIS	FED. AID PROJECT BROS-0113(031)		