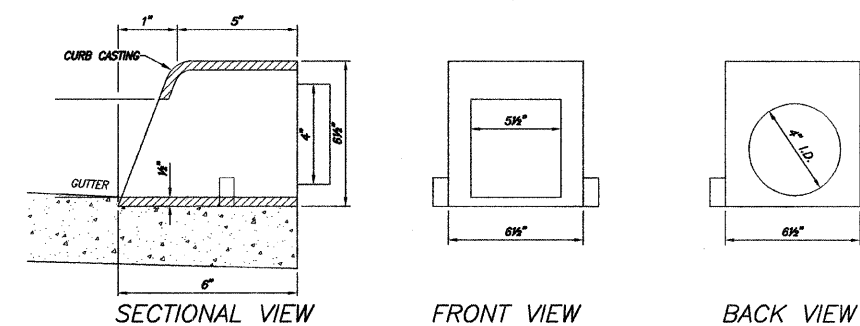
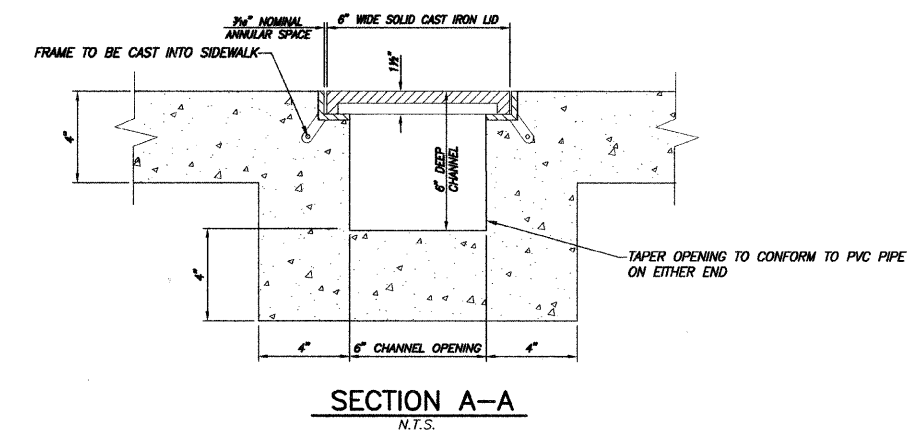
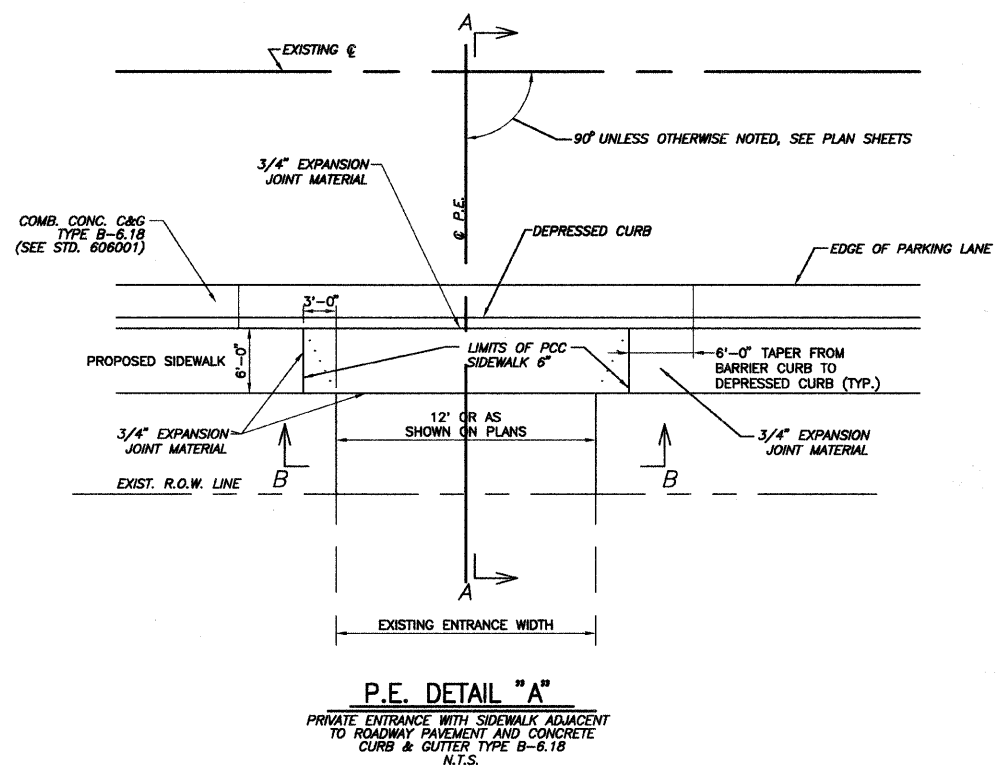


F.A.U. ROUTE	SECTION	COUNTY	TOTAL SHEETS	SHEET NUMBER
N/A	09-00002-00-SW	ST. CLAIR	8	2
FEDERAL AID PROJECT		CONTRACT 97449		

SUMMARY OF QUANTITIES

CODE NUMBER	ITEM DESCRIPTION	UNIT	QUANTITY
20100110	TREE REMOVAL (6 TO 15 UNITS DIAMETER)	UNIT	26
20100210	TREE REMOVAL (OVER 15 UNITS DIAMETER)	UNIT	40
25000100	SEEDING, CLASS 1	ACRE	0.1
40200100	AGGREGATE SURFACE COURSE, TYPE A	TON	34
40200800	AGGREGATE SURFACE COURSE, TYPE B	TON	21
42400100	PORTLAND CEMENT CONCRETE SIDEWALK 4 INCH	SQ FT	4,498
42400300	PORTLAND CEMENT CONCRETE SIDEWALK 6 INCH	SQ FT	729
42400800	DETECTABLE WARNINGS	SQ FT	288
44000600	SIDEWALK REMOVAL	SQ FT	1,788
50105220	PIPE CULVERT REMOVAL	FOOT	117
542D0213	PIPE CULVERTS, CLASS D, TYPE 1 8"	FOOT	24
550B0050	STORM SEWER, CLASS B, TYPE 1, 12"	FOOT	41
60238710	INLETS, TYPE A, WITH SPECIAL GRATE	EACH	1
60265700	VALVE VAULTS TO BE ADJUSTED	EACH	2
60500060	REMOVING INLETS	EACH	1
60604400	COMBINATION CONCRETE CURB AND GUTTER, TYPE B-6.18	FOOT	410
67100100	MOBILIZATION	L SUM	1
70101700	TRAFFIC CONTROL AND PROTECTION	L SUM	1
72000100	SIGN PANEL - TYPE 1	SQ FT	22
72900100	METAL POST - TYPE A	FOOT	22
X5030400	SIDEWALK FLOOR DRAINS	EACH	1



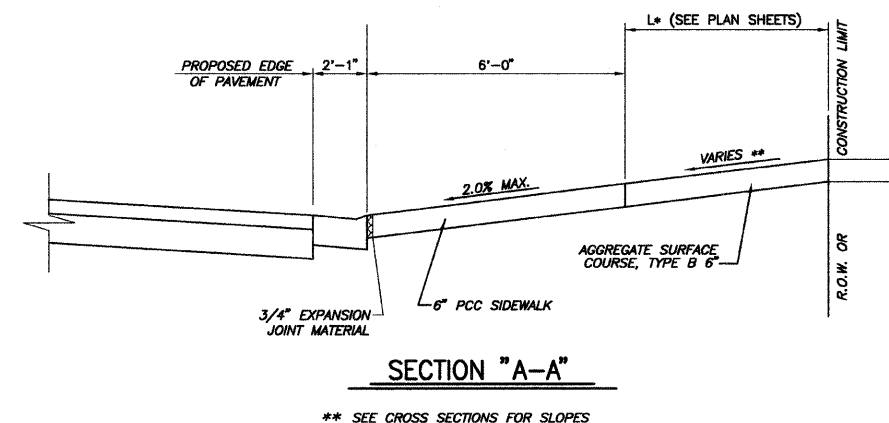
STORM WATER CURB OPENING
N.T.S.

GENERAL NOTES

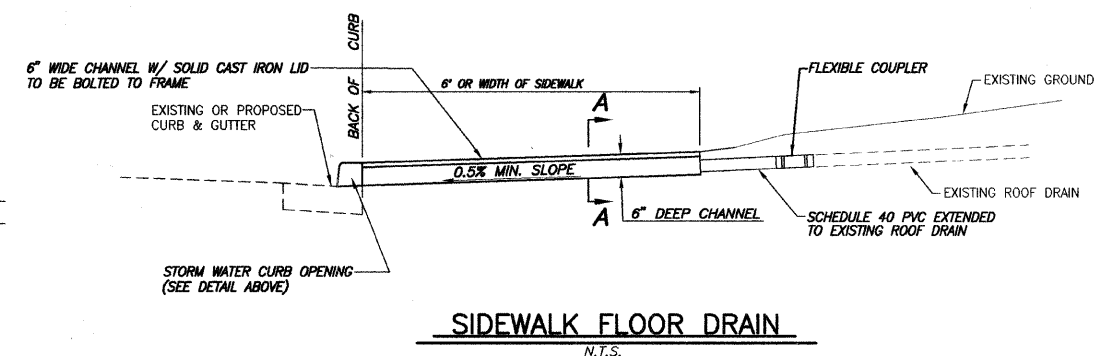
- ALL CONSTRUCTION SHALL BE ACCORDING TO THE ILLINOIS DEPARTMENT OF TRANSPORTATION STANDARD SPECIFICATIONS FOR ROAD AND BRIDGE CONSTRUCTION, ADOPTED JANUARY 1, 2007.
- UNDERGROUND FACILITIES, STRUCTURES AND UTILITIES HAVE BEEN PLOTTED FROM AVAILABLE SURVEYS AND RECORDS. THEIR LOCATIONS MUST BE CONSIDERED TO BE APPROXIMATE ONLY. IT IS POSSIBLE THERE MAY BE OTHERS, THE EXISTENCE OF WHICH IS NOT PRESENTLY KNOWN OR SHOWN. IT IS THE CONTRACTOR'S RESPONSIBILITY TO DETERMINE THEIR EXISTENCE AND EXACT LOCATION AND TO AVOID DAMAGE THERETO. FIELD LOCATIONS OF UNDERGROUND FACILITIES MAY BE OBTAINED BY CALLING THE J.U.L.I.E. SYSTEM AT 800-892-0123 AND PROVIDING 48 HOURS ADVANCE NOTICE. NON-J.U.L.I.E. MEMBERS MAY BE CONTACTED DIRECTLY. AGENCIES KNOWN TO HAVE FACILITIES WITHIN THE PROJECT LIMITS ARE LISTED ON THE COVER SHEET.
- THE UTILITY COMPANIES LISTED ON THE COVER SHEET MAY HAVE FACILITIES LOCATED WITHIN THE LIMITS OF CONSTRUCTION WHICH MAY REQUIRE ADJUSTMENT, RELOCATION OR REMOVAL. IT IS UNDERSTOOD AND AGREED THAT THE CONTRACTOR HAS TAKEN THIS FACT INTO CONSIDERATION IN PREPARING HIS/HER BID AND NO ADDITIONAL COMPENSATION WILL BE ALLOWED FOR ANY DELAYS OR INCONVENIENCE CAUSED BY SAME.
- THE COST FOR FURNISHED EXCAVATION AND EARTH EXCAVATION NECESSARY TO COMPLETE THE WORK AS SHOWN ON THE PLANS AND AS DIRECTED BY THE ENGINEER SHALL BE INCLUDED IN THE COST OF THE CONTRACT. THE TOP 6 INCHES OF ALL NECESSARY BACKFILL SHALL BE FREE FROM ANY ROCKS OR FOREIGN DEBRIS.
- ALL PROPOSED EMBANKMENT SHALL BE BENCHED INTO THE EXISTING SLOPES TO THE SATISFACTION OF THE ENGINEER.
- THE CONTRACTOR SHALL VERIFY ALL DIMENSIONS AND CONDITIONS IN THE FIELD PRIOR TO ORDERING OF MATERIALS AND CONSTRUCTION.
- ALL EARTH SURFACES DISTURBED BY CONSTRUCTION SHALL BE SEEDED WITH CLASS 1 SEEDING WHICH PRICE SHALL INCLUDE FERTILIZER NUTRIENTS, MULCH, AND ALL NECESSARY INCIDENTAL WORK AS DIRECTED BY THE ENGINEER. SEEDING OUTSIDE RIGHT-OF-WAY WILL BE AT THE CONTRACTOR'S EXPENSE.
- IF ASH TREES ARE REMOVED ON THE PROJECT, THE CONTRACTOR SHALL BECOME FAMILIAR WITH AND COMPLY WITH MEASURES SPECIFIED BY THE ILLINOIS DEPARTMENT OF AGRICULTURE (IDOA) TO PREVENT THE SPREAD OF THE EMERALD ASH BORER. THE IDOA INFORMATION FOR ASH TREE REMOVAL CAN BE FOUND ON THE IDOA WEBSITE AT WWW.AGR.STATE.IL.US/EAB.

COMMITMENTS

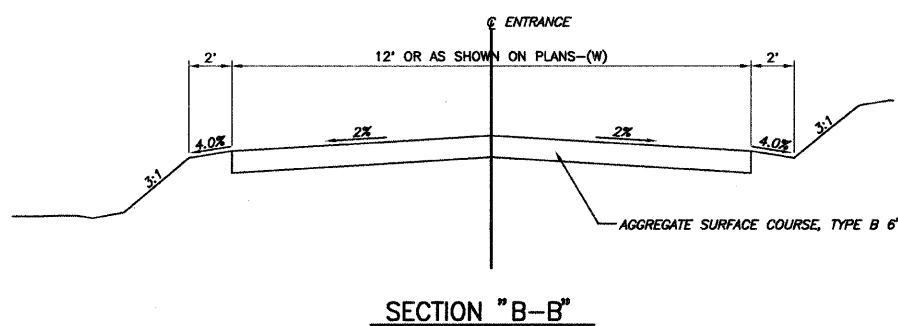
NONE



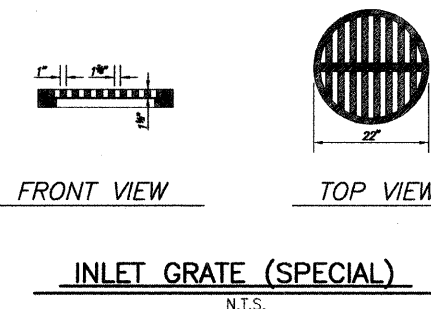
SECTION "A-A"
** SEE CROSS SECTIONS FOR SLOPES



SIDEWALK FLOOR DRAIN
N.T.S.



SECTION "B-B"



INLET GRATE (SPECIAL)
N.T.S.