

STATE OF ILLINOIS
DEPARTMENT OF TRANSPORTATION

**PROPOSED
HIGHWAY PLANS**

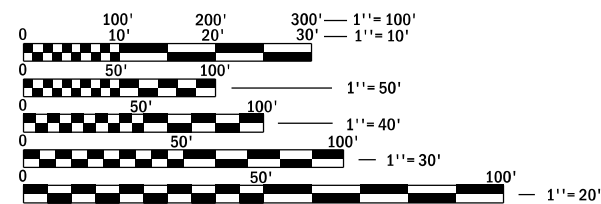
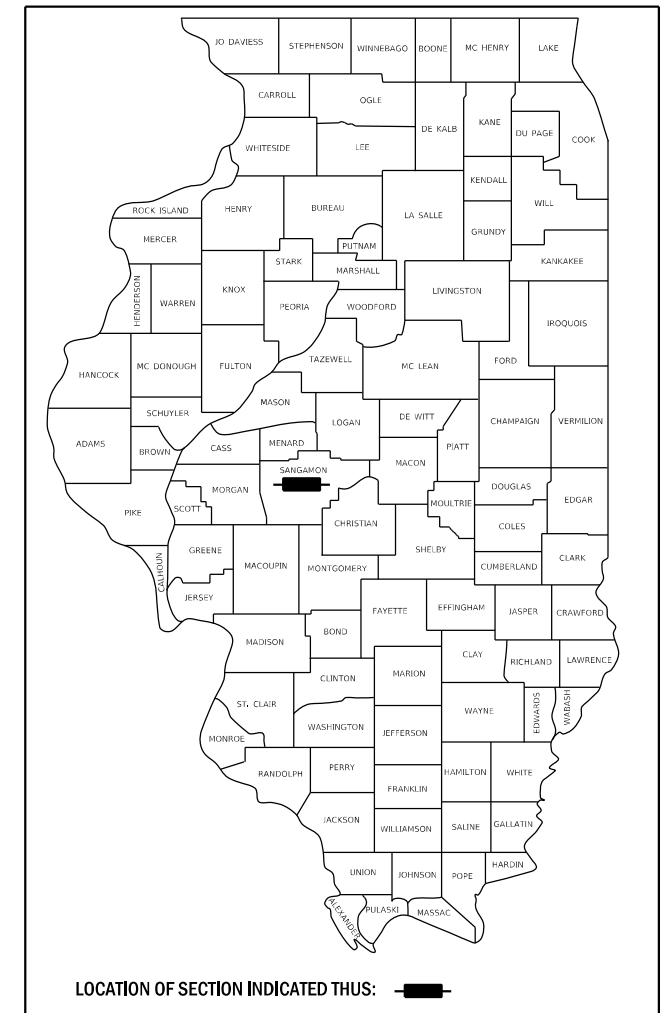
**IDOT/IHPA STATEWIDE
DANA THOMAS HOUSE STATE HISTORIC SITE
DANA THOMAS 2019
PARKING LOT IMPROVEMENTS
SANGAMON COUNTY**

C-30-026-18

F.A. RTE.	SECTION	COUNTY	TOTAL SHEETS	SHEET No.
	DANA THOMAS 2019	SANGAMON	22	1
	ILLINOIS	CONTRACT No. 46911		

INDEX OF SHEETS

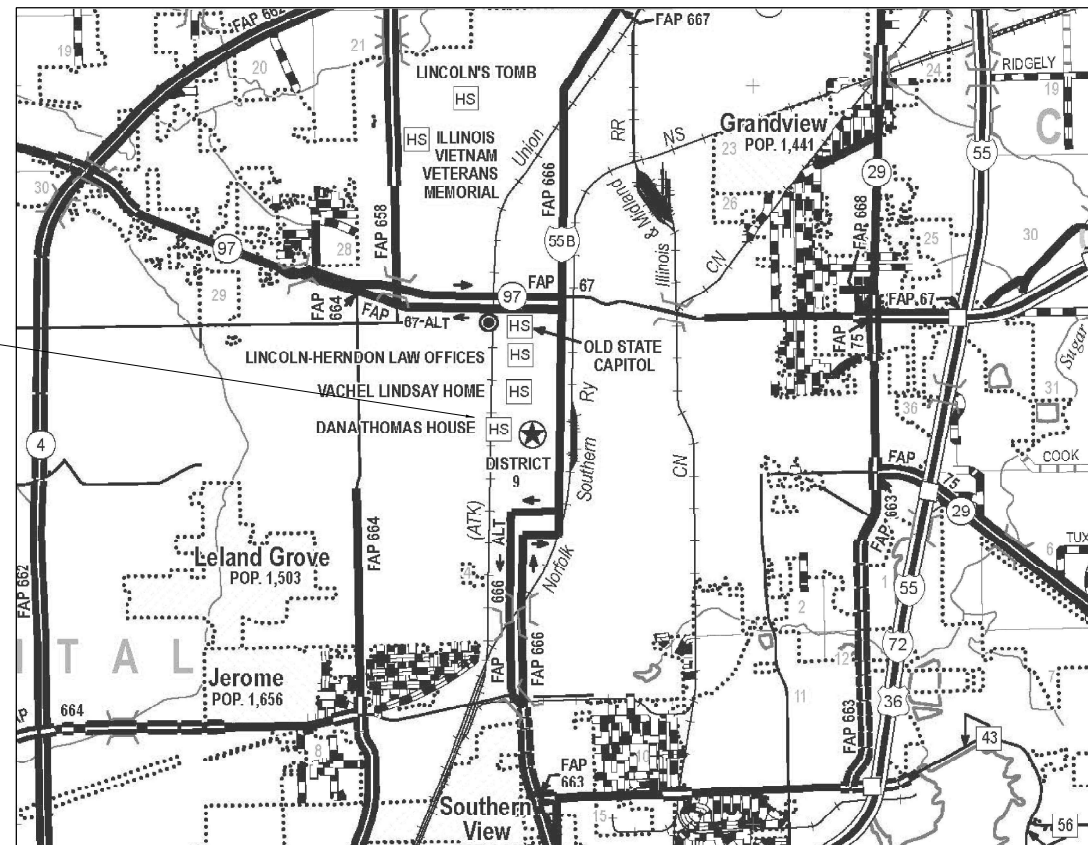
- 1 COVER SHEET
- 2 GENERAL NOTES AND STANDARDS
- 3-5 SUMMARY OF QUANTITIES
- 6-7 SCHEDULE OF QUANTITIES
- 8 TYPICAL SECTIONS
- 9 REMOVAL PLAN
- 10 PROPOSED PLAN
- 11 PROPOSED PROFILES
- 12 PROPOSED GRADING AND DRAINAGE PLAN - SOUTH
- 13 PROPOSED GRADING AND DRAINAGE PLAN - NORTH
- 14 PROPOSED GRADING NORTH ENTRANCE
- 15 PROPOSED SIGNING AND PAVEMENT MARKING PLAN
- 16 SITE DETAILS AND DISTRICT 6 STANDARD
- 17 STORM SEWER DETAILS
- 18 PROPOSED ELECTRICAL PLAN
- 19-20 ELECTRICAL DETAILS
- 21-22 CROSS SECTIONS



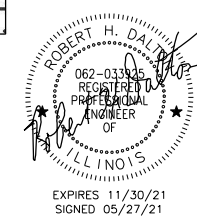
FULL SIZE PLANS HAVE BEEN PREPARED USING STANDARD ENGINEERING SCALES. REDUCED SIZED PLANS WILL NOT CONFORM TO STANDARD SCALES. IN MAKING MEASUREMENTS ON REDUCED PLANS, THE ABOVE SCALES MAY BE USED.

J.U.L.I.E.
JOINT UTILITY LOCATING INFORMATION FOR EXCAVATORS
1-800-892-0123
OR 811

PROJECT LOCATION
PROJECT BEGINS
STA 10+18.20
PROJECT ENDS
STA 13+62.10



LOCATION MAP - SPRINGFIELD, ILLINOIS



STATE OF ILLINOIS
DEPARTMENT OF TRANSPORTATION

SUBMITTED JUNE 25, 2021

[Signature]
REGIONAL ENGINEER

June 25, 2021

[Signature]
ENGINEER OF DESIGN AND ENVIRONMENT

June 25, 2021

[Signature]
DIRECTOR OF HIGHWAYS PROJECT IMPLEMENTATION

**PRINTED BY THE AUTHORITY
OF THE STATE OF ILLINOIS**

STANDARDS

000001-08	STANDARD SYMBOLS, ABBREVIATIONS AND PATTERNS
001001-02	AREAS OF REINFORCEMENT BARS
001006	DECIMAL OF AN INCH AND OF A FOOT
280001-07	TEMPORARY EROSION CONTROL SYSTEMS
285001-02	FABRIC FORMED CONCRETE REVETMENT MATS
420001-09	PAVEMENT JOINTS
424001-11	PERPENDICULAR CURB RAMPS FOR SIDEWALKS
424026-03	ENTRANCE / ALLEY PEDESTRIAN CROSSINGS
602301-04	INLET - TYPE A
602401-07	PRECAST MANHOLE TYPE A 4' (1.22 m) DIAMETER
602406-11	PRECAST MANHOLE TYPE A 6' (1.83 m) DIAMETER
602601-06	PRECAST REINFORCED CONCRETE FLAT SLAB TOP
602701-02	MANHOLE STEPS
604001-05	FRAME AND LIDS TYPE 1
604036-03	GRATE TYPE 8
606001-07	CONCRETE CURB TYPE B AND COMBINATION CONCRETE CURB AND GUTTER
701601-09	URBAN LANE CLOSURE, MULTILANE, 1W OR 2W WITH NONTRAVERSABLE MEDIAN
701801-06	SIDEWALK, CORNER OR CROSSWALK CLOSURE
701901-08	TRAFFIC CONTROL DEVICES
720001-01	SIGN PANEL MOUNTING DETAILS
720006-04	SIGN PANEL ERECTION DETAILS
720011-01	METAL POSTS FOR SIGNS, MARKERS & DELINEATORS
729001-01	APPLICATIONS OF TYPES A & B METAL POSTS (FOR SIGNS & MARKERS)
780001-05	TYPICAL PAVEMENT MARKINGS
BLR 14-12	PORTLAND CEMENT CONCRETE PAVEMENT (NONREINFORCED)
604006-05	FRAME AND GRATE TYPE 3
836001-04	LIGHT POLE FOUNDATION
821101-02	LUMINAIRE WIRING IN POLE

GENERAL NOTES

- SPECIFICATIONS SHALL BE THE "STANDARD SPECIFICATIONS FOR ROAD AND BRIDGE CONSTRUCTION" ADOPTED APRIL 1, 2016.
- WHERE SECTION OR SUBSECTION MONUMENTS ARE ENCOUNTERED, THE ENGINEER SHALL BE NOTIFIED BEFORE SUCH MONUMENTS ARE REMOVED. THE CONTRACTOR SHALL PROTECT AND CAREFULLY PRESERVE ALL PROPERTY MARKERS AND MONUMENTS UNTIL THE OWNER AND AUTHORIZED SURVEYOR OR AGENT HAS WITNESSED OR OTHERWISE REFERENCED THEIR LOCATION. IF THE ENGINEER DECIDES TO HAVE THE CONTRACTOR RESET THE MONUMENT, THIS WORK WILL BE PAID FOR IN ACCORDANCE WITH ARTICLE 109.04 OF THE STANDARD SPECIFICATIONS FOR HIGHWAY AND BRIDGE CONSTRUCTION.
- THE CONTRACTOR SHALL CONTACT J.U.L.I.E. TO HAVE PUBLIC AND PRIVATE UTILITIES LOCATED PRIOR TO ANY CONSTRUCTION.
- THE CONTRACTOR SHALL BE RESPONSIBLE FOR PROTECTING UTILITY PROPERTY FROM CONSTRUCTION OPERATIONS AS OUTLINED IN ARTICLE 107.26 OF THE STANDARD SPECIFICATIONS. THE J.U.L.I.E. NUMBER IS (800) 892-0123. A MINIMUM OF 48 HOURS ADVANCE NOTICE IS REQUIRED.
- ANY REFERENCE TO THE STANDARDS THROUGHOUT THE PLANS SHALL BE INTERPRETED TO BE THE LATEST IDOT HIGHWAY STANDARDS AS INCLUDED IN THESE PLANS.
- ALL DETAILS IN THE PLANS SHALL GOVERN CONSTRUCTION OF THIS PROJECT, AND, IN CASE OF CONFLICT WITH ANY STANDARD DRAWINGS INCLUDED, THE SAID DETAILS SHALL TAKE PRECEDENCE AND GOVERN.
- THE CONTRACTOR SHALL ASSUME COMPLETE RESPONSIBILITY FOR JOB SITE CONDITIONS DURING THE COURSE OF CONSTRUCTION, INCLUDING SAFETY OF ALL PERSONS AND PROPERTY, THAT THIS REQUIREMENT SHALL APPLY CONTINUOUSLY AND NOT BE LIMITED TO NORMAL WORKING HOURS, AND THAT THE CONTRACTOR SHALL DEFEND, INDEMNIFY, AND HOLD THE OWNER AND THE ENGINEER HARMLESS FROM ANY AND ALL LIABILITY, REAL OR ALLEGED, IN CONNECTION WITH THE PERFORMANCE OF WORK ON THIS PROJECT, EXCEPTING FOR THE LIABILITY ARISING FROM THE SOLE NEGLIGENCE OF THE OWNER OR THE ENGINEER.
- ALL CONSTRUCTION LAYOUT SHALL BE THE RESPONSIBILITY OF THE CONTRACTOR.
- ALL BORROW/WASTE/USE SITES MUST BE APPROVED BY THE DEPARTMENT PRIOR TO REMOVING ANY MATERIAL FROM THE PROJECT OR INITIATING ANY EARTHMOVING ACTIVITIES, INCLUDING TEMPORARY STOCKPILING OUTSIDE THE LIMITS OF CONSTRUCTION.
- CONSULT WITH THE SITE SUPERINTENDENT TO IDENTIFY STAGING AREAS AND MATERIAL STORAGE AREAS.
- ALL SIGN LOCATIONS ARE TO BE STAKED IN THE FIELD BY THE RESIDENT ENGINEER.
- ALL TREES AND SHRUBBERY SHALL BE PROTECTED UNLESS THEY ARE SHOWN TO BE REMOVED ON THE DEMOLITION SHEETS.
- THE CONTRACTOR SHALL PROVIDE LANE AND SIDEWALK CLOSURES ALONG COOK AND LAWRENCE STREETS IN ACCORDANCE WITH STANDARDS 701601 AND 701801.

LEGEND

	PROPOSED STORM SEWER		EXISTING POWER POLE
	EXISTING STORM SEWER		EXISTING FIRE HYDRANT
	EXISTING DITCH		EXISTING CATCH BASIN
	PROPOSED INLET		EXISTING INLET
	EXISTING SIGN		EXISTING MANHOLE
	EXISTING LIGHT POLE		EXISTING FLARED END SECTION
	EXISTING WATER VALVE		EXISTING BOLLARD
	EXISTING DECIDUOUS TREE		EXISTING JUNCTION BOX

THE FOLLOWING MIXTURE REQUIREMENTS ARE APPLICABLE FOR THIS PROJECT:

MIX USE	BINDER	SURFACE	PATCHING
PG	PG 64-22	PG 64-22	PG 64-22
DESIGN AIR VOIDS	4.0% @ N50	4.0% @ N50	4.0% @ N50
MIXTURE COMPOSITION	IL 9.5	IL 9.5	IL 19.0
FRICTION AGGREGATE	N/A	MIX "C"	N/A
QUALITY MANAGEMENT PROGRAM	QC/QA	QC/QA	QC/QA
SUBLOT SIZE	N/A	N/A	N/A

THE FOLLOWING RATES OF APPLICATION HAVE BEEN USED TO CALCULATE THE PLAN QUANTITIES:

BITUMINOUS MATERIALS (TACK COAT ON PAVEMENT)	0.05 LB / SQ FT
BITUMINOUS MATERIALS (TACK COAT BETWEEN LIFTS)	0.025 LB / SQ FT
BITUMINOUS MATERIALS (PRIME COAT)	0.25 LB / SQ FT
BITUMINOUS CONCRETE SURFACE / BINDER	0.056 TON / SQ YD / INCH
SEEDING FERTILIZER NUTRIENTS (N, P, K)	90, 0, 90 LBS / ACRE
PARKING LOT SEAL COAT	0.27 GAL / SQ YD

REV. - MS

MODEL: Default; FILE NAME: S:\CAD Drawings\CAD Drawings\250\250-141\250-141-0 Dana Thomas House\Construction Drawings\0646911.dwg; 002 General Notes.dgn

JOB No. 250-141-0 VASCONCELLES ENGINEERING CORP. DESIGN FIRM REGISTRATION NUMBER 184-002107

USER NAME = skuper	DESIGNED - S.D.K.	REVISED -	<p align="center">STATE OF ILLINOIS DEPARTMENT OF TRANSPORTATION</p>	<p align="center">GENERAL NOTES AND STANDARDS DANA THOMAS HOUSE</p>				F.A. RTE.	SECTI ON	COUNTY	TOTAL SHEETS	SHEET No
PLOT SCALE = 40.0000' / in.	DRAWN - J.E.B.	REVISED -		SCALE	SHHEE	OF	SHHEETS	STA.	TO	DATE	PROJECT	
PLOT DATE = 5/20/21	CHECKED - R.H.D.	REVISED -		SCALE	SHHEE	OF	SHHEETS	STA.	TO	DATE	PROJECT	
PLOT DATE = 5/20/21	DATE - 05/27/21	REVISED -		SCALE	SHHEE	OF	SHHEETS	STA.	TO	DATE	PROJECT	

CODE No.	ITEM	UNIT	TOTAL QUANTITY	100% STATE	CONSTR. CODE
					URBAN
					ROADWAY
					0001 S.N.
20100110	TREE REMOVAL (6 TO 15 UNITS DIAMETER)	UNIT	50		50
20100210	TREE REMOVAL (OVER 15 UNITS DIAMETER)	UNIT	43		43
20800150	TRENCH BACKFILL	CU YD	28		28
28000400	PERIMETER EROSION BARRIER	FOOT	166		166
28000510	INLET FILTERS	EACH	13		13
28500100	FABRIC FORMED CONCRETE REVETMENT MAT	SQ YD	5.3		5.3
31100300	SUBBASE GRANULAR MATERIAL, TYPE A 4"	SQ YD	115		115
35100700	AGGREGATE BASE COURSE, TYPE A 8"	SQ YD	285		285
35101100	AGGREGATE BASE COURSE, TYPE A 12"	SQ YD	759		759
40600275	BITUMINOUS MATERIALS (PRIME COAT)	POUND	1684		1684
40600290	BITUMINOUS MATERIALS (TACK COAT)	POUND	168		168
40602978	HOT-MIX ASPHALT BINDER COURSE, IL-9.5, N50	TON	63		63
40604050	HOT-MIX ASPHALT SURFACE COURSE, IL-9.5, MIX "C", N50	TON	63		63
42000200	PORTLAND CEMENT CONCRETE PAVEMENT 7"	SQ YD	279		279

* SPECIAL PAY ITEM

CODE No.	ITEM	UNIT	TOTAL QUANTITY	100% STATE	CONSTR. CODE
					URBAN
					ROADWAY
					0001 S.N.
42400200	PORTLAND CEMENT CONCRETE SIDEWALK 5 INCH	SQ FT	1030		1030
44000100	PAVEMENT REMOVAL	SQ YD	559		559
44000300	CURB REMOVAL	FOOT	446		446
44000600	SIDEWALK REMOVAL	SQ FT	1568		1568
45100200	CRACK FILLING	POUND	430		430
550A0050	STORM SEWERS, CLASS A, TYPE 1 12"	FOOT	50		50
60218300	MANHOLES, TYPE A, 4'-DIAMETER, TYPE 1 FRAME, OPEN LID	EACH	1		1
60234200	INLETS, TYPE A, TYPE 1 FRAME, OPEN LID	EACH	1		1
60235700	INLETS, TYPE A, TYPE 3 FRAME AND GRATE	EACH	2		2
60236200	INLETS, TYPE A, TYPE 8 GRATE	EACH	3		3
60500040	REMOVING MANHOLES	EACH	1		1
60500050	REMOVING CATCH BASINS	EACH	2		2
60600605	CONCRETE CURB, TYPE B	FOOT	268		268
60604400	COMBINATION CONCRETE CURB AND GUTTER, TYPE B-6.18	FOOT	184		184

STATE OF ILLINOIS
DEPARTMENT OF TRANSPORTATION

SUMMARY OF QUANTITIES
DANA THOMAS HOUSE

F.A. RTE.	SECTION	COUNTY	TOTAL SHEETS	SHEET No.
	DANA THOMAS 2019	SANGAMON	22	3
			CONTRACT No. 46911	
		ILLINOIS	FED. AID PROJECT	

SCALE: SHEET OF SHEETS STA. TO STA.

REV. - MS

CODE No.	ITEM	UNIT	100% STATE		CONSTR. CODE
			TOTAL QUANTITY	S.N.	URBAN
					ROADWAY 0001
60605900	COMBINATION CONCRETE CURB AND GUTTER, TYPE B-9.12	FOOT	61	61	
61140200	STORM SEWERS (SPECIAL), 12"	FOOT	146	146	
61140400	STORM SEWERS (SPECIAL), 15"	FOOT	65	65	
67100100	MOBILIZATION	L SUM	1	1	
* 72000100	SIGN PANEL - TYPE 1	SQ FT	28	28	
* 72900100	METAL POST - TYPE A	FOOT	180	180	
* 78001100	PAINT PAVEMENT MARKING - LETTERS AND SYMBOLS	SQ FT	105	105	
* 78001110	PAINT PAVEMENT MARKING - LINE 4"	FOOT	2844	2844	
* 78001130	PAINT PAVEMENT MARKING - LINE 6"	FOOT	860	860	
* 81028310	UNDERGROUND CONDUIT, PVC, 3/4" DIA.	FOOT	536	536	
* 81702450	ELECTRIC CABLE IN CONDUIT, 600V (XLP-TYPE USE) 3-1/C NO. 10	FOOT	729	729	
* 83600200	LIGHT POLE FOUNDATION, 24" DIAMETER	FOOT	98	98	
84200600	REMOVAL OF LIGHTING UNIT, NO SALVAGE	EACH	3	3	
84200804	REMOVAL OF POLE FOUNDATION	EACH	3	3	

* SPECIAL PAY ITEM

CODE No.	ITEM	UNIT	100% FEDERAL		CONSTR. CODE
			TOTAL QUANTITY	S.N.	URBAN
					ROADWAY 0001
X0300019	REMOVE AND REINSTALL PARKING BLOCKS	EACH	31	31	
X0301339	REMOVE EXISTING PARKING BLOCKS	EACH	7	7	
X0327308	PARKING LOT SEAL COAT	GALLON	392	392	
78300201	PAVEMENT MARKING REMOVAL - GRINDING	SQ FT	246	246	
X0487800	SANITARY SEWER REMOVAL 12"	FOOT	27	27	
X0800003	COARSE AGGREGATE BACKFILL (SPECIAL)	CU YD	145	145	
82110003	LUMINAIRE, LED, ROADWAY, OUTPUT DESIGNATION C	EACH	11	11	
X2010400	STUMP REMOVAL ONLY	UNIT	27	27	
X2020410	EARTH EXCAVATION (SPECIAL)	CU YD	592	592	
X2110104	TOPSOIL FURNISH AND PLACE, 4" (SPECIAL)	SQ YD	494	494	
X4402400	CURB REMOVAL (SPECIAL)	FOOT	177	177	
X6011805	PIPE DRAINS 8" (SPECIAL)	FOOT	87	87	
X6020710	CATCH BASINS TO BE ADJUSTED WITH SPECIAL FRAME AND GRATE	EACH	3	3	
X6022230	MANHOLES, TYPE A, 4-DIAMETER, WITH SPECIAL FRAME AND GRATE	EACH	1	1	

MODEL: D:\default...
 FILE NAME: S:\CAD Drawings\CAD Drawings\250-141-0 Dana Thomas House\Construction Drawings\0646911.dwg 003-2025 Summary.dgn

REV. - MS

USER NAME = jbeque	DESIGNED - S.D.K.	REVISED -	STATE OF ILLINOIS DEPARTMENT OF TRANSPORTATION	SUMMARY OF QUANTITIES DANA THOMAS HOUSE		F.A. RTE.	SECTION	COUNTY	TOTAL SHEETS	SHEET No.
DRAWN - J.E.B.	REVISIONS -					DANA THOMAS 2019	SANGAMON	22	4	
PLOT SCALE = 40.0000 ' / in.	CHECKED - R.H.D.	REVISIONS -				CONTRACT No. 46911				
PLOT DATE = 5/27/2021	DATE - 05/27/21	REVISIONS -				ILLINOIS FED. AID PROJECT				
SCALE:		SHEET OF SHEETS		STA. TO STA.						

JOB No. 250-141-0 VASCONCELLES ENGINEERING CORP. DESIGN FIRM REGISTRATION NUMBER 184-002107

			100% STATE	CONSTR. CODE
CODE No.	ITEM	UNIT	TOTAL QUANTITY	URBAN ROADWAY 0001 S.N.
X6024200	MANHOLES, TYPE A, 6'-DIAMETER, TYPE 1 FRAME, CLOSED LID, SPECIAL	EACH	2	2
X6062400	CONCRETE GUTTER (SPECIAL)	FOOT	20	20
X7240300	SIGN REMOVAL	EACH	3	3
* X7240600	REMOVE AND RE-ERECT EXISTING SIGN	EACH	3	3
* X8300001	LIGHT POLE, SPECIAL	EACH	7	7
Z0004002	BOLLARDS	EACH	1	1
Z0013798	CONSTRUCTION LAYOUT	L SUM	1	1

* SPECIAL PAY ITEM

MODEL: D:\p\h\...
 FILE NAME: S:\CAD Drawings\CAD Drawings\250-141-O Dana Thomas House\Construction Drawings\0646911_dht_003-005-Summary.dgn

USER NAME = jbeque	DESIGNED - S.D.K.	REVISED -
	DRAWN - J.E.B.	REVISED -
PLOT SCALE = 40.0000 ' / in.	CHECKED - R.H.D.	REVISED -
PLOT DATE = 5/27/2021	DATE - 05/27/21	REVISED -

**STATE OF ILLINOIS
DEPARTMENT OF TRANSPORTATION**

**SUMMARY OF QUANTITIES
DANA THOMAS HOUSE**

SCALE: SHEET OF SHEETS STA. TO STA.

F.A. RTE.	SECTION	COUNTY	TOTAL SHEETS	SHEET No.
	DANA THOMAS 2019	SANGAMON	22	5
			CONTRACT No. 46911	
		ILLINOIS	FED. AID PROJECT	

JOB No. 250-141-O VASCONCELLES ENGINEERING CORP. DESIGN FIRM REGISTRATION NUMBER 184-002107

PAVING SCHEDULE																	
STA.	TO	STA.	SUB GRAN MAT A 4 (SQ YD)	AGGR BSE CSE, TY A, 8" (SQ YD)	AGGR BSE CSE, TY A, 12" (SQ YD)	BIT MATLS (PRIME COAT) (POUND)	BIT MATLS (TACK COAT) (POUND)	HMA BC IL-9.5 N50 (TON)	HMA SURF CSE, IL9.5 "C", N50 (TON)	PC CONC PAVEMENT 7" (SQ YD)	PC CONC SIDEWALK 5" (SQ FT)	CRACK FILLING (POUND)	CONC CURB TB (FOOT)	COMB CC&G TB6.18 (FOOT)	COMB CC&G TB9.12 (FOOT)	PARK LOT SEAL CT (GALLON)	BOLLARDS EACH
10+19.16, 31.00' LT	TO	10+19.25, 28.00' RT	31100300	35100700	35101100	40600275	40600290	40602978	40604050	42000200	42400200	45100200	60600605	59			
10+21.22, 18.01' LT	TO	10+26.72, 13.01' LT											7.6				
10+21.28, 19.35' RT	TO	10+26.78, 18.00' RT											5.9				
10+20.25	TO	10+72.50		197.2						190.7							
10+26.69, 23.04' LT	TO	10+32.60, 10.51' LT	7.4								66.6						
10+26.78, 18.00' RT	TO	12+01.29, 30.00' RT	80.7								726.2						
10+72.50	TO	12+01.22			363.0	822	82	29.3	29.3								
12+01.22	TO	13+52.15										430				392	
12+24.00, 43.00' LT																	1
12+94.00, 67.00' LT	TO	13+52.15, 46.00' RT			395.6	862	86	33.3	33.3								
12+94.00, 66.93' LT	TO	13+51.95, 60.00' LT													61		
13+28.71, 45.04' LT	TO	13+51.97, 13.00' LT											114				
13+18.87, 41.55' RT	TO	13+51.97, 7.52' RT											134				
13+51.95, 61.00' LT	TO	13+51.95, 67.00' LT											6				
13+51.97, 67.00' LT	TO	13+60.03, 7.50' RT		67.2						67.2							
13+51.97, 7.50' RT	TO	13+60.01, 33.30' RT	23.1								207.3						
13+51.97, 33.30' RT	TO	13+60.00, 57.00' RT		20.9						20.9							
13+60.68, 67.13' LT	TO	13+60.57, 57.00' RT												125			
13+52.19, 55.95' RT	TO	13+60.00, 61.34' RT	3.4								30.2						
TOTAL =			115	285	759	1,684	168	63	63	279	1,030	430	268	184	61	392	1

DRAINAGE SCHEDULE																	
STA.	TO	STA.	TRENCH BACKFILL (CU YD)	FAB FORM CONC REV MAT (SQ YD)	STORM SEW CL A 1 12 (FOOT)	MAN TA 4 DIA T1F OL (EACH)	INLETS TA T1F OL (EACH)	INLETS TA T3 F&G (EACH)	INLETS TA T8G (EACH)	STORM SEWER SPEC 12 (FOOT)	STORM SEWER SPEC 15 (FOOT)	COARSE AGR BACKFIL SP (CY YD)	PIPE DRAINS 8 SPL (FOOT)	CB ADJ WITH SPL F&G (EACH)	MAN TA 4 DIA w/ SPL F&G (EACH)	MAN TA 6D T1F CL SPL (EACH)	CONC GUTTER SPL (FOOT)
10+19.00, 27.50' LT			20800150	28500100	550A0050	60218300	60234200	60235700	60236200	61140200	61140400	X0800003	X6011805	X6020710	X6022230	X6024200	X6062400
10+19.00, 27.50' LT	TO	10+19.00, 1.60' LT	8.1		24			1									
10+19.00, 1.60' LT														1			
10+19.00, 2.50' RT														1			
10+69.00, 24.00' RT	TO	10+69.00, 28.00' RT											4				
10+69.00, 24.00' RT	TO	10+74.50, 24.00' RT											5				
10+74.50, 24.00' RT	TO	10+74.50, 3.00' LT	5.0										27				
10+74.50, 3.00' LT							1										
10+74.50, 3.00' LT	TO	11+40.00, 3.00' LT								64							
10+74.50, 3.00' LT	TO	11+94.00, 16.00' RT										63					
10+74.50, 28.00' RT	TO	10+74.50, 24.00' RT											4				
10+74.50, 24.00' RT	TO	11+13.00, 24.00' RT	7.5										39				
11+01.50, 28.00' RT	TO	11+01.50, 24.00' RT											4				
11+13.00, 28.00' RT	TO	11+13.00, 24.00' RT											4				
11+40.00, 3.00' LT						1											
11+40.00, 3.00' LT	TO	11+94.00, 16.00' LT								52							
11+94.00, 16.00' LT																1	
11+94.00, 16.00' RT	TO	11+94.00, 16.00' LT							1								
11+94.00, 16.00' RT	TO	11+94.00, 16.00' LT								30							
12+95.50, 67.10' LT	TO	13+11.50, 67.90' LT		5.3													
13+39.50, 26.40' RT	TO	13+45.00, 27.00' RT															6
13+45.00, 37.00' LT	TO	13+45.00, 35.00' RT										84					
13+48.00, 15.00' LT																1	
13+48.00, 30.00' LT									1								
13+45.00, 27.00' RT									1								
13+45.30, 26.20' LT	TO	13+48.00, 30.00' LT															5
13+48.00, 30.00' LT	TO	13+48.00, 15.00' LT															
13+48.00, 15.00' LT	TO	13+45.00, 27.00' RT									13						
13+48.00, 15.00' LT	TO	13+60.50, 6.50' LT	3.5		14						41						
13+61.00, 12.70' LT															1		
13+61.00, 6.50' LT																1	
13+61.00, 6.50' LT	TO	13+61.00, 9.00' RT	3.6		12												
13+61.00, 9.00' RT										1							
TOTAL =			28	5.3	50	1	1	2	3	146	54	147	87	3	1	2	11

MODEL: D:\p\h\...
 FILE NAME: S:\CAD Drawings\CAD Drawings\250,350,141,1250,141,0 Dana Thomas House\Construction Drawings\0646911.dwg 06/06/2021 Schedules.dwg

USER NAME = jbeque	DESIGNED - S.D.K.	REVISED -
	DRAWN - J.E.B.	REVISED -
PLOT SCALE = 40.0000 ' / in.	CHECKED - R.H.D.	REVISED -
PLOT DATE = 6/18/2021	DATE - 06/21/21	REVISED -

**STATE OF ILLINOIS
 DEPARTMENT OF TRANSPORTATION**

SCALE:		SHEET	OF	SHEETS	STA.	TO	STA.
--------	--	-------	----	--------	------	----	------

**SCHEDULE OF QUANTITIES
 DANA THOMAS HOUSE**

F.A. RTE.	SECTION	COUNTY	TOTAL SHEETS	SHEET No.
	DANA THOMAS 2019	SANGAMON	22	6
			CONTRACT No. 46911	
		ILLINOIS	FED. AID PROJECT	

JOB No. 250-141-0 VASCONCELLES ENGINEERING CORP. DESIGN FIRM REGISTRATION NUMBER 184-002107

REMOVAL SCHEDULE													
LOCATION			PAVEMENT REMOVAL (SQ YD)	CURB REMOVAL (FOOT)	CURB REM (SPECIAL) (FOOT)	SIDEWALK REMOVAL (SQ FT)	REMOVE MANHOLES (EACH)	REMOVE CATCH BAS (EACH)	REM LT U NO SALV (EACH)	REM POLE FDN (EACH)	SAN SEWER REMOV 12 (FOOT)	REM REIN PARKING BLKS (EACH)	REM EX PARKING BLKS (EACH)
			44000100	44000300	X4402400	44000600	60500040	60500050	84200600	84200804	X0487800	X0300019	X0301339
10+19.61, 23.97' LT	TO	10+19.68, 28.03' RT			52								
10+20.37, 10.70' RT	TO	10+26.77, 14.32' RT		8									
10+20.31, 26.04' RT	TO	10+26.80, 22.00' RT		8									
10+20.30, 4.72' LT	TO	10+26.72, 11.92' LT				39.0							
10+20.33	TO	11+83.80	272.2										
10+26.70, 23.04' LT	TO	10+32.84, 28.16' RT				254.3							
10+53.12, 21.63' RT	TO	10+57.17, 25.04' RT				13.8							
11+60.52, 27.38' RT	TO	11+65.53, 27.90' RT		5									
11+77.41, 27.49' RT	TO	11+82.41, 28.03' RT		5									
11+85.43, 34.59' RT								1	1				
11+91.50, 35.43' RT	TO	11+96.50, 34.13' RT		5									
11+93.84, 10.80' RT								1					
11+93.89, 0.12' RT													
11+93.66, 17.03' LT	TO	11+93.84, 10.80' RT								27			
12+00.77, 21.00' RT	TO	12+01.30, 30.00' RT		9									
12+00.70, 8.00' LT	TO	12+01.23, 8.00' RT		16									
12+52.19, 9.33' LT								1	1				
12+95.85, 11.01' LT	TO	13+51.98, 12.67' RT		215									
12+94.00, 66.93' LT	TO	13+52.15, 46.00' RT	286.6										
12+93.87, 66.93' LT	TO	13+51.45, 47.20' LT		91									
13+04.30, 26.30' LT	TO	13+23.80, 26.30' LT				80.7							
13+14.21, 9.18' LT								1	1				
13+33.00, 44.00' RT	TO	13+51.95, 44.50' RT		84									
12+40.23, 32.38' LT	TO	13+42.00, 26.00' LT								17			
12+44.92, 25.23' RT	TO	13+33.46, 25.58' RT								14			
13+33.50, 44.00' RT	TO	13+51.65, 39.50' RT				65.0							
13+35.52, 6.45' RT	TO	13+51.47, 12.16' RT				89.0							
13+51.95, 67.02' LT	TO	13+60.24, 61.35' RT				1026.2							
13+59.90, 67.12' LT	TO	13+60.24, 57.84' RT				125							
13+60.10, 6.60' LT								1					
ENTIRE PARKING LOT													7
			559	446	177	1,568	1	2	3	3	27	31	7

PAVEMENT MARKING SCHEDULE						
LOCATION			PAINT PM LTR-SYM (SQ FT)	PAINT PM LINE 4 (FOOT)	PAINT PM LINE 6 (FOOT)	PAVMT MRKG REM GRIND (SQ FT)
			78001100	78001110	78001130	X0327979
10+33.00, 17.75' RT	TO	11+63.00, 17.75' RT			260	
10+40.00, 0.00' RT			13.0			
11+50.00, 0.00' RT			13.0			
10+58.50, 8.00' RT	TO	11+58.50, 18.00' RT		260		
10+83.50, 13.00' RT			46.0			
11+33.50, 13.00' RT			46.0			
12+20.25, 8.00' RT	TO	12+71.10, 28.00' RT			600	
12+36.00, 11.00' RT			6.2			
12+56.00, 11.00' RT			6.2			
12+23.00, 67.50' LT	TO	13+38.40, 30.00' LT		1,680		
12+20.25, 8.00' RT	TO	13+38.70, 28.00' RT		904		
13+66.00, 41.00' LT			29.4			
13+66.00, 5.00' RT		6.5	13.0			
13+66.00, 50.00' RT		6.5	13.0			
ENTIRE PARKING LOT			129.6			246
TOTAL (TWO APPLICATIONS) =			315.4	2,844	860	246

ELECTRICAL SCHEDULE						
DISTANCE (FT.) OR STA.		UNDRGRD C PVC 3/4 (FOOT)	EC C XLP USE 3-1C 10 (FOOT)	LIGHT POLE FDN 24D (FOOT)	LUM LED HM VRY LOW WT (EACH)	LIGHT POLE SPECIAL (EACH)
		81028310	81702450	83600200	X1400212	X8300001
10+47.00, 25.17' RT				14	1	1
10+47.00, 25.17' RT	TO	11+09.00, 25.17' RT	60	89		
11+09.00, 25.17' RT				14	1	1
11+09.00, 25.17' RT	TO	11+71.00, 25.17' RT	60	89		
11+71.00, 25.17' RT				14	1	1
11+71.00, 25.17' RT	TO	12+44.00, 30.00' LT	92	123		
11+85.43, 34.60' RT	TO	12+44.00, 28.00' RT	57	91		
12+44.00, 28.00' RT				14	2	1
12+44.00, 30.00' LT				14	2	1
12+44.00, 28.00' RT	TO	12+44.00, 30.00' LT	56	58		
12+44.00, 28.00' RT	TO	13+25.00, 28.00' RT	76	109		
12+44.00, 30.00' LT	TO	13+25.00, 30.00' LT	79	112		
13+25.00, 28.00' RT				14	2	1
13+25.00, 30.00' LT				14	2	1
13+25.00, 28.00' RT	TO	13+25.00, 30.00' LT	56	58		
			536	729	98	11
						7

SIGN SCHEDULE					
LOCATION	SIGN PANEL T1 (SQ FT)	SIGN I.D. NO.	METAL POST TY A (EACH)	SIGN REMOVAL (EACH)	REM RE-ERECT EX SIGN (EACH)
	72000100		72900100	X7240300	X7240600
10+24.60, 24.50' RT	3.0	R7	12		
11+03.00, 26.00' RT	3.0	R7-114	12		
11+54.00, 26.00' RT	3.0	R7-114	12		
11+98.00, 10.50' LT	1.5	R5-1	12		
11+98.00, 11.00' RT	1.5	R5-1	12		
12+31.10, 29.50' RT	1.5	R7	12		
12+39.10, 29.50' RT	1.5	R7	12		
12+38.94, 44.76' RT				1	
12+44.00, 28.00' RT	2.0	R7-8 & R7-1101	12		
12+47.10, 29.50' RT	1.5	R7	12		
12+57.23, 44.86' RT				1	
12+64.70, 29.00' RT	2.0	R7-8 & R7-1101	12		
13+34.00, 11.50' RT					1
13+44.00, 42.00' LT					1
13+49.00, 10.50' RT	1.5	R5-1	12		
13+49.00, 18.30' LT	1.5	R5-1	12		
13+49.00, 40.00' RT	1.5	R5-1	12		
13+49.00, 46.00' LT	1.5	R7	12		
13+49.00, 65.00' LT	1.5	R7	12		
13+50.00, 23.80' LT				1	
13+58.50, 13.40' RT					1
	28.0		180	3	3

EROSION CONTROL SCHEDULE			
LOCATION	TOPSOIL F&P 4 SPL (SQ YD)	PERIMETER EROS BAR (FOOT)	INLET FILTERS (EACH)
	X2110104	28000400	28000510
10+19.00, 1.60' LT			1
10+19.00, 2.50' RT			1
10+19.00, 27.50' LT			1
10+34.00, 23.00' LT	TO	12+00.00, 22.00' LT	166
10+74.50, 3.00' LT			1
11+40.00, 3.00' LT			1
11+94.00, 16.00' LT			1
11+94.00, 16.00' RT			1
13+45.00, 27.00' RT			1
13+48.00, 15.00' RT			1
13+48.00, 30.00' LT			1
13+61.00, 12.70' LT			1
13+61.00, 6.50' LT			1
13+61.00, 9.00' RT			1
ENTIRE PROJECT	494		
TOTAL =	494	166	13

TREE REMOVAL SCHEDULE			
LOCATION	TREE REMOVAL (6 TO 15) (UNIT)	TREE REMOVAL (OVER 15) (UNIT)	STUMP REMOVAL ONLY (UNIT)
	20100110	20100210	X2010400
10+23.10, 3.8' RT		24	
11+30.00, 20.8' RT	8		
11+64.00, 19.3' RT	6		
11+95.10, 28.1' RT			16
13+09.80, 56.6' LT			11
13+16.30, 51.4' LT		19	
13+17.70, 22.5' LT	12		
13+20.90, 16.0' LT	12		
13+27.10, 19.9' LT	12		
	50	43	27

EARTHWORK SCHEDULE				
1 Location	2 Earth Exc (Special) X2020410	3 Earth Excavation w/No Adjustment For Shrinkage	4 Embankment	5 Earthwork Balance Waste (+) or Shortage (-)
	Cubic Yard	Cubic Yard	Cubic Yard	Cubic Yard
Bus Entrance				
Sta 10+20.25 to 10+72.50	108	108	0	108
Sta 10+72.50 to 12+01.22	290	290	0	290
Parking Lot				
Sta. 12+01.22 to 12+94.00	0	0	0	0
Sta. 12+94.00 to 13+51.95	194	194	0	194
TOTAL	592	592	0	592

Columns 1, 2, & 4 Location and Quantities from Cross Sections:
Cut = Earth Excavation (Special) Fill = Embankment

Column 3 Quantity of Earth Excavation (Cut) Adjusted for a Shrinkage Factor of 25%

Column 5 Earthwork Required:
(-) = Quantity of Fill or Embankment needed (Furnished or Borrow Excavation)
(+) = Quantity to be Wasted

MOC: E:\Default\FILE NAME: SU\CAD Drawings\CAD Drawings\250-141-0-141-0-Dana Thomas House\Construction Drawings\0646911.dwg: 06-007_Schedules.dwg

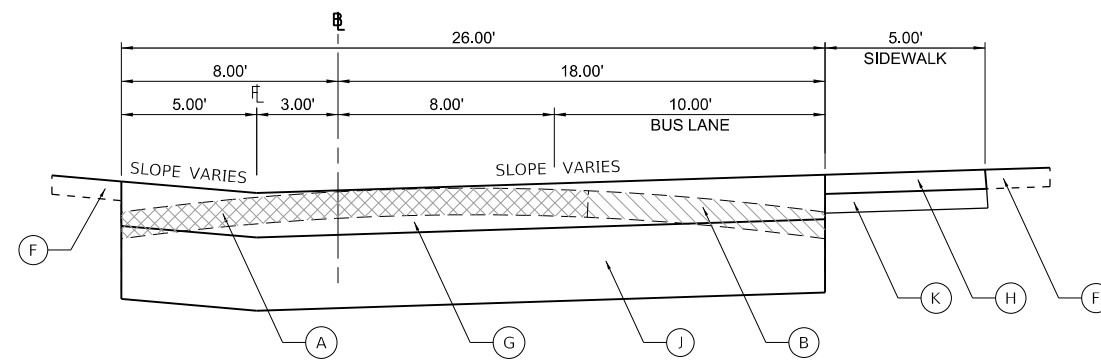
JOB NO. 250-141-0 VASCONCELLES ENGINEERING CORP. DESIGN FIRM REGISTRATION NUMBER 184-002107

USER NAME = jbeque	DESIGNED - S.D.K.	REVISED -
PLOT SCALE = 40.0000' / in.	DRAWN - J.E.B.	REVISED -
PLOT DATE = 6/18/2021	CHECKED - R.H.D.	REVISED -
	DATE - 06/21/21	REVISED -

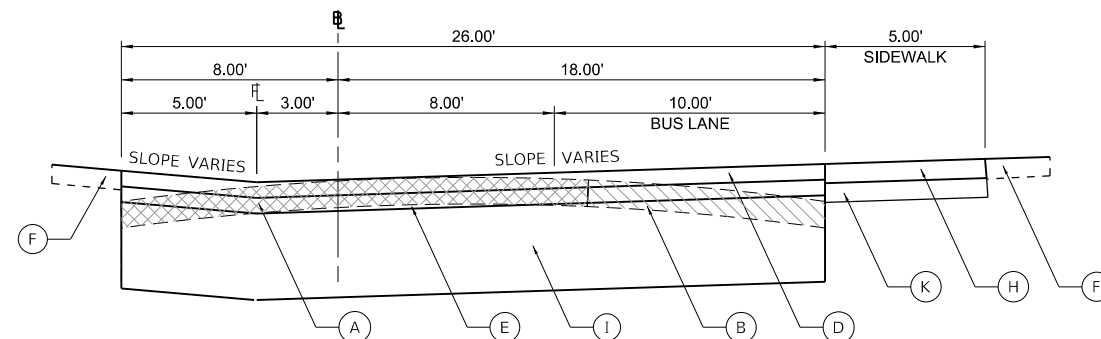
**STATE OF ILLINOIS
DEPARTMENT OF TRANSPORTATION**

SCHEDULE OF QUANTITIES DANA THOMAS HOUSE		
SCALE:	SHEET OF SHEETS	STA. TO STA.

F.A. RTE.	SECTION	COUNTY	TOTAL SHEETS	SHEET No.
	DANA THOMAS 2019	SANGAMON	22	7
			CONTRACT No. 46911	
		ILLINOIS	FED. AID PROJECT	



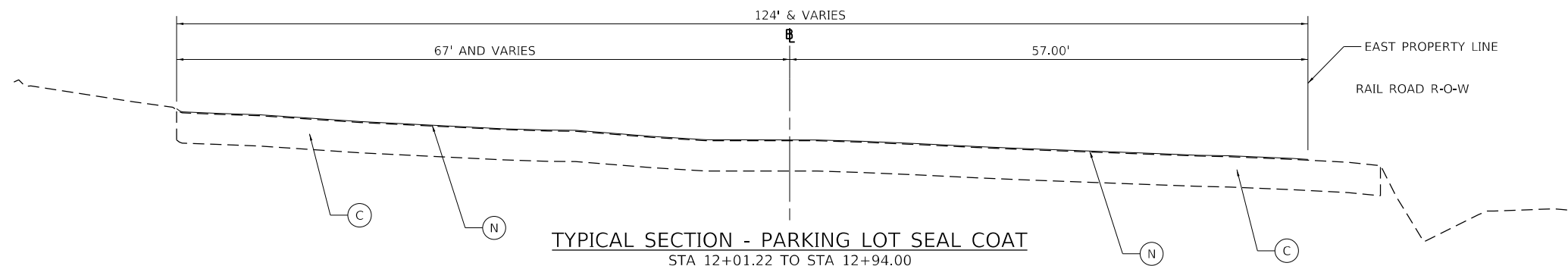
TYPICAL SECTION - CONCRETE DRIVEWAY PAVEMENT
STA 10+20.25 TO STA 10+72.50



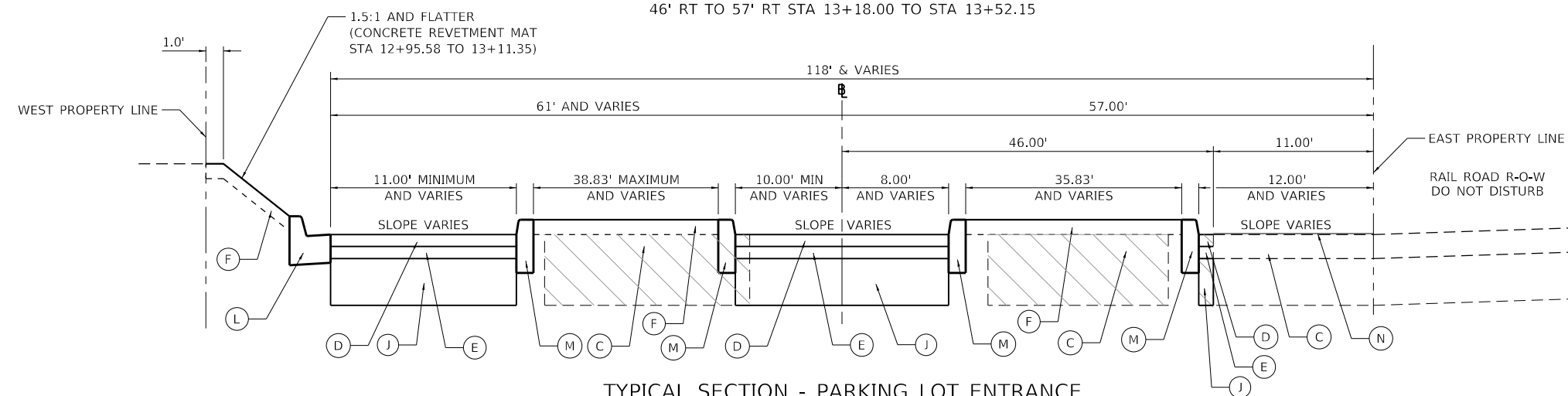
TYPICAL SECTION - HMA DRIVEWAY PAVEMENT
STA 10+72.50 TO STA 12+01.22

LEGEND

- (A) EXISTING AGGREGATE, VARIABLE THICKNESS
- (B) EXISTING CONCRETE PAVEMENT
- (C) EXISTING ASPHALT PAVEMENT
- (D) PROPOSED HOT MIX ASPHALT SURFACE COURSE, MIX "C", IL 9.5, N50 1½"
- (E) PROPOSED HOT MIX ASPHALT BINDER COURSE, IL-9.5, N50 1½"
- (F) PROPOSED TOPSOIL FURNISH & PLACE, 4" (SPECIAL)
- (G) PROPOSED PORTLAND CEMENT CONCRETE PAVEMENT, 7"
- (H) PROPOSED PORTLAND CEMENT CONCRETE SIDEWALK 5"
- (I) PROPOSED AGGREGATE BASE COURSE, TYPE A, 12" MINIMUM
- (J) PROPOSED AGGREGATE BASE COURSE, TYPE A, 8" MINIMUM
- (K) PROPOSED SUBBASE GRANULAR MATERIAL, TYPE A, 4" MINIMUM
- (L) PROPOSED COMBINATION CONCRETE CURB AND GUTTER, TYPE B-9.12
- (M) PROPOSED CONCRETE CURB, TYPE B-6
- (N) PROPOSED CRACK FILLER AND ASPHALT SEALER



TYPICAL SECTION - PARKING LOT SEAL COAT
STA 12+01.22 TO STA 12+94.00
10' LT TO 57' RT STA 12+94.00 TO STA 13+18.00
46' RT TO 57' RT STA 13+18.00 TO STA 13+52.15



TYPICAL SECTION - PARKING LOT ENTRANCE
STA 12+94.00 TO STA 13+52.15

MODEL: Default; FILE NAME: S:\CAD Drawings\CAD Drawings\250,350-141-0 Dana Thomas House\Construction Drawings\0646911_dht_008_Typical Sections.dgn

USER NAME = jbeque	DESIGNED - S.D.K.	REVISED -
	DRAWN - J.E.B.	REVISED -
PLOT SCALE = 40.0000' / in.	CHECKED - R.H.D.	REVISED -
PLOT DATE = 6/25/2021	DATE - 06/21/21	REVISED -

**STATE OF ILLINOIS
DEPARTMENT OF TRANSPORTATION**

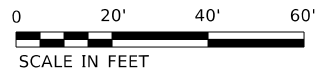
**TYPICAL SECTIONS
DANA THOMAS HOUSE**

SCALE: SHEET OF SHEETS STA. TO STA.

F.A. RTE.	SECTION	COUNTY	TOTAL SHEETS	SHEET No.
	DANA THOMAS 2019	SANGAMON	22	8
			CONTRACT No. 46911	
		ILLINOIS	FED. AID PROJECT	

JOB No. 250-141-0 VASCONCELLES ENGINEERING CORP. DESIGN FIRM REGISTRATION NUMBER 184-002107

COOK STREET



X4402400 CURB REMOVAL (SPECIAL)
13+59.90, 67.12' LT TO
13+60.24, 57.00' RT
125 FOOT

44000600 SIDEWALK REMOVAL
13+51.95, 67.02' LT TO
13+60.24, 57.00' RT
1001.2 SQ FT

X7240300 SIGN REMOVAL
13+50.00, 23.80' LT
1 EACH

44000100 PAVEMENT REMOVAL
12+94.00, 66.93' LT TO
13+52.15, 46.00' RT
286.6 SQ YD

44000600 SIDEWALK REMOVAL
13+04.30, 26.30' LT TO
13+23.80, 26.30' LT
80.7 SQ FT

44000300 CURB REMOVAL
12+93.87, 66.93' LT TO
13+51.45, 47.20' LT
91 FOOT

84200600 REMOVAL OF LIGHTING UNIT, NO SALVAGE
12+52.19, 9.33' LT
1 EACH

84200804 REMOVAL OF POLE FOUNDATION
1 EACH
(REMOVE CONCRETE FOUNDATION TO 3'-0" BELOW GRADE)

44000300 CURB REMOVAL
12+00.70, 8.00' LT TO
12+01.23, 8.00' RT
16 FOOT

EXISTING GARAGE

X0487800 SANITARY SEWER REMOVAL 12"
11+93.66, 17.03' LT TO
11+93.84, 10.80' RT

VACATED ALLEY

60500040 REMOVING MANHOLE
11+93.89, 0.12' RT
1 EACH

44000100 PAVEMENT REMOVAL
10+20.33 TO
11+83.80
272.2 SQ YD

44000600 SIDEWALK REMOVAL
10+26.70, 23.04' LT TO
10+32.84, 28.16' RT
254.3 SQ FT

44000600 SIDEWALK REMOVAL
10+20.30, 4.72' LT TO
10+26.72, 11.92' LT
39.0 SQ FT

EXISTING BUILDING

60500050 REMOVING CATCH BASINS
13+60.10, 6.60' LT
1 EACH

44000600 SIDEWALK REMOVAL
13+35.52, 6.45' RT TO
13+51.47, 12.16' RT
89.0 SQ FT

44000300 CURB REMOVAL
13+33.00, 44.00' RT TO
13+51.95, 44.50' RT
84 FOOT

X0327979 PAVEMENT MARKING REMOVAL - GRINDING
ENTIRE PARKING LOT
246 SQ FT

X0301339 REMOVE EXISTING PARKING BLOCKS
ENTIRE PARKING LOT
7 EACH

84200600 REMOVAL OF LIGHTING UNIT, NO SALVAGE
13+14.21, 9.18' LT
1 EACH

84200804 REMOVAL OF POLE FOUNDATION
1 EACH
(REMOVE CONCRETE FOUNDATION TO 3'-0" BELOW GRADE)

44000300 CURB REMOVAL
12+95.85, 11.01' LT TO
13+51.98, 12.67' RT
215 FOOT

X7240300 SIGN REMOVAL
12+57.23, 44.86' RT
1 EACH

X7240300 SIGN REMOVAL
12+38.94, 44.76' RT
1 EACH

44000300 CURB REMOVAL
12+00.77, 21.00' RT TO
12+01.30, 30.00' RT
9 FOOT

60500050 REMOVING CATCH BASINS
11+93.84, 10.80' RT
1 EACH

44000300 CURB REMOVAL
11+91.50, 35.43' RT TO
11+96.50, 34.13' RT
5 FOOT

84200600 REMOVAL OF LIGHTING UNIT, NO SALVAGE
11+85.43, 34.59' RT
1 EACH

84200804 REMOVAL OF POLE FOUNDATION
1 EACH
(REMOVE CONCRETE FOUNDATION TO 3'-0" BELOW GRADE.)

44000300 CURB REMOVAL
11+77.41, 27.49' RT
11+82.41, 28.03' RT
5 FOOT

44000300 CURB REMOVAL
11+60.52, 27.38' RT
11+65.53, 27.90' RT
5 FOOT

44000600 SIDEWALK REMOVAL
10+53.12, 21.63' RT TO
10+57.17, 25.04' RT
13.8 SQ FT

44000300 CURB REMOVAL
10+20.37, 10.70' RT TO 10+26.77, 14.32' RT &
10+20.31, 26.04' RT TO 10+26.80, 22.00' RT
8' + 8' = 16 FOOT

X4402400 CURB REMOVAL (SPECIAL)
10+19.61, 23.97' LT TO
10+19.68, 28.03' RT
59 FOOT

LEGEND

- CONCRETE PAVEMENT REMOVAL
- ASPHALT PAVEMENT REMOVAL
- SOIL REMOVAL
- CONCRETE CURB REMOVAL
- TREE OR STUMP REMOVAL

X2020410 EARTH EXCAVATION (SPECIAL)			
STATION	TO	STATION	CU YD
10+20.25	TO	10+72.50	108
10+72.40	TO	12+01.21	290
12+94.00	TO	13+51.95	194
TOTAL			592

TREE REMOVAL				
POINT	LOCATION	TREE REMOVAL	TREE REMOVAL	STUMP REMOVAL
		(6 TO 15)	(OVER 15)	ONLY
		(UNIT)	(UNIT)	(UNIT)
A	11+30.00, 20.8' RT	8		
B	11+64.00, 19.3' RT	6		
C	13+17.70, 22.5' LT	12		
D	13+20.90, 16.0' LT	12		
E	13+27.10, 19.9' LT	12		
F	10+23.10, 3.8' RT		24	
G	13+16.30, 51.4' LT		19	
H	11+95.10, 28.1' RT			16
I	13+09.80, 56.6' LT			11
		50	43	27

MODEL: Default
 FILE NAME: S:\CAD Drawings\CAD Drawings\250-350-141-0-Dana Thomas House\Construction Drawings\0646911.dwg
 USER: jbeque
 PLOT SCALE = 40.0000 "/in.
 PLOT DATE = 6/18/2021

LAWRENCE AVENUE

USER NAME = jbeque	DESIGNED - S.D.K.	REVISED -
DRAWN - J.E.B.	REVISED -	
CHECKED - R.H.D.	REVISED -	
DATE - 06/21/21	REVISED -	

STATE OF ILLINOIS
DEPARTMENT OF TRANSPORTATION

REMOVAL PLAN
DANA THOMAS HOUSE

SCALE: 1"=20' SHEET OF SHEETS STA. TO STA.

F.A. RTE.	SECTION	COUNTY	TOTAL SHEETS	SHEET No.
	DANA THOMAS 2019	SANGAMON	22	9
			CONTRACT No. 46911	
		ILLINOIS	FED. AID PROJECT	

JOB No. 250-141-0 VASCONCELLES ENGINEERING CORP. DESIGN FIRM REGISTRATION NUMBER 184-002107

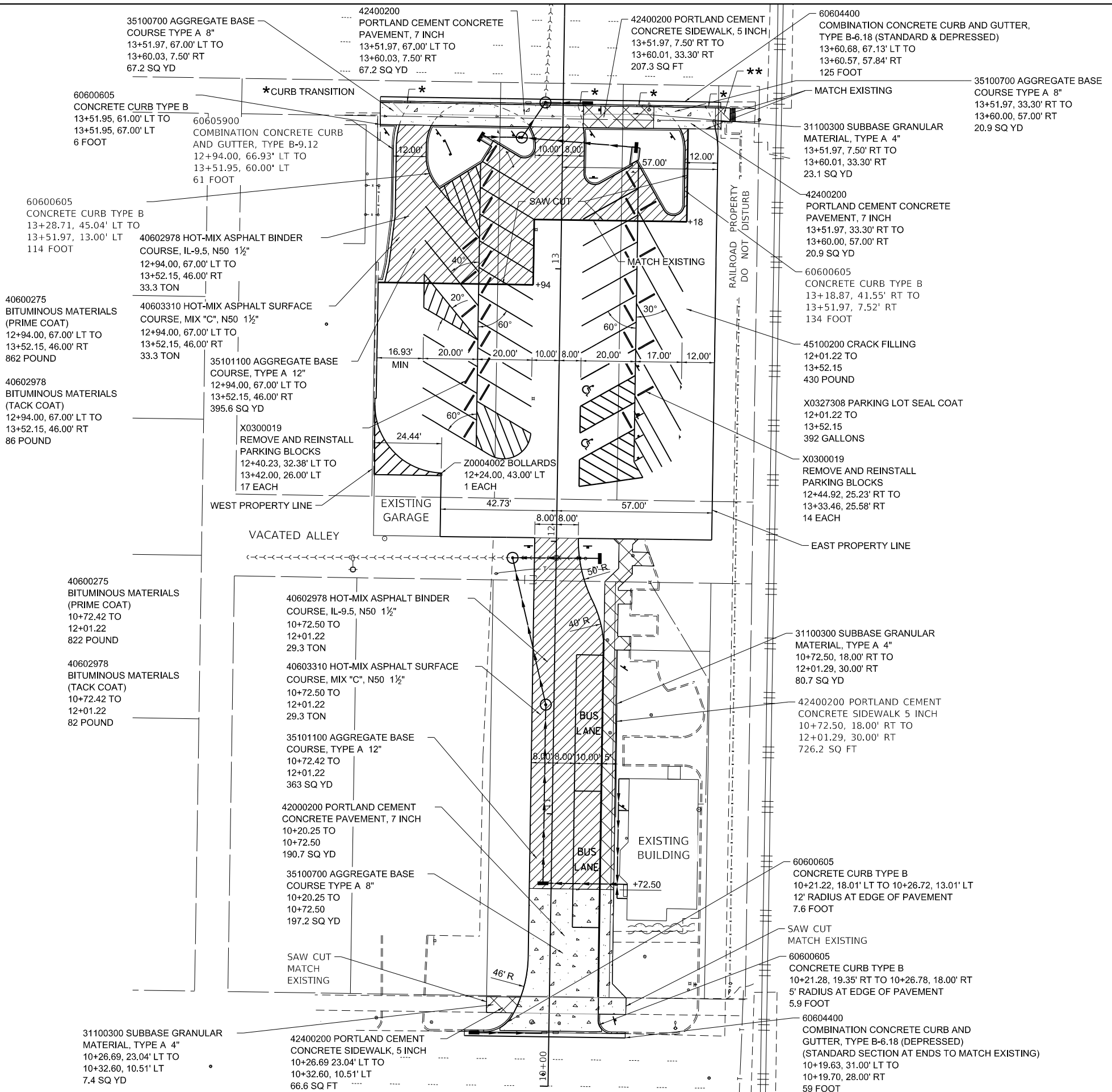


- ** - 42400200 PORTLAND CEMENT CONCRETE SIDEWALK, 5 INCH
13+52.19, 55.95' RT TO
13+60.00, 61.34' RT
30.2 SQ FT
31100300 SUBBASE GRANULAR MATERIAL, TYPE A 4"
13+52.19, 55.95' RT TO
13+60.00, 61.34' RT
3.4 SQ YD

- LIMITS OF PCC DRIVEWAY PAVEMENT, 7"
- LIMITS OF HMA SURFACE
- LIMITS OF PCC SIDEWALK

BASELINE CONTROL POINTS

- STATION 10+00.00
N = 1,139,213.8734
E = 2,441,102.5063
- STATION 14+00.00
N = 1,139,613.8255
E = 2,441,108.6947



MOE: jdb; FILE: M:\E:\S:\CAD Drawings\CAD Drawings\250\350-141-0-Dana Thomas House\Construction Drawings\0646911.dwg; 0.10 Proposed Plan.dgn

USER NAME = jbeque	DESIGNED - S.D.K.	REVISED -
DRAWN - J.E.B.	CHECKED - R.H.D.	REVISED -
PLOT SCALE = 40.0000' / in.	DATE - 06/21/21	REVISED -
PLOT DATE = 6/18/2021		

**STATE OF ILLINOIS
DEPARTMENT OF TRANSPORTATION**

**PROPOSED PLAN
DANA THOMAS HOUSE**

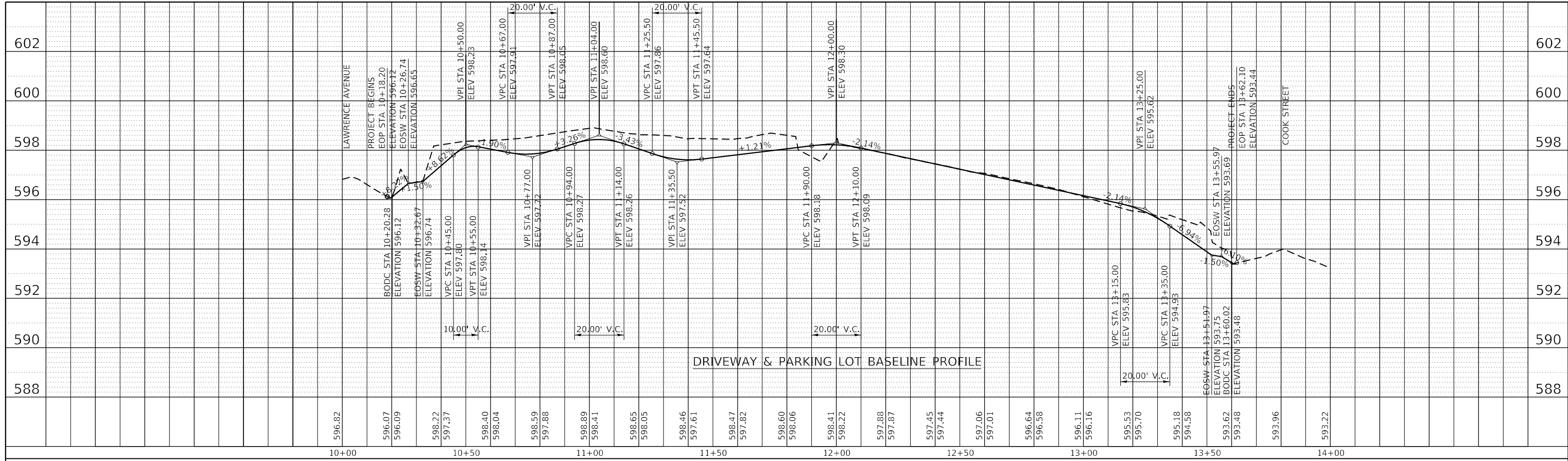
SCALE: 1"=20' SHEET OF SHEETS STA. TO STA.

F.A. RTE.	SECTION	COUNTY	TOTAL SHEETS	SHEET No.
	DANA THOMAS 2019	SANGAMON	22	10
			CONTRACT No. 46911	
		ILLINOIS	FED. AID PROJECT	

JOB No. 250-141-0 VASCONCELLES ENGINEERING CORP. DESIGN FIRM REGISTRATION NUMBER 184-002107

PLAN	SURVEYED	BY	DATE
	PLOTTED		
NOTE BOOK NO.	ALIGNMENT CHECKED		
	GRADE CHECKED		
	CADD FILE NAME		

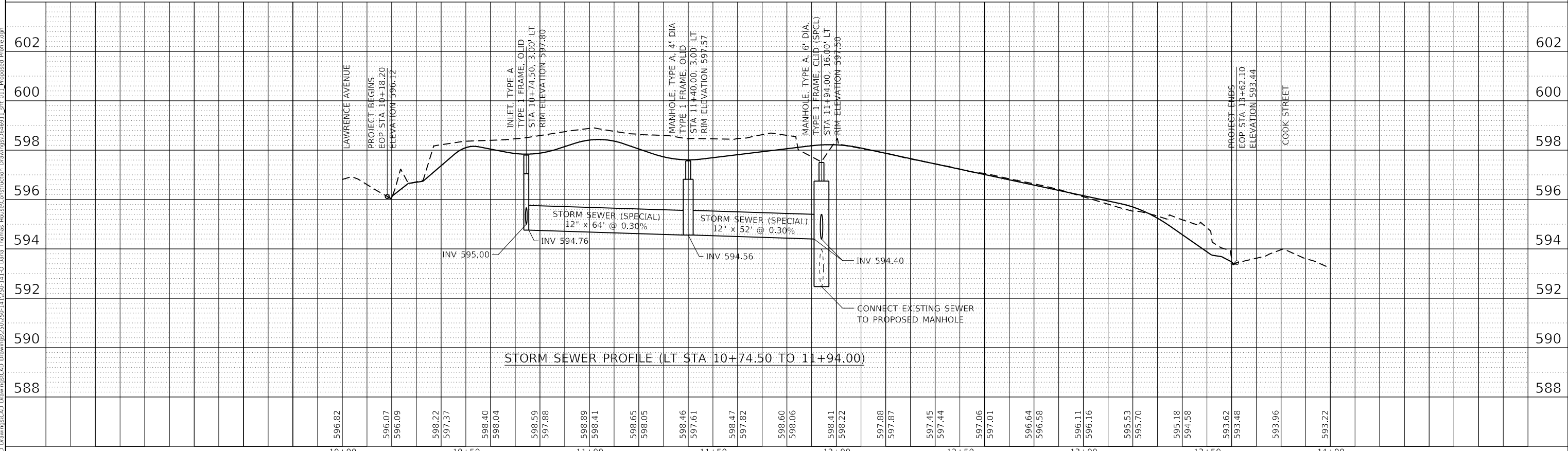
586



DRIVEWAY & PARKING LOT BASELINE PROFILE

PROFILE	SURVEYED	BY	DATE
	PLOTTED		
NOTE BOOK NO.	GRADES CHECKED		
	STRUCTURE NOTATION CHECKED		

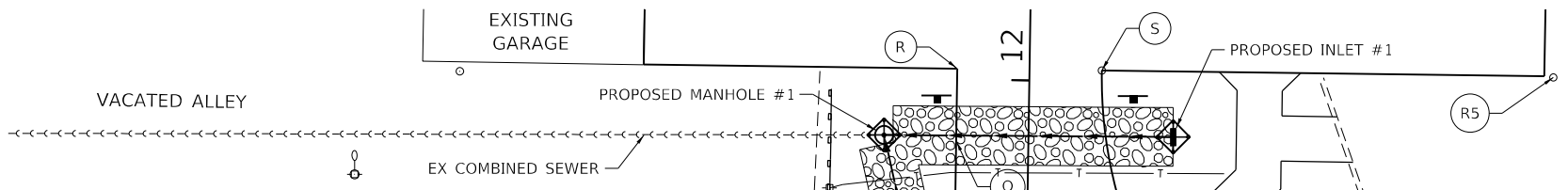
588



STORM SEWER PROFILE (LT STA 10+74.50 TO 11+94.00)

MODEL: Default	FILE NAME: S:\CAD Drawings\CAD Drawings\2025\25-141\25-141-C Dana Thomas House\Construction Drawings\25-141-01-Proposed Profile.dwg	DESIGNED - S.D.K.	REvised -	<p align="center">STATE OF ILLINOIS DEPARTMENT OF TRANSPORTATION</p> <p align="center">PROPOSED PROFILES DANA THOMAS HOUSE</p>	F.A. RTE.	SECTION	COUNTY	TOTAL SHEETS	SHEET NO.
USER NAME = jbeque	DATE - 05/27/21	DRAWN - J.E.B.	REvised -		ILLINOIS	DANA THOMAS 2019	SANGAMON	22	11
PLOT SCALE = 40.0000' / in.	DATE - 05/27/21	CHECKED - R.H.D.	REvised -		CONTRACT NO. 46911				
PLOT DATE = 5/27/2021	DATE - 05/27/21	REvised -	REvised -		ILLINOIS FED. AID PROJECT				

SCALE: 20' V x 2' H SHEET OF SHEETS STA. 10+00.00 TO STA. 14+00.00



28000510 INLET FILTERS		
STATION	OFFSET	EACH
10+19.00	1.60' LT	1
10+19.00	2.50' RT	1
10+19.00	27.50' LT	1
10+74.50	3.00' LT	1
11+40.00	3.00' LT	1
11+94.00	16.00' LT	1
11+94.00	16.00' RT	1

LOCATION	STATION	OFFSET	RADIUS	ELEVATION
PC	10+19.70	23.00' RT		596.54
R1	10+24.70	23.00' RT	5.00'	--
PT	10+24.70	18.00' RT		596.80
PC	10+19.63	23.97' LT		596.24
R2	10+31.63	23.98' LT	12.00'	--
PCC	10+26.00	13.39' LT		596.70
R3	10+47.60	54.00' LT	46.00'	--
PT	10+47.60	8.00' LT		598.00
PC	11+60.00	18.00' RT		598.20
R4	11+60.00	22.00' LT	40.00'	--
PRC	11+78.32	13.56' RT		598.29
R5	12+01.24	58.00' RT	50.00'	--
PT	12+01.24	8.00' RT		598.17

61140200 STORM SEWERS, (SPECIAL), 12" 11+40.00, 3.00' LT TO 11+94.00, 16.00' LT USFL ELEV 594.56 DSFL ELEV 594.40 52 FOOT @ 0.30%

60218300 MANHOLES, TYPE A, 4'-DIAMETER, TYPE 1 FRAME, OPEN LID 11+40.00, 3.00' LT RIM ELEV 597.57 N & S INV 594.56 1 EACH

61140200 STORM SEWERS, (SPECIAL), 12" 10+74.00, 3.00' LT TO 11+40.00, 3.00' LT USFL ELEV 594.76 DSFL ELEV 594.56 64 FOOT @ 0.30%

28000400 PERIMETER EROSION BARRIER 10+34.00, 19.00' LT TO 12+00.00, 22.00' LT 166 FOOT

X0800003 COARSE AGGREGATE 10+74.50, 3.00' LT TO 11+40.00, 3.00' LT TO 11+94.00, 16.00' LT TO 11+94.00, 16.00' RT 62 CU YD

60234200 INLETS, TYPE A, TYPE 1 FRAME, OPEN LID 10+74.50, 3.00' LT RIM ELEV 597.80 E INV 595.00 N INV 594.76 1 EACH

X6011805 PIPE DRAINS 8" (SPECIAL) 10+74.50, 3.00' LT TO 10+74.50, 24.00' RT USFL ELEV 595.27 DSFL ELEV 595.00 SLOPE = 1.0%, 27 FOOT

X6011805 PIPE DRAINS 8" (SPECIAL) 10+69.00, 24.00' RT TO 10+74.50, 24.00' RT USFL ELEV 595.32 DSFL ELEV 595.27 SLOPE = 1.0% 5 FOOT

X6011805 PIPE DRAINS 8" (SPECIAL) 11+13.00, 28.00' RT TO 11+13.00, 24.00' RT USFL ELEV 595.70; DSFL ELEV 595.66 SLOPE = 1.0%, 4 FOOT

X6011805 PIPE DRAINS 8" (SPECIAL) 11+13.00, 24.00' RT TO 10+74.50, 24.00' RT USFL ELEV 595.66; DSFL ELEV 595.27 SLOPE = 1.0% 39 FOOT

X6011805 PIPE DRAINS 8" (SPECIAL) 10+74.50, 24.00' RT TO 10+74.50, 28.00' RT USFL ELEV 595.31 DSFL ELEV 595.27 SLOPE = 1.0% 4 FOOT

X6011805 PIPE DRAINS 8" (SPECIAL) 11+01.50, 28.00' RT TO 11+01.50, 24.00' RT USFL ELEV 595.58 DSFL ELEV 595.54 SLOPE = 1.0% 4 FOOT

550A0050 STORM SEWERS, CLASS A TYPE 1 12" 10+19.00, 27.50' LT TO 10+19.00, 1.60' LT USFL ELEV 594.00 DSFL ELEV 593.76 24 FOOT @ 1.00%

20800150 TRENCH BACKFILL 10+19.00, 27.50' LT TO 10+19.00, 1.60' LT 8.1 CU YD

20800150 TRENCH BACKFILL 10+74.50, 3.00' LT TO 10+74.50, 24.00' RT 5.0 CU YD

60234200 - INLETS, TYPE A, TYPE 3 FRAME & GRATE 10+19.00, 27.50' LT RIM ELEV 596.29 INV ELEV 594.00 1 EACH

SAW CUT AND MATCH EXISTING

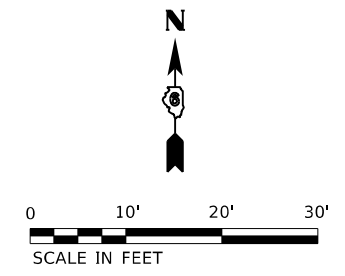
EXISTING BUILDING
SAW CUT AND MATCH EXISTING

2' TRANSITION TO DEPRESSED CURB

SAW CUT AND MATCH EXISTING

X6020710 CATCH BASINS TO BE ADJUSTED WITH SPECIAL FRAME AND GRATE 10+19.00, 1.60' LT - 1 EACH

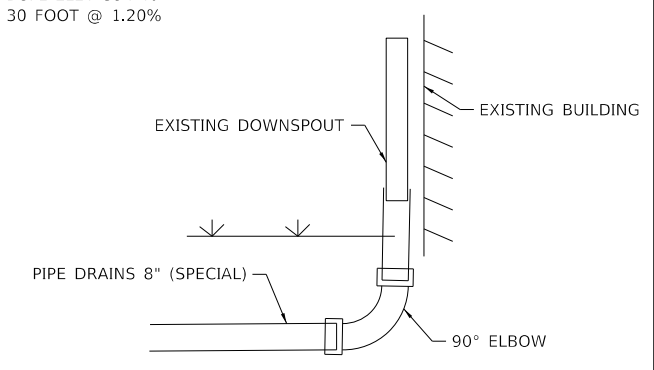
X6020710 CATCH BASINS TO BE ADJUSTED WITH SPECIAL FRAME AND GRATE 10+19.00, 2.50' RT - 1 EACH



PROPOSED MANHOLE #1
X6024200 MANHOLES, TYPE A, 6'-DIA TY 1 FRAME, CLID, SPECIAL 11+94.00, 16.00' LT RIM ELEV 597.50 S & E INV 594.40 EX W INV TBD 1 EACH

PROPOSED INLET #1
60234200 INLETS, TYPE A, TYPE 8 GRATE 11+94.00, 16.00' RT RIM ELEV 597.50 W INV 594.76 1 EACH

PROPOSED INLET #1 TO PROPOSED MANHOLE #1
61140200 STORM SEWERS, SPECIAL 12" USFL ELEV 594.76 DSFL ELEV 594.40 30 FOOT @ 1.20%



DOWNSPOUT DETAIL
NOT TO SCALE

LOCATION	STATION	OFFSET	ELEVATION	DESCRIPTION
A	10+26.72	13.01' LT	596.76	EOP
B	10+26.78	18.00' RT	596.87	EOP
C	10+32.60	10.51' LT	596.80	EOP
D	10+32.82	18.00' RT	596.95	EOP
E	10+53.14	8.00' LT	598.14	EOP
F	10+53.14	18.00' RT	598.30	EOP
G	10+53.14	23.00' RT	598.33	BOS
H	11+00.00	8.00' LT	598.50	EOP
I	11+00.00	23.00' RT	598.56	BOS
J	11+40.00	8.00' LT	597.65	EOP
K	11+53.14	18.00' RT	598.10	EOP
L	11+53.14	23.00' RT	598.18	BOS
M	11+60.00	18.00' RT	598.23	EOP
N	11+60.50	23.00' RT	598.31	BOS
O	11+74.20	8.00' LT	597.90	EOP
P	11+80.95	12.30' RT	598.30	EOP
Q	11+93.20	8.00' LT	598.10	EOP
R	12+01.20	8.00' LT	598.27	EOP
S	12+01.24	8.00' RT	598.19	EOP

EOP = EDGE OF PAVEMENT
BOS = BACK OF SIDEWALK
USFL = UPSTREAM FLOWLINE
DSFL = DOWNSTREAM FLOWLINE

MODEL: Default; FILE NAME: S:\CAD Drawings\CAD Drawings\250-141-0-Dana Thomas House\Construction Drawings\0646911.dwg; 012 Proposed Grading and Drainage South.dwg

USER NAME = jbeque	DESIGNED - S.D.K.	REVISED -
	DRAWN - J.E.B.	REVISED -
PLOT SCALE = 20.0000' / in.	CHECKED - R.H.D.	REVISED -
PLOT DATE = 6/18/2021	DATE - 06/21/21	REVISED -

STATE OF ILLINOIS
DEPARTMENT OF TRANSPORTATION

PROPOSED GRADING AND DRAINAGE PLAN - SOUTH
DANA THOMAS HOUSE

SCALE: SHEET OF SHEETS STA. TO STA.

F.A. RTE.	SECTION	COUNTY	TOTAL SHEETS	SHEET No.
	DANA THOMAS 2019	SANGAMON	22	12
ILLINOIS FED. AID PROJECT			CONTRACT No. 46911	

JOB No. 250-141-0 VASCONCELLES ENGINEERING CORP. DESIGN FIRM REGISTRATION NUMBER 184-002107

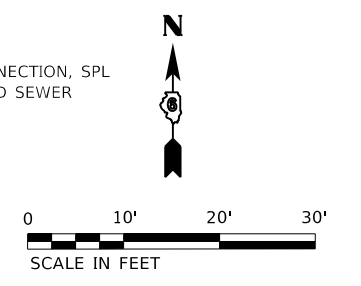
20800150
TRENCH BACKFILL
13+51.30, 13.00' LT TO
13+61.00, 6.50' LT
3.5 CU YD

550A0050
STORM SEWERS, CLASS A
TYPE 1 12"
13+48.50, 15.00' LT TO
13+60.50, 6.50' LT
USFL ELEV 590.77
DSFL ELEV 590.70
14 FOOT @ 0.50%

X6022230 MANHOLES, TYPE A,
4'-DIAMETER, w/ SPL F & G AND
TRAP FOR COMBINED SEWER
-13+61.00, 6.50' LT
RIM ELEV 593.24
1 EACH

550A0050
STORM SEWERS, CLASS A,
TYPE 1, 12"
13+61.00, 9.00' RT TO
13+61.00, 6.50' LT
USFL ELEV 591.00
DSFL ELEV 590.87
12 FOOT @ 1.00%

NOTE A:
XX000717
STORM SEWER CONNECTION, SPL
TRAP FOR COMBINED SEWER
13+61.00, 6.50' LT
1 EACH



61140400
STORM SEWERS,
(SPECIAL), 15"
13+48.00, 30.00' LT TO
13+48.00, 15.00' LT
USFL ELEV 591.14
DSFL ELEV 591.10
13 FOOT @ 0.30%

X6020710
CATCH BASINS TO BE ADJUSTED WITH
SPECIAL FRAME AND GRATE
13+61.00, 12.70' LT
RIM ELEV 593.26
1 EACH

20800150
TRENCH BACKFILL
13+61.00, 6.50' LT TO
13+61.00, 9.00' RT
3.6 CU YD

61140400
STORM SEWERS,
(SPECIAL), 15"
13+45.00, 27.00' RT TO
13+48.50, 15.00' LT
USFL ELEV 591.22
DSFL ELEV 591.10
41 FOOT @ 0.30%

28000510 INLET FILTERS		
STATION	OFFSET	EACH
13+48.00	30.00' LT	1
13+45.00	27.00' RT	1
13+48.00	15.00' LT	1
13+61.00	12.70' LT	1
13+61.00	6.50' LT	1
13+61.00	9.00' RT	1

60234200
INLETS, TYPE A
TYPE 8 GRATE
13+48.00, 30.00' LT
RIM ELEV 593.30
1 EACH

X0800003
COARSE AGGREGATE
13+45.00, 37.00' LT TO
13+45.00, 35.00' RT
84 CU YD

28500100
FABRIC FORMED CONCRETE
REVTMENT MAT
12+95.50, 67.10' LT TO
13+11.50, 67.90' LT
5.3 SQ YD

12+94.00
66.93' LT
EL 597.27

X6062400
CONCRETE GUTTER (SPECIAL)
(SEE DETAIL ON SHEET 16)
13+45.67, 26.00' LT TO
13+48.00, 30.00' LT
5 FOOT

X6024200
MANHOLES, TYPE A, 6'-DIA
TY 1 FRAME, CLID, SPECIAL
13+48.50, 15.00' LT
RIM ELEV 594.10
1 EACH

X6062400
CONCRETE GUTTER (SPECIAL)
(SEE DETAIL ON SHEET 16)
13+39.50, 26.40' RT TO
13+45.00, 27.00' RT
6 FOOT

60234200
INLETS, TYPE A,
TYPE 8 GRATE
13+45.00, 27.00' RT
RIM ELEV 594.40
1 EACH

NOTE:
WORK THIS SHEET WITH
SHEETS 13 & 14 OF 21

VACATED ALLEY

EXISTING
GARAGE

STATE OF ILLINOIS
DEPARTMENT OF TRANSPORTATION

PROPOSED GRADING AND DRAINAGE PLAN - NORTH
DANA THOMAS HOUSE

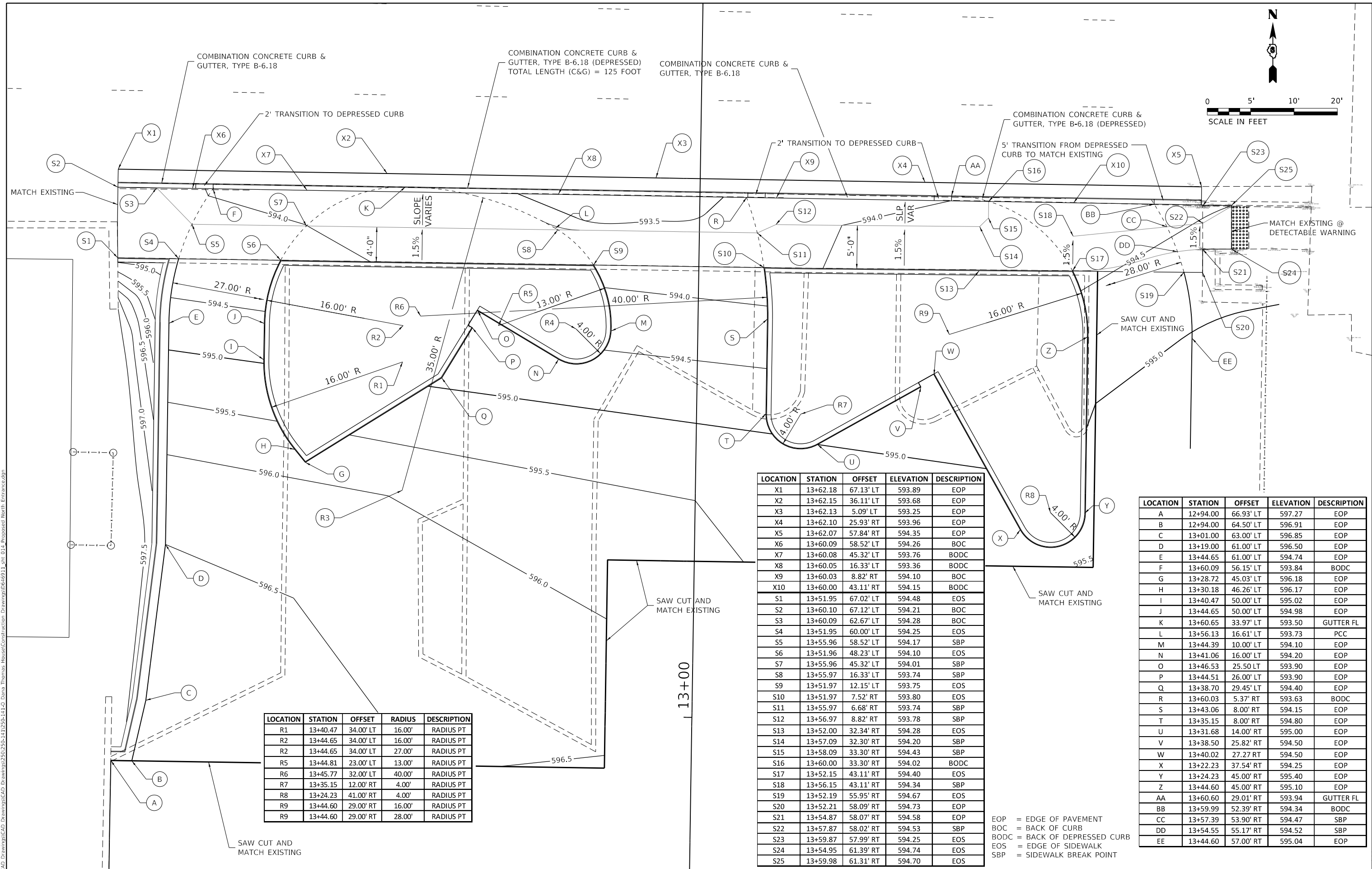
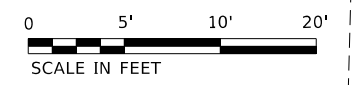
USER NAME = jbeque	DESIGNED - S.D.K.	REVISED -
	DRAWN - J.E.B.	REVISED -
PLOT SCALE = 20.0000' / in.	CHECKED - R.H.D.	REVISED -
PLOT DATE = 6/18/2021	DATE - 06/21/21	REVISED -

SCALE: 1"=20' SHEET OF SHEETS STA. TO STA.

F.A. RTE.	SECTION	COUNTY	TOTAL SHEETS	SHEET No.
	DANA THOMAS 2019	SANGAMON	22	13
			CONTRACT No. 46911	
		ILLINOIS FED. AID PROJECT		

MODEL: Default; FILE NAME: S:\CAD Drawings\CAD Drawings\250,350-141-0 Dana Thomas House\Construction Drawings\0646911.dwg; 013 Proposed Grading and Drainage North.dwg

JOB No. 250-141-0 VASCONCELLES ENGINEERING CORP. DESIGN FIRM REGISTRATION NUMBER 184-002107



LOCATION	STATION	OFFSET	RADIUS	DESCRIPTION
R1	13+40.47	34.00' LT	16.00'	RADIUS PT
R2	13+44.65	34.00' LT	16.00'	RADIUS PT
R2	13+44.65	34.00' LT	27.00'	RADIUS PT
R5	13+44.81	23.00' LT	13.00'	RADIUS PT
R6	13+45.77	32.00' LT	40.00'	RADIUS PT
R7	13+35.15	12.00' RT	4.00'	RADIUS PT
R8	13+24.23	41.00' RT	4.00'	RADIUS PT
R9	13+44.60	29.00' RT	16.00'	RADIUS PT
R9	13+44.60	29.00' RT	28.00'	RADIUS PT

LOCATION	STATION	OFFSET	ELEVATION	DESCRIPTION
X1	13+62.18	67.13' LT	593.89	EOP
X2	13+62.15	36.11' LT	593.68	EOP
X3	13+62.13	5.09' LT	593.25	EOP
X4	13+62.10	25.93' RT	593.96	EOP
X5	13+62.07	57.84' RT	594.35	EOP
X6	13+60.09	58.52' LT	594.26	BOC
X7	13+60.08	45.32' LT	593.76	BODC
X8	13+60.05	16.33' LT	593.36	BODC
X9	13+60.03	8.82' RT	594.10	BOC
X10	13+60.00	43.11' RT	594.15	BODC
S1	13+51.95	67.02' LT	594.48	EOS
S2	13+60.10	67.12' LT	594.21	BOC
S3	13+60.09	62.67' LT	594.28	BOC
S4	13+51.95	60.00' LT	594.25	EOS
S5	13+55.96	58.52' LT	594.17	SBP
S6	13+51.96	48.23' LT	594.10	EOS
S7	13+55.96	45.32' LT	594.01	SBP
S8	13+55.97	16.33' LT	593.74	SBP
S9	13+51.97	12.15' LT	593.75	EOS
S10	13+51.97	7.52' RT	593.80	EOS
S11	13+55.97	6.68' RT	593.74	SBP
S12	13+56.97	8.82' RT	593.78	SBP
S13	13+52.00	32.34' RT	594.28	EOS
S14	13+57.09	32.30' RT	594.20	SBP
S15	13+58.09	33.30' RT	594.43	SBP
S16	13+60.00	33.30' RT	594.02	BODC
S17	13+52.15	43.11' RT	594.40	EOS
S18	13+56.15	43.11' RT	594.34	SBP
S19	13+52.19	55.95' RT	594.67	EOS
S20	13+52.21	58.09' RT	594.73	EOP
S21	13+54.87	58.07' RT	594.58	EOP
S22	13+57.87	58.02' RT	594.53	SBP
S23	13+59.87	57.99' RT	594.25	EOS
S24	13+54.95	61.39' RT	594.74	EOS
S25	13+59.98	61.31' RT	594.70	EOS

LOCATION	STATION	OFFSET	ELEVATION	DESCRIPTION
A	12+94.00	66.93' LT	597.27	EOP
B	12+94.00	64.50' LT	596.91	EOP
C	13+01.00	63.00' LT	596.85	EOP
D	13+19.00	61.00' LT	596.50	EOP
E	13+44.65	61.00' LT	594.74	EOP
F	13+60.09	56.15' LT	593.84	BODC
G	13+28.72	45.03' LT	596.18	EOP
H	13+30.18	46.26' LT	596.17	EOP
I	13+40.47	50.00' LT	595.02	EOP
J	13+44.65	50.00' LT	594.98	EOP
K	13+60.65	33.97' LT	593.50	GUTTER FL
L	13+56.13	16.61' LT	593.73	PCC
M	13+44.39	10.00' LT	594.10	EOP
N	13+41.06	16.00' LT	594.20	EOP
O	13+46.53	25.50' LT	593.90	EOP
P	13+44.51	26.00' LT	593.90	EOP
Q	13+38.70	29.45' LT	594.40	EOP
R	13+60.03	5.37' RT	593.63	BODC
S	13+43.06	8.00' RT	594.15	EOP
T	13+35.15	8.00' RT	594.80	EOP
U	13+31.68	14.00' RT	595.00	EOP
V	13+38.50	25.82' RT	594.50	EOP
W	13+40.02	27.27' RT	594.50	EOP
X	13+22.23	37.54' RT	594.25	EOP
Y	13+24.23	45.00' RT	595.40	EOP
Z	13+44.60	45.00' RT	595.10	EOP
AA	13+60.60	29.01' RT	593.94	GUTTER FL
BB	13+59.99	52.39' RT	594.34	BODC
CC	13+57.39	53.90' RT	594.47	SBP
DD	13+54.55	55.17' RT	594.52	SBP
EE	13+44.60	57.00' RT	595.04	EOP

EOP = EDGE OF PAVEMENT
 BOC = BACK OF CURB
 BODC = BACK OF DEPRESSED CURB
 EOS = EDGE OF SIDEWALK
 SBP = SIDEWALK BREAK POINT

MODEL: Default
 FILE NAME: S:\CAD Drawings\CAD Drawings\250-141-0-Dana Thomas House\Construction Drawings\0646911.dwg, 014 Proposed North Entrance.dgn

USER NAME = jbeque	DESIGNED - S.D.K.	REVISED -
	DRAWN - J.E.B.	REVISED -
PLOT SCALE = 10.0000' / in.	CHECKED - R.H.D.	REVISED -
PLOT DATE = 6/18/2021	DATE - 06/21/21	REVISED -

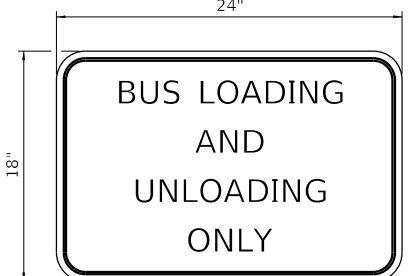
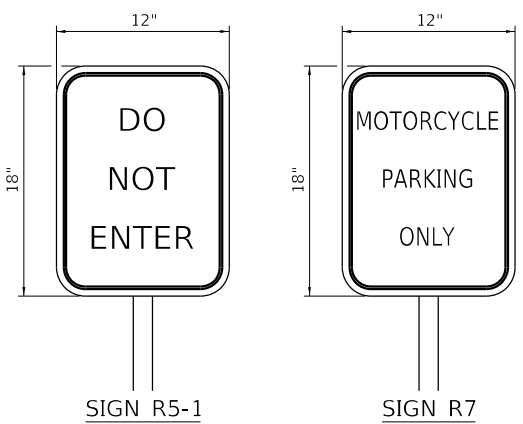
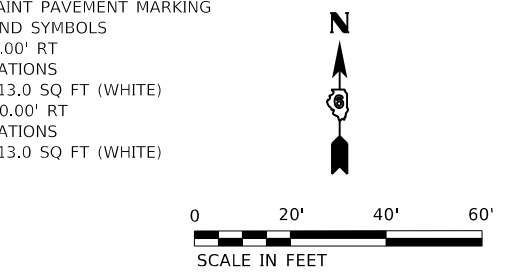
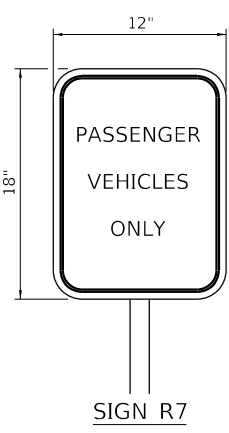
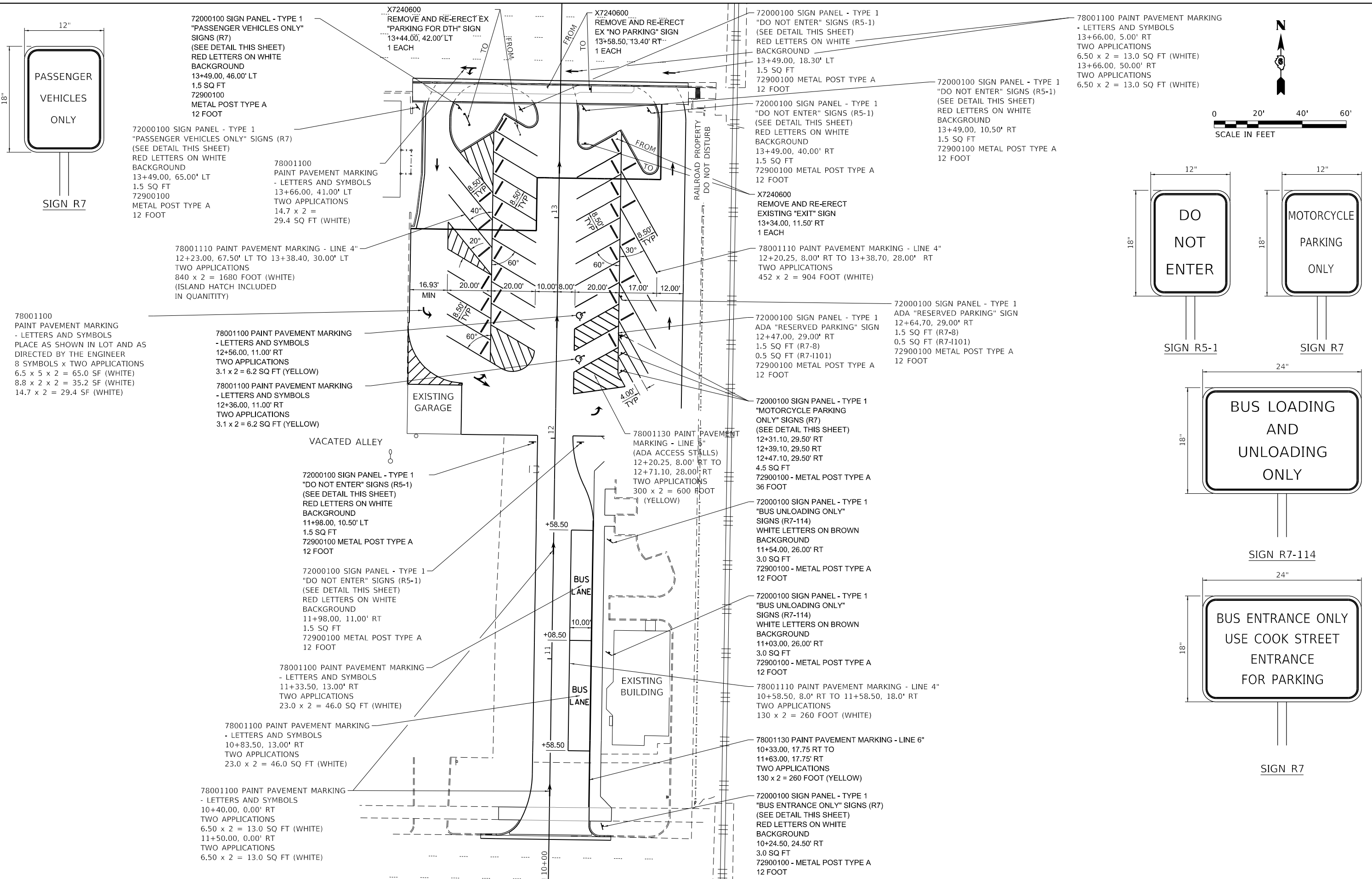
STATE OF ILLINOIS
DEPARTMENT OF TRANSPORTATION

PROPOSED LAYOUT & GRADING PLAN - NORTH ENTRANCE
DANA THOMAS HOUSE

SCALE: 1"=10' SHEET OF SHEETS STA. TO STA.

F.A. RTE.	SECTION	COUNTY	TOTAL SHEETS	SHEET No.
	DANA THOMAS 2019	SANGAMON	22	14
			CONTRACT No. 46911	
	ILLINOIS	FED. AID PROJECT		

JOB No. 250-141-0 VASCONCELLES ENGINEERING CORP. DESIGN FIRM REGISTRATION NUMBER 184-002.107



MODEL: Default; FILE NAME: S:\CAD Drawings\CAD Drawings\250-141-0-Dana Thomas House\Construction Drawings\0646911.dwg; 015 Proposed Signing and Striping.dwg

USER NAME = jbeque	DESIGNED - S.D.K.	REVISED -
DRAWN - J.E.B.	REVISED -	
PLOT SCALE = 40.0000' / in.	CHECKED - R.H.D.	REVISED -
PLOT DATE = 6/18/2021	DATE - 06/21/21	REVISED -

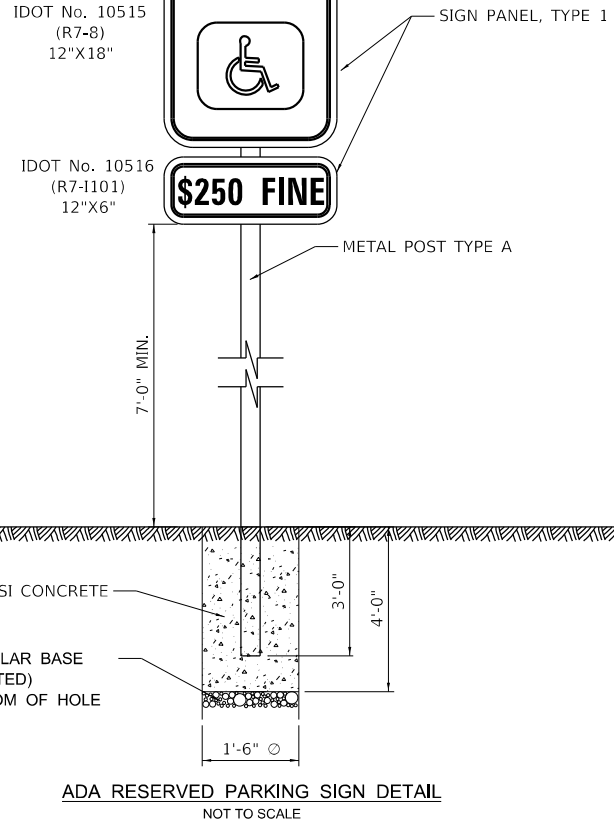
**STATE OF ILLINOIS
DEPARTMENT OF TRANSPORTATION**

PROPOSED SIGNING AND PAVEMENT MARKING PLAN DANA THOMAS HOUSE			
SCALE: 1"=20'	SHEET	OF SHEETS	STA. TO STA.

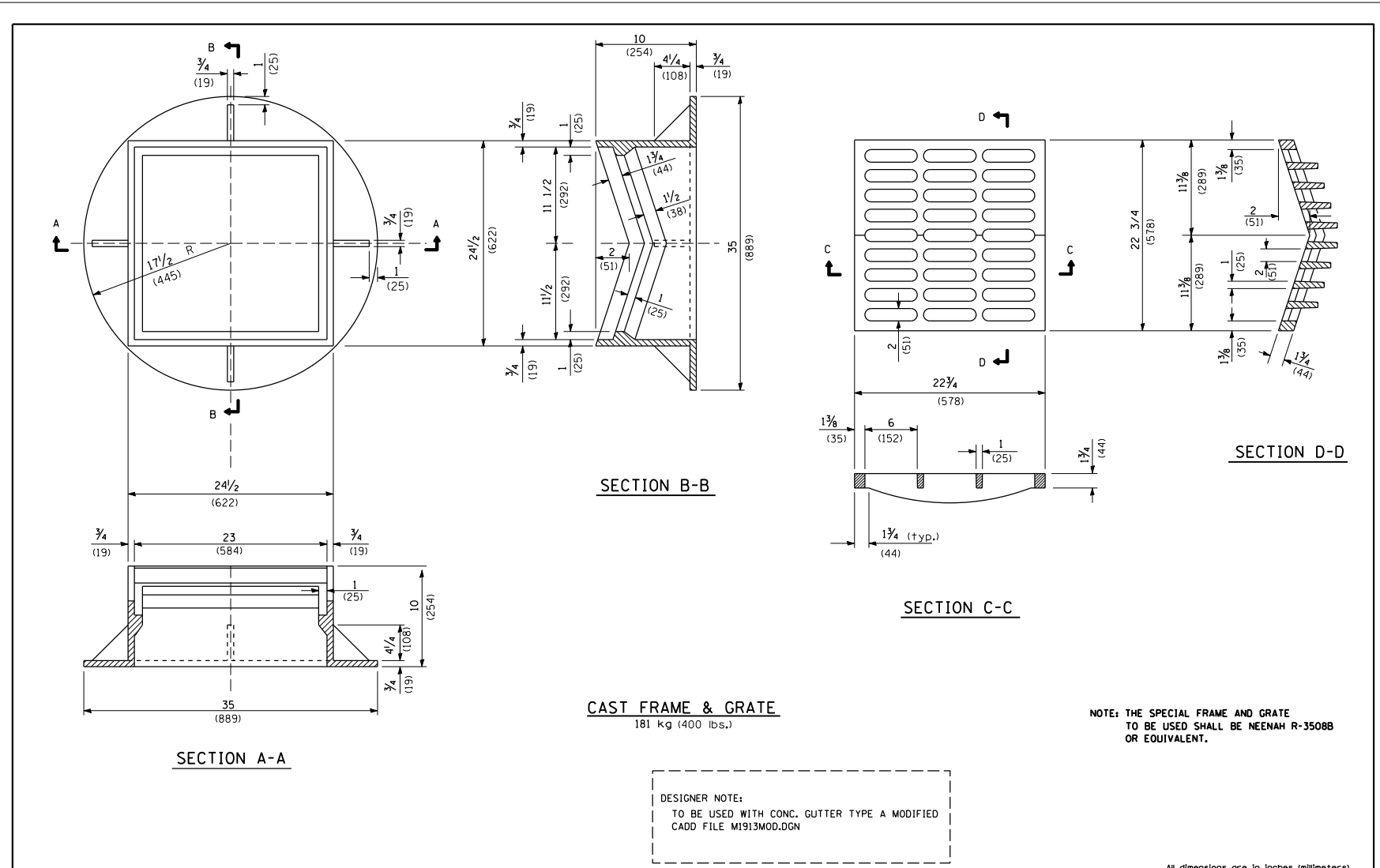
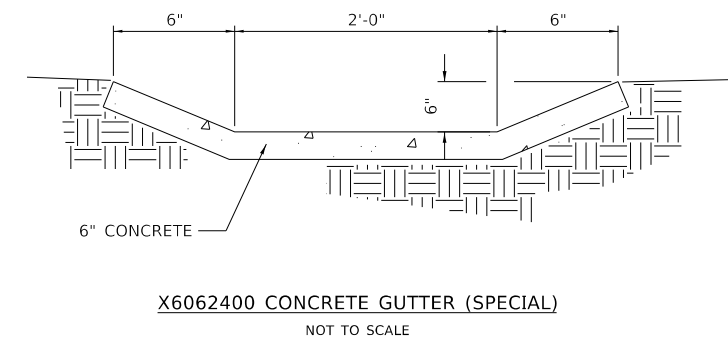
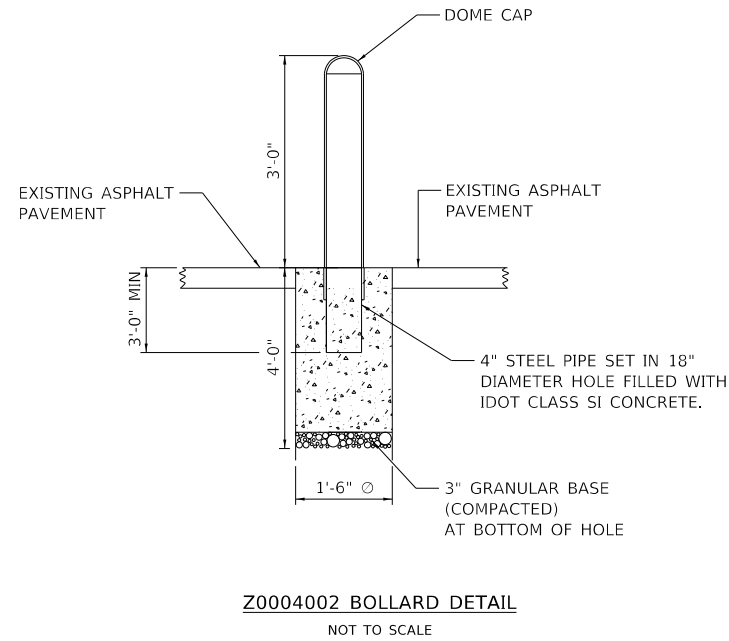
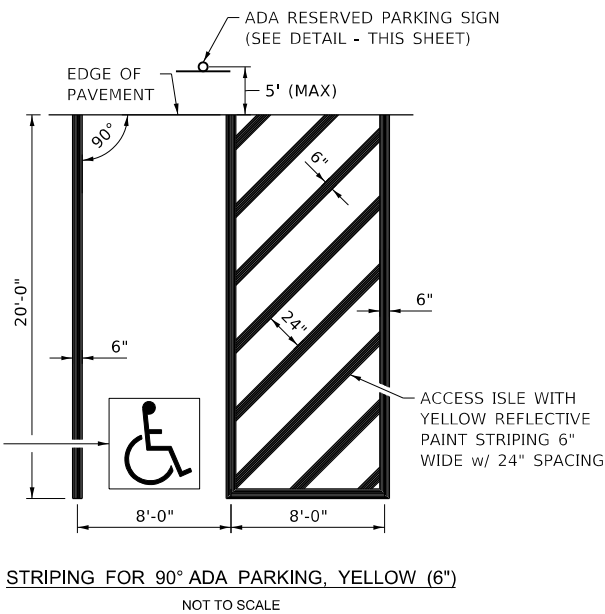
F.A. RTE.	SECTION	COUNTY	TOTAL SHEETS	SHEET No.
	DANA THOMAS 2019	SANGAMON	22	15
			CONTRACT No. 46911	
	ILLINOIS	FED. AID PROJECT		

JOB No. 250-141-0 VASCONCELLES ENGINEERING CORP. DESIGN FIRM REGISTRATION NUMBER 184-002107

NOTE
 THE SIGN PANEL AND SIGN SUPPORT SHALL BE PLACED AT EACH ADA PARKING STALL. THIS WORK WILL BE PAID FOR AT THE CONTRACT UNIT PRICE PER SQUARE FOOT FOR SIGN PANEL, TYPE 1 AND PER FOOT FOR TELESCOPING STEEL SIGN SUPPORT.



QUANTITIES:
 12 FOOT OF SIGN SUPPORT AND 2 SQ FT OF SIGN PANEL ARE REQUIRED AT EACH LOCATION.



FILE NAME: S:\CAD Drawings\CAD Drawings\250-350-141-0 Dana Thomas House\Construction Drawings\0646911.dwg	USER NAME: jbeque	DESIGNED: W.V.	REVISED:	STATE OF ILLINOIS DEPARTMENT OF TRANSPORTATION	DISTRICT 6 STANDARD FRAME AND GRATE	F.A. RTE.	SECTION	COUNTY	TOTAL SHEETS	SHEET No.
CAD2218.DGN	PLOT SCALE: 48.0000 1/8" = 1'-0"	CHECKED: W.V.	DATE: 6/12/96	SCALE:	SHEET OF SHEETS	STA.	TO STA.	ILLINOIS FED. AID PROJECT	CONTRACT No.	46911

USER NAME = jbeque	DESIGNED - S.D.K.	REVISED -
DRAWN - J.E.B.	CHECKED - R.H.D.	REVISED -
PLOT SCALE = 40.0000 1/8" = 1'-0"	DATE - 05/27/21	REVISED -

STATE OF ILLINOIS
 DEPARTMENT OF TRANSPORTATION

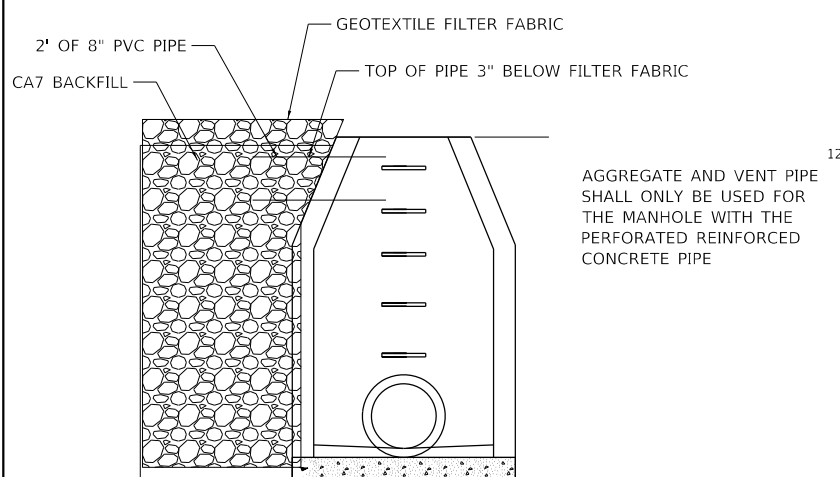
SITE DETAILS & DISTRICT 6 STANDARD
 DANA THOMAS HOUSE

SCALE: SHEET OF SHEETS STA. TO STA.

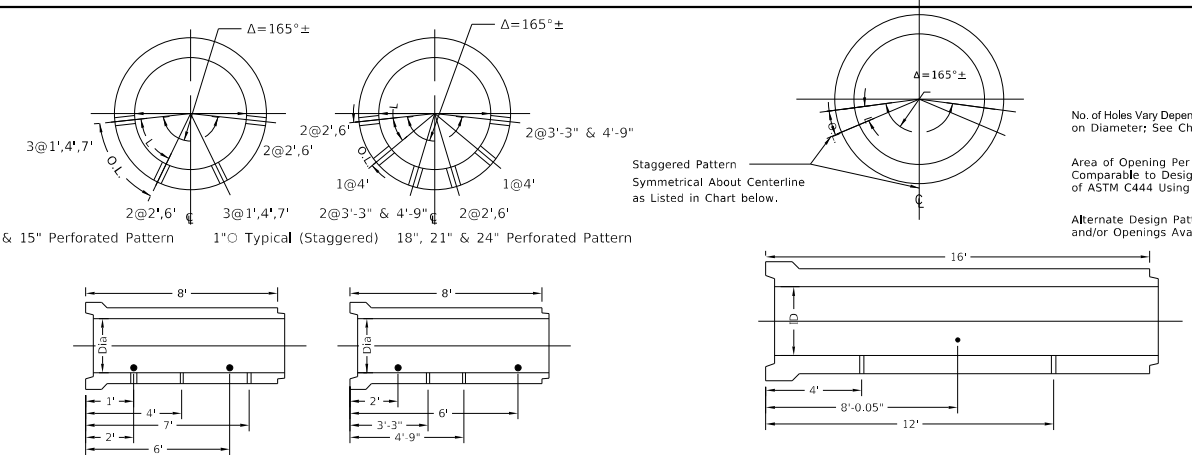
F.A. RTE.	SECTION	COUNTY	TOTAL SHEETS	SHEET No.
	DANA THOMAS 2019	SANGAMON	22	16
			CONTRACT No. 46911	
		ILLINOIS	FED. AID PROJECT	

MODEL: Default
 FILE NAME: S:\CAD Drawings\CAD Drawings\250-350-141-0 Dana Thomas House\Construction Drawings\0646911.dwg
 User: jbeque
 Date: 5/27/2021

JOB No. 250-141-0 VASCONCELLES ENGINEERING CORP. DESIGN FIRM REGISTRATION NUMBER 184-002107



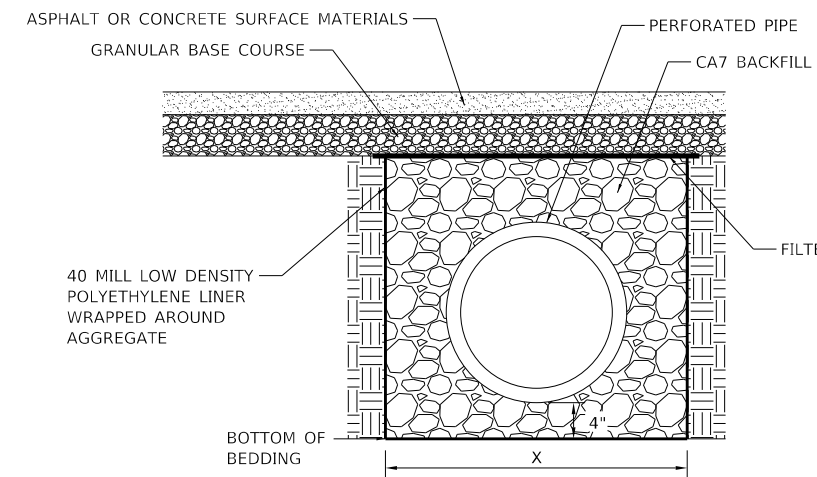
VENT FOR PERFORATED PIPE & AGGREGATE
NOT TO SCALE



NOTES:
Dimensions Shown are Measured from Bell End.
Area of Opening Per Foot Comparable to ASTM C444 Using 1" Diameter Holes.

Pipe Dia.	# of Rows	# of 1" Holes Per 8' Length	Comments	Open = IN ² /FT	L	O.L.
12"	4	10	Staggered 2/3/2/3	1.0	5 3/4"	7 7/8"
15"	4	10	Staggered 2/3/2/3	1.0	7 3/4"	9 3/4"
18"	6	10	Staggered 2/1/2/2/1/2	1.0	5 1/2"	6 3/4"
21"	6	10	Staggered 2/1/2/2/1/2	1.0	6"	7 3/4"
24"	6	10	Staggered 2/1/2/2/1/2	1.0	7"	8 3/4"

Pipe Dia.	# of Rows	# of 1" Holes Per 8' Length	Sym. Stagger Pattern	Open = IN ² /FT	L	O.L.
27"	8	12	1/2/1/2	1.2	5 1/2"	6 3/4"
30"	8	12	1/2/1/2	1.2	6 1/2"	7 3/4"
33"	8	12	1/2/1/2	1.2	6 3/4"	8 3/4"
36"	8	12	1/2/1/2	1.2	7 1/4"	9"
42"	10	14	1/2/1/2/1	1.4	6 1/2"	8 3/4"
48"	12	18	2/1/2/1/2/1	1.8	6 1/2"	7 3/4"
54"	14	20	1/2/1/2/1/2/1	2.0	6"	7 3/4"
60"	14	20	1/2/1/2/1/2/1	2.0	6 1/2"	8 3/4"
66"	16	24	2/1/2/1/2/1/2/1	2.4	6 1/2"	7 3/4"
72"	16	24	2/1/2/1/2/1/2/1	2.4	6 1/2"	8 3/4"



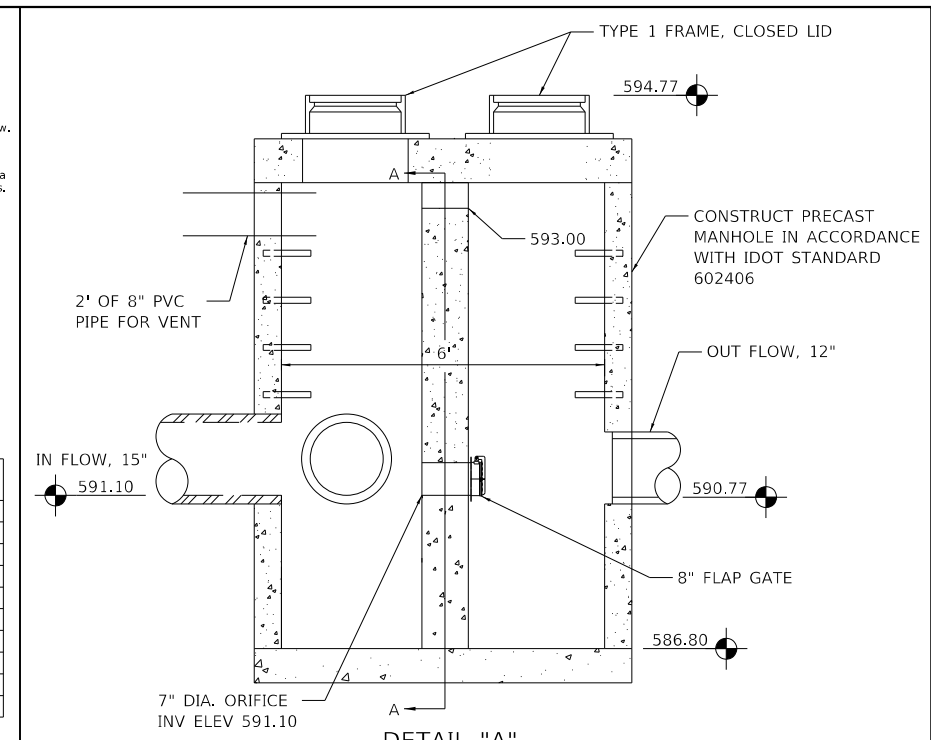
CORRUGATED P.E. PIPE WITH SMOOTH INTERIOR SHALL BE COMPLIANT WITH AASHTO M294 WITH CLASS 1 PERFORATIONS AND WITH THE SIZE & AREA OF OPENINGS PER 8 FT OF PIPE LENGTH MEETING THE CRITERIA SHOWN IN THE ABOVE DETAIL.

MINIMUM FULL DEPTH WIDTH OF AGGREGATE

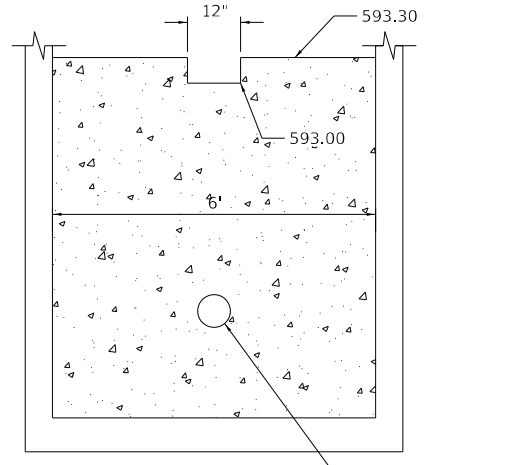
X = 6.0' FROM STA 10+74.50, 3.00' LT TO STA 11+94.00, 16.00' LT
X = 6.5' FROM STA 11+94.00, 16.00' RT TO STA 11+94.00, 16.00' LT
X = 14.5' FROM STA 13+45.00, 40.00' LT TO STA 13+45.00, 27.00' RT

COARSE AGGREGATE BACKFILL FOR PERFORATED PIPE
NOT TO SCALE

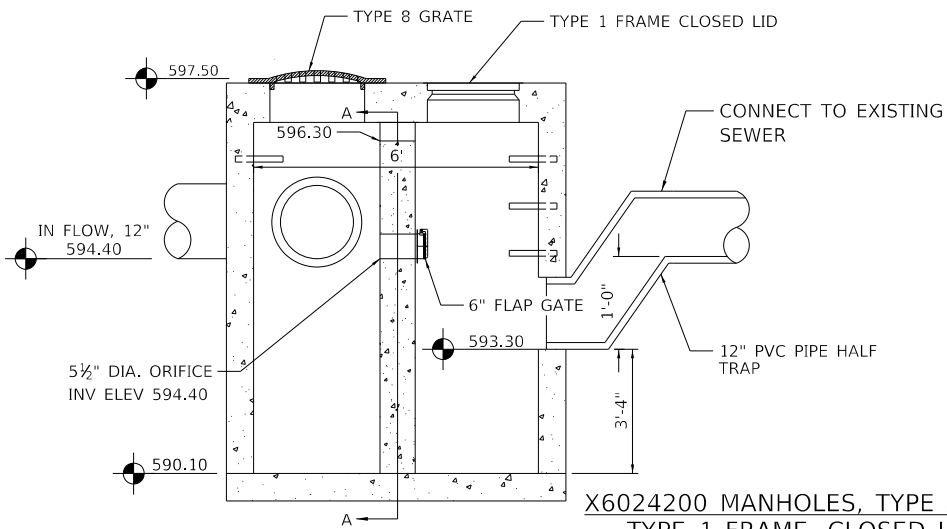
PERFORATED PIPE DETAIL
NOT TO SCALE



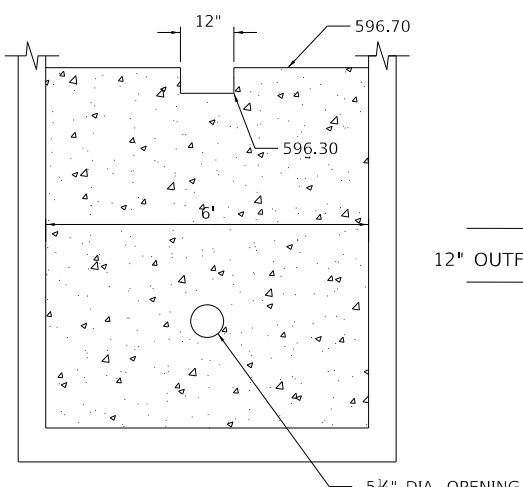
DETAIL "A"
NOT TO SCALE



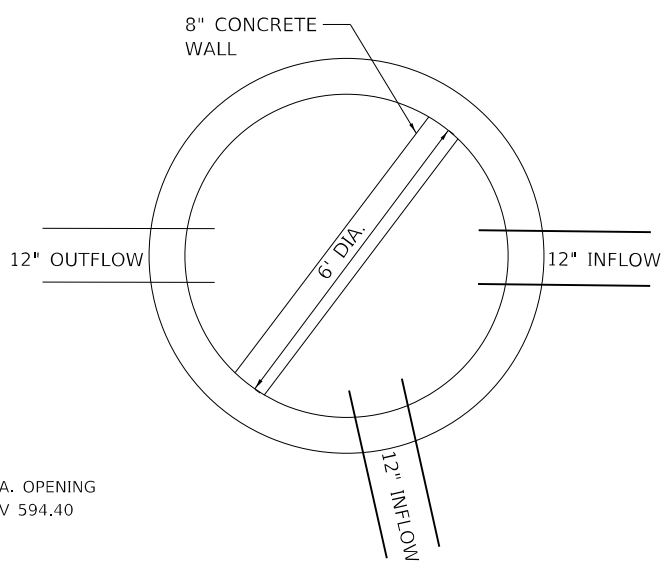
SECTION A-A
NOT TO SCALE



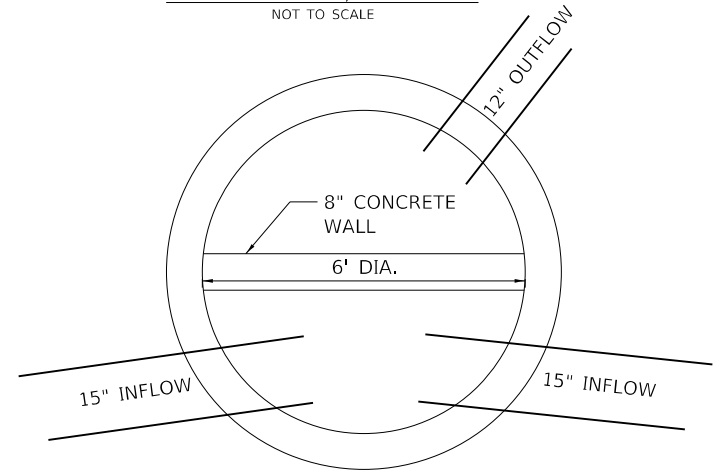
X6024200 MANHOLES, TYPE A, 6'-DIAMETER
TYPE 1 FRAME, CLOSED LID, SPECIAL
STA 11+94.00, 16.00' LT
NOT TO SCALE



SECTION A-A
NOT TO SCALE



X6024200 MANHOLES, TYPE A, 6'-DIAMETER
TYPE 1 FRAME, CLOSED LID, SPECIAL
STA 13+48.50, 15.00' LT
NOT TO SCALE



MODEL: D:\dtd\11-11-20\1410-Dana Thomas House\Construction Drawings\0646911.dwg, 01/16/2017, Site & Storm Sewer Details.dgn

USER NAME = jbeque	DESIGNED - S.D.K.	REVISED -
PLOT SCALE = 40.0000' / in.	DRAWN - J.E.B.	REVISED -
PLOT DATE = 5/27/2021	CHECKED - R.H.D.	REVISED -
	DATE - 05/27/21	REVISED -

STATE OF ILLINOIS
DEPARTMENT OF TRANSPORTATION

SCALE:	SHEET	OF	SHEETS	STA.	TO	STA.
--------	-------	----	--------	------	----	------

STORM SEWER DETAILS
DANA THOMAS HOUSE

F.A. RTE.	SECTION	COUNTY	TOTAL SHEETS	SHEET No.
	DANA THOMAS 2019	SANGAMON	22	17
ILLINOIS FED. AID PROJECT			CONTRACT No. 46911	

JOB No. 250-1410-VASCONCELLES ENGINEERING CORP. DESIGN FIRM REGISTRATION NUMBER 184-002107



X8300001 LIGHT POLE, SPECIAL
STA 13+25.00, 30.00' LT
1 EACH

X1400212 LUMINAIRE, LED, HORIZONTAL
MOUNT, VERY LOW WATTAGE
STA 13+25.00, 30.00' LT
2 EACH

83600200 LIGHT POLE FOUNDATION,
24" DIAMETER
STA 13+25.00, 30.00' LT
14 FOOT

81028310 UNDERGROUND CONDUIT,
PVC, 3/4" DIA.
STA 12+44.00, 30.00' LT TO
STA 13+25.00, 30.00' LT
79 FOOT

81702450 ELECTRIC CABLE IN CONDUIT,
600V (XLP-TYPE USE) 3-1/C No. 10
STA 12+44.00, 30.00' LT TO
STA 13+25.00, 30.00' LT
112 FOOT

X8300001 LIGHT POLE, SPECIAL
STA 12+44.00, 30.00' LT
1 EACH

X1400212 LUMINAIRE, LED, HORIZONTAL
MOUNT, VERY LOW WATTAGE
STA 12+44.00, 30.00' LT
2 EACH

83600200 LIGHT POLE FOUNDATION,
24" DIAMETER
STA 12+44.00, 30.00' LT
14 FOOT

81028310 UNDERGROUND CONDUIT,
PVC, 3/4" DIA.
STA 11+71.00, 25.17' RT TO
STA 12+44.00, 30.00' LT
92 FOOT

81702450 ELECTRIC CABLE IN CONDUIT,
600V (XLP-TYPE USE) 3-1/C No. 10
STA 11+71.00, 25.17' RT TO
STA 12+44.00, 30.00' LT
123 FOOT

VACATED ALLEY

REMOVE EXISTING LIGHT POLE AND
CONCRETE FOUNDATION TO 3'-0"
BELOW GRADE. INTERCEPT EXISTING
UNDERGROUND CONDUIT TO REMAIN
WITH NEW UNDERGROUND CONDUIT
JOIN WITH CONDUIT ADAPTER AND
SEAL WATER TIGHT.

81028310 UNDERGROUND CONDUIT,
PVC, 3/4" DIA.
STA 11+09.00, 25.17' RT TO
STA 11+71.00, 25.17' RT
60 FOOT

81702450 ELECTRIC CABLE IN CONDUIT,
600V (XLP-TYPE USE) 3-1/C No. 10
STA 11+09.00, 25.17' RT TO
STA 11+71.00, 25.17' RT
89 FOOT

81028310 UNDERGROUND CONDUIT,
PVC, 3/4" DIA.
STA 10+47.00, 25.17' RT TO
STA 11+09.00, 25.17' RT
60 FOOT

81702450 ELECTRIC CABLE IN CONDUIT,
600V (XLP-TYPE USE) 3-1/C No. 10
STA 10+47.00, 25.17' RT TO
STA 11+09.00, 25.17' RT
89 FOOT

EXISTING
GARAGE

BUS
LANE

EXISTING WIREWAY
AND CONTACTOR.
CONNECT NEW
LIGHTING
CONDUCTORS
TO EXISTING
CONTACTOR

EXISTING
BUILDING

PROVIDE 2'-2" SETBACK
FROM SIDEWALK TO
CENTER OF LIGHT POLE.
TYPICAL OF THREE
SINGLE-MOUNT LUMINAIRES.

RAILROAD PROPERTY
DO NOT DISTURB

X8300001 LIGHT POLE, SPECIAL
STA 13+25.00, 28.00' RT
1 EACH

X1400212 LUMINAIRE, LED, HORIZONTAL
MOUNT, VERY LOW WATTAGE
STA 13+25.00, 28.00' RT
2 EACH

83600200 LIGHT POLE FOUNDATION,
24" DIAMETER
STA 13+25.00, 28.00' RT
14 FOOT

81028310 UNDERGROUND CONDUIT,
PVC, 3/4" DIA.
STA 12+44.00, 28.00' RT TO
STA 13+25.00, 28.00' RT
76 FOOT

81702450 ELECTRIC CABLE IN CONDUIT,
600V (XLP-TYPE USE) 3-1/C No. 10
STA 12+44.00, 28.00' RT TO
STA 13+25.00, 28.00' RT
109 FOOT

X8300001 LIGHT POLE, SPECIAL
STA 12+44.00, 28.00' RT
1 EACH

X1400212 LUMINAIRE, LED, HORIZONTAL
MOUNT, VERY LOW WATTAGE
STA 12+44.00, 28.00' RT
2 EACH

83600200 LIGHT POLE FOUNDATION,
24" DIAMETER
STA 12+44.00, 28.00' RT
14 FOOT

X8300001 LIGHT POLE, SPECIAL
STA 11+71.00, 25.17' RT
1 EACH

X1400212 LUMINAIRE, LED, HORIZONTAL
MOUNT, VERY LOW WATTAGE
STA 11+71.00, 25.17' RT
1 EACH

83600200 LIGHT POLE FOUNDATION,
24" DIAMETER
STA 11+71.00, 25.17' RT
14 FOOT

EXISTING CONDUIT
TO REMAIN

X8300001 LIGHT POLE, SPECIAL
STA 11+09.00, 25.17' RT
1 EACH

X1400212 LUMINAIRE, LED, HORIZONTAL
MOUNT, VERY LOW WATTAGE
STA 11+09.00, 25.17' RT
1 EACH

83600200 LIGHT POLE FOUNDATION,
24" DIAMETER
STA 11+09.00, 25.17' RT
14 FOOT

X8300001 LIGHT POLE, SPECIAL
STA 10+47.00, 25.17' RT
1 EACH

X1400212 LUMINAIRE, LED, HORIZONTAL
MOUNT, VERY LOW WATTAGE
STA 10+47.00, 25.17' RT
1 EACH

83600200 LIGHT POLE FOUNDATION,
24" DIAMETER
STA 10+47.00, 25.17' RT
14 FOOT

LIGHT FIXTURE No. 2 TO LIGHT FIXTURE No. 3

81028310 UNDERGROUND CONDUIT,
PVC, 3/4" DIA.
STA 13+25.00, 28.00' RT TO
STA 13+25.00, 30.00' LT
56 FOOT

81702450 ELECTRIC CABLE IN CONDUIT,
600V (XLP-TYPE USE) 3-1/C No. 10
STA 13+25.00, 28.00' RT TO
STA 13+25.00, 30.00' LT
58 FOOT

LIGHT FIXTURE No. 1 TO LIGHT FIXTURE No. 4

81028310 UNDERGROUND CONDUIT,
PVC, 3/4" DIA.
STA 12+44.00, 28.00' RT TO
STA 12+44.00, 30.00' LT
56 FOOT

81702450 ELECTRIC CABLE IN CONDUIT,
600V (XLP-TYPE USE) 3-1/C No. 10
STA 12+44.00, 28.00' RT TO
STA 12+44.00, 30.00' LT
58 FOOT

LEGEND

- PROPOSED SINGLE-MOUNT AREA LED LUMINAIRE, 240V
- PROPOSED DUAL-MOUNT AREA LED LUMINAIRE, 240V

GENERAL NOTES

SEE REMOVAL PLAN SHEET FOR AREAS OF EXISTING
CONCRETE PARKING LOT TO REMAIN

PROVIDE TWO No. 10 AWG AND ONE No. 10 AWG
GROUND WIRE IN ALL NEW AND EXISTING UNDERGROUND
RACEWAYS TO REMAIN

ALL EXISTING CONDUCTORS TO EXISTING LIGHTING UNITS
SHALL BE REMOVED FROM EXISTING CONDUIT TO REMAIN
BACK TO SOURCE

COORDINATE ALL WORK WITH OTHER TRADES

MOEFL: Default; FILE NAME: S:\CAD Drawings\CAD Drawings\2020\250-141-0 Dana Thomas House\Construction Drawings\0646911.dwg; 018 Proposed Electrical Plan.dgn

USER NAME = jbeque	DESIGNED - S.D.K.	REVISED -
	DRAWN - J.E.B.	REVISED -
PLOT SCALE = 40.0000' / in.	CHECKED - R.H.D.	REVISED -
PLOT DATE = 5/27/2021	DATE - 05/27/21	REVISED -

**STATE OF ILLINOIS
DEPARTMENT OF TRANSPORTATION**

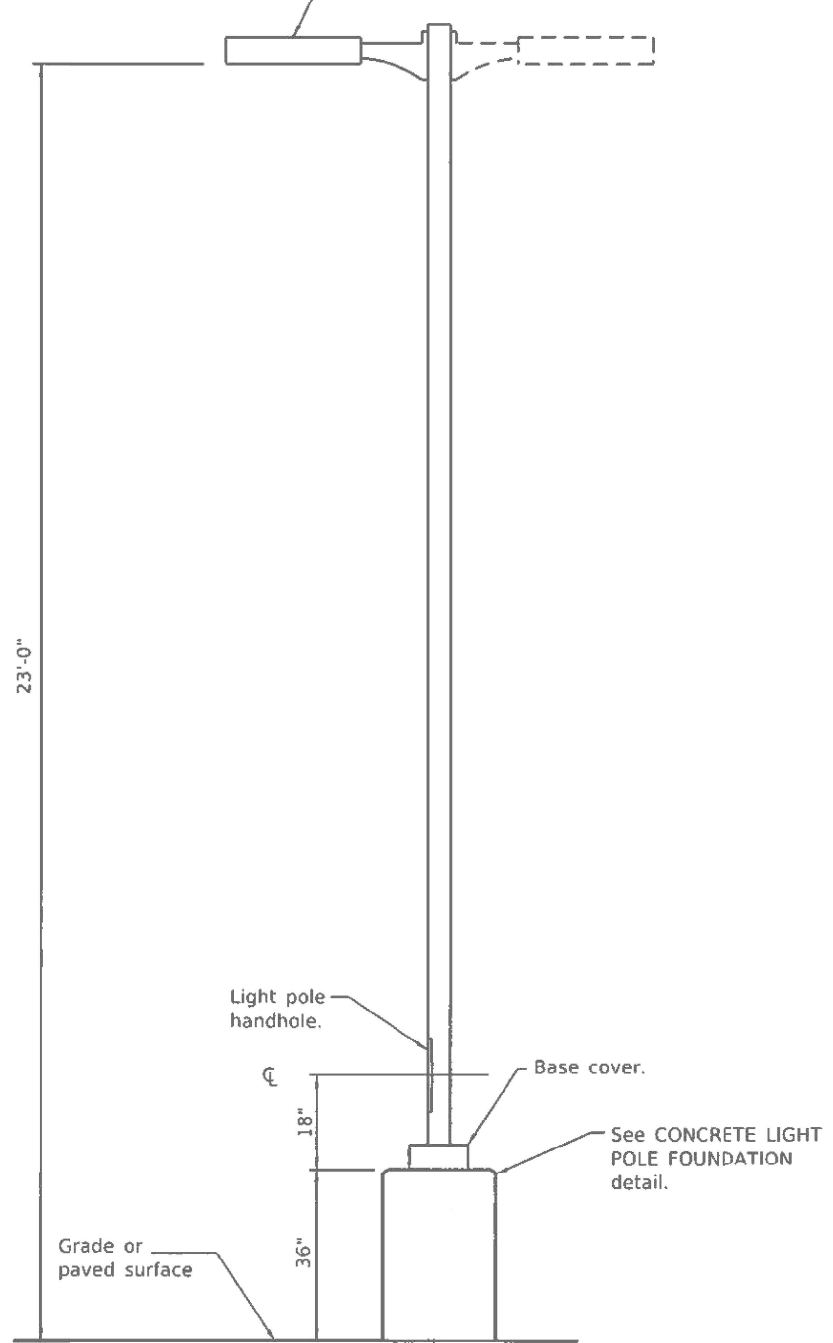
**PROPOSED ELECTRICAL PLAN
DANA THOMAS HOUSE**

SCALE: 1"=20' SHEET OF SHEETS STA. TO STA.

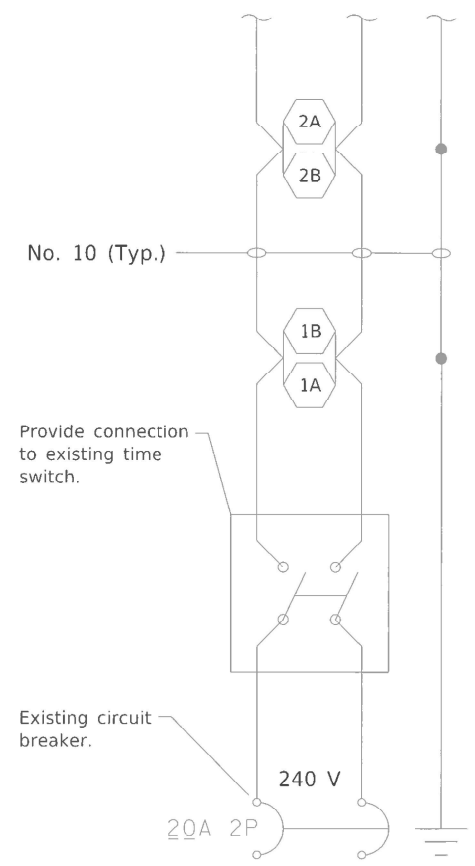
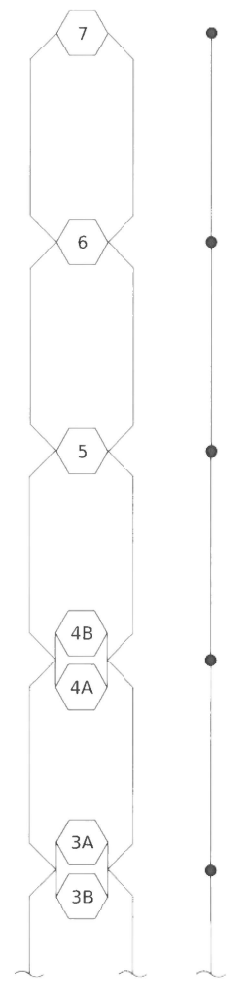
F.A. RTE.	SECTION	COUNTY	TOTAL SHEETS	SHEET No.
	DANA THOMAS 2019	SANGAMON	22	18
			CONTRACT No. 46911	
		ILLINOIS	FED. AID PROJECT	

JOB No. 250-141-0 VASCONCELLES ENGINEERING CORP. DESIGN FIRM REGISTRATION NUMBER 184-002107

Area luminaire with 10' mounting arm. Drill mount to square pole per manufacturer's requirements. Provide two luminaires at 180° apart where shown. Luminaire(s) shall be painted dark bronze to match light pole color.



LIGHT POLE ELEVATION



Wiring Diagram
Contract No. 46911
Dana Thomas House
Parking

MODEL: Default; FILE NAME: S:\CAD Drawings\CAD Drawings\250-350-141-250-141-0 Dana Thomas House\Construction Drawings\0646911.dwg; 01/19/2020; Electrical Details.dwg

USER NAME = jbeque	DESIGNED - S.D.K.	REVISED -
	DRAWN - J.E.B.	REVISED -
PLOT SCALE = 2.0000' / in.	CHECKED - R.H.D.	REVISED -
PLOT DATE = 5/27/2021	DATE - 05/27/21	REVISED -

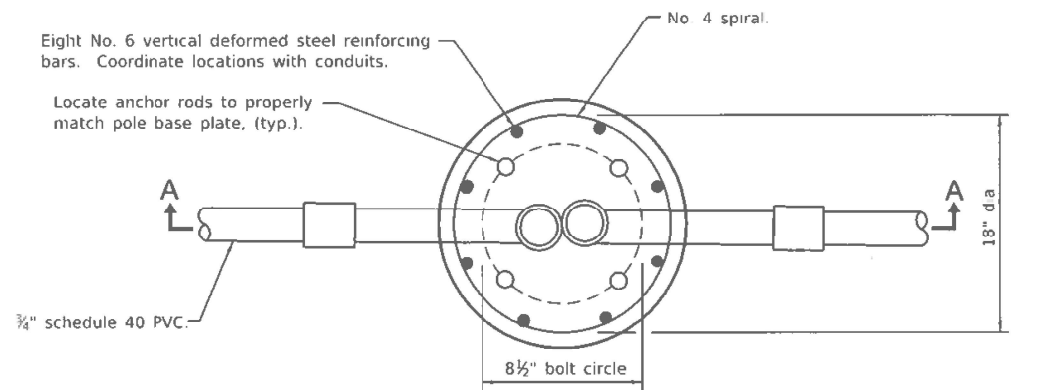
STATE OF ILLINOIS
DEPARTMENT OF TRANSPORTATION

ELECTRICAL DETAILS
DANA THOMAS HOUSE

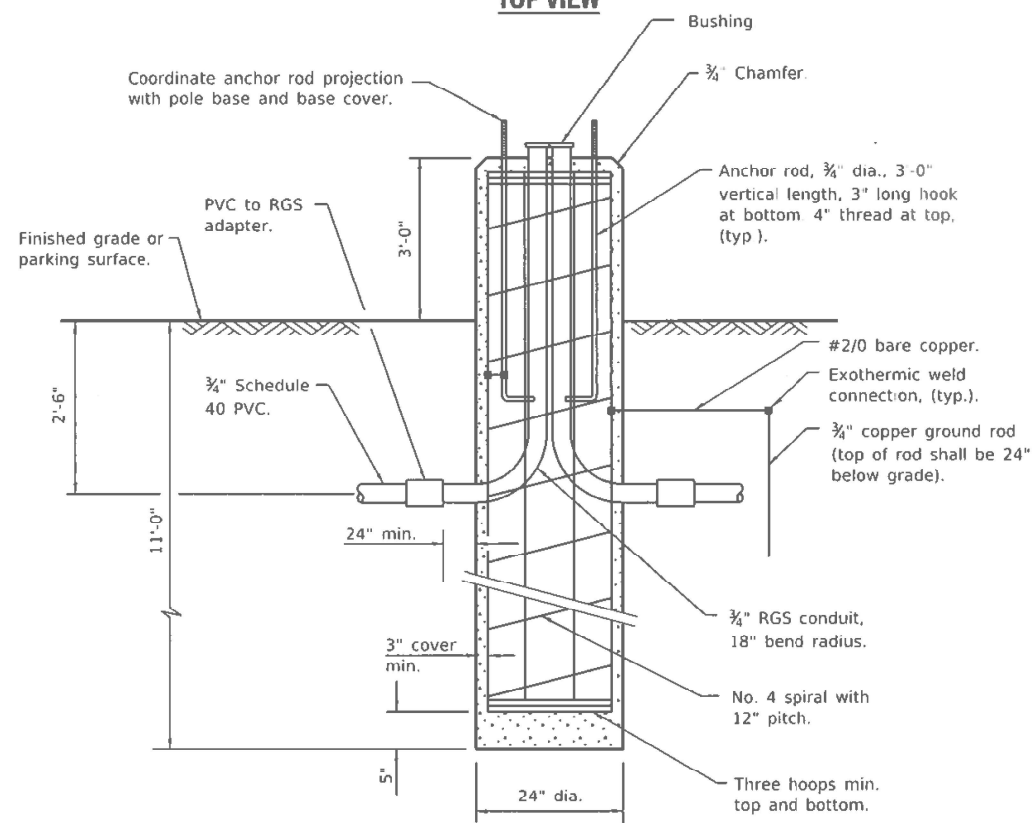
SCALE: SHEET OF SHEETS STA. TO STA.

F.A. RTE.	SECTION	COUNTY	TOTAL SHEETS	SHEET No.
	DANA THOMAS 2019	SANGAMON	22	19
			CONTRACT No. 46911	
		ILLINOIS	FED. AID PROJECT	

JOB No. 250-141-0 VASCONCELLES ENGINEERING CORP. DESIGN FIRM REGISTRATION NUMBER 184-002107



TOP VIEW



SECTION A-A

GENERAL NOTES

Provide temporary casing to a depth of 5'-6" for stabilization of excavation prior to pouring concrete.

Provide one conduit elbow in foundation at end of lighting circuit.

Coordinate installations of light pole foundation with all parking lot excavation by others.

CONCRETE LIGHT POLE FOUNDATION

DETAIL

MODEL: D:\p\h\...
 FILE NAME: S:\CAD Drawings\CAD Drawings\250-350-141-0 Dana Thomas House\Construction Drawings\0646911.dwg 019-020 Electrical Details.dwg

USER NAME = jbeque	DESIGNED - S.D.K.	REVISED -
	DRAWN - J.E.B.	REVISED -
PLOT SCALE = 2.0000' / in.	CHECKED - R.H.D.	REVISED -
PLOT DATE = 5/27/2021	DATE - 05/27/21	REVISED -

**STATE OF ILLINOIS
DEPARTMENT OF TRANSPORTATION**

**ELECTRICAL DETAILS
DANA THOMAS HOUSE**

SCALE: SHEET OF SHEETS STA. TO STA.

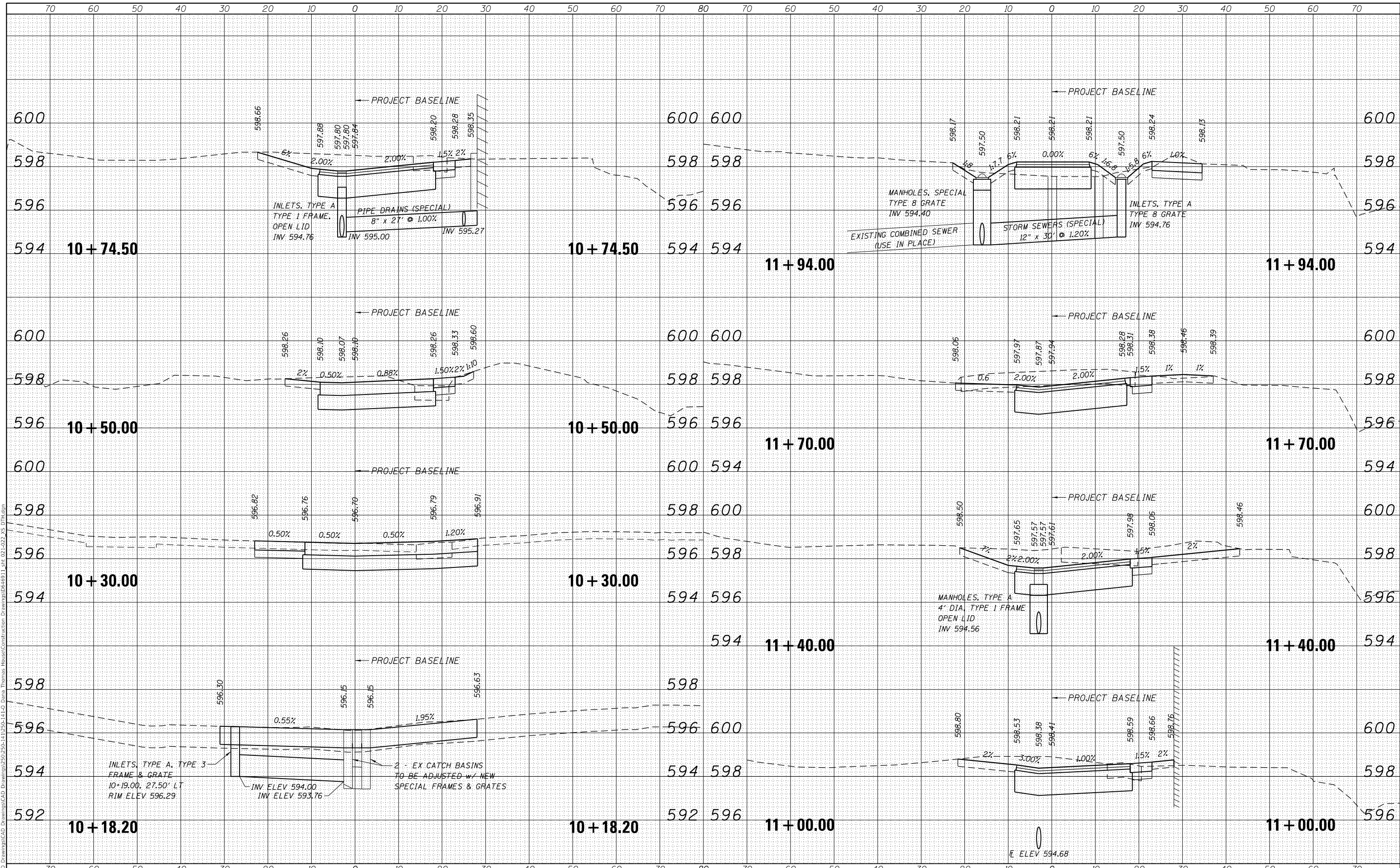
F.A. RTE.	SECTION	COUNTY	TOTAL SHEETS	SHEET No.
	DANA THOMAS 2019	SANGAMON	22	20
			CONTRACT No. 46911	
		ILLINOIS	FED. AID PROJECT	

JOB No. 250-141-0 VASCONCELLES ENGINEERING CORP. DESIGN FIRM REGISTRATION NUMBER 184-002107

DATE	
BY	
FINAL SURVEY	SURVEYED
NOTE BOOK	PLOTTED
NO.	TEMPLATE
	AREAS CHECKED

DATE	
BY	
ORIGINAL SURVEY	SURVEYED
NOTE BOOK	PLOTTED
NO.	TEMPLATE
	AREAS CHECKED

MODEL: Default
FILE NAME: S:\CAD Drawings\CAD Drawings\2023\1412\23-1412-Dana Thomas House Construction Drawings\061911_sht_02-1022_VS_DTH.dgn



USER NAME	= jbeque
DESIGNED	- S.D.K.
DRAWN	- J.E.B.
CHECKED	- R.H.D.
DATE	- 06/21/21

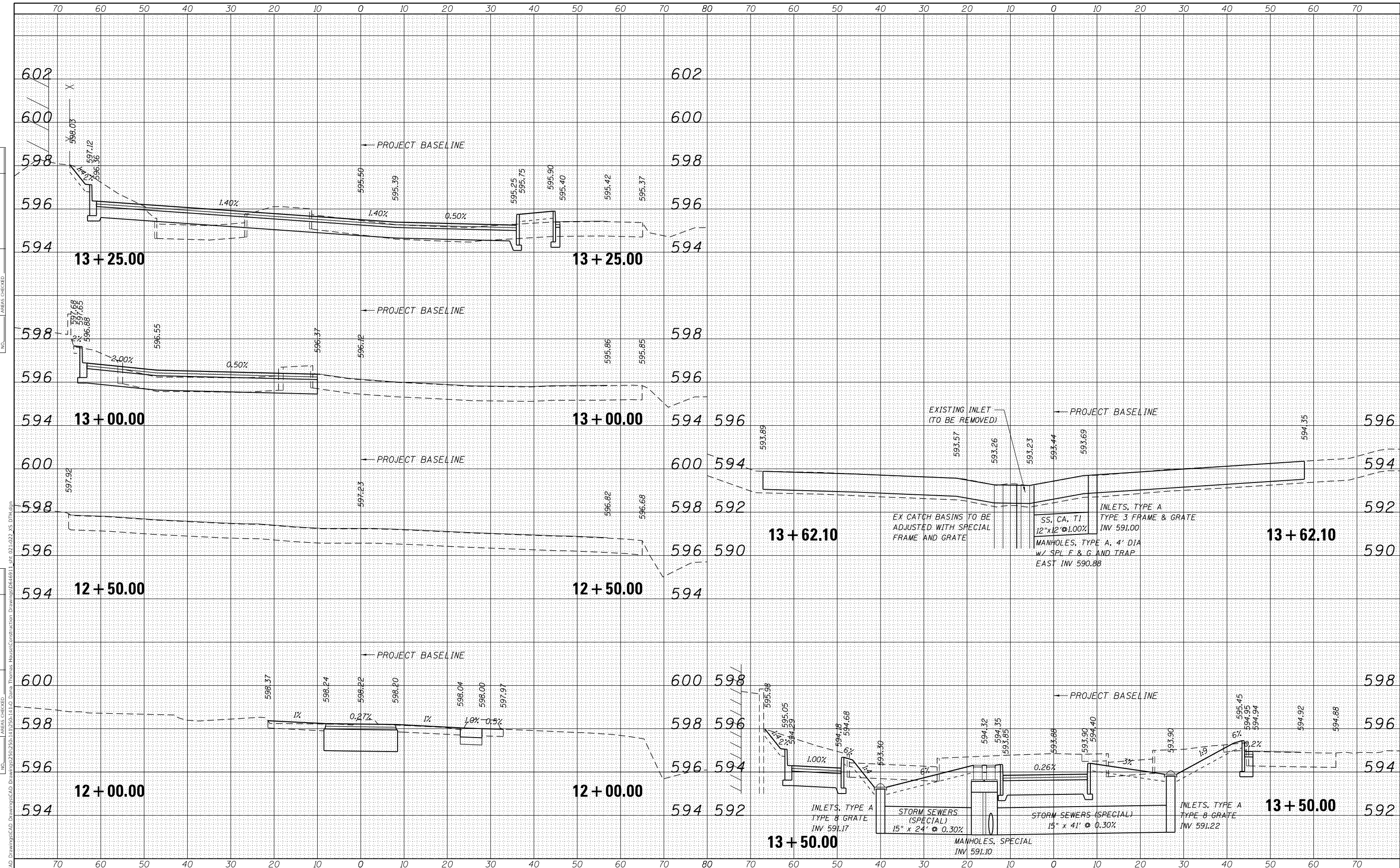
REVISED	-
REVISED	-
REVISED	-
REVISED	-

**STATE OF ILLINOIS
DEPARTMENT OF TRANSPORTATION**

**CROSS SECTIONS - DANA THOMAS HOUSE
DRIVEWAY AND PARKING LOT**

SCALE: SHEET OF SHEETS STA. 10+18.20 TO STA. 11+94.00

F.A. RTE.	SECTION	COUNTY	TOTAL SHEETS	SHEET NO.
	DANA THOMAS HOUSE 2018	SANGAMON	22	21
				CONTRACT No. 46911
ILLINOIS		FED. AID PROJECT		



DATE	
BY	
ORIGINAL SURVEY	SURVEYED
NOTE BOOK	PLOTTED
NO.	TEMPLATE
	AREAS CHECKED

DATE	
BY	
ORIGINAL SURVEY	SURVEYED
NOTE BOOK	PLOTTED
NO.	TEMPLATE
	AREAS CHECKED

MODEL: Default
 FILE NAME: S:\CAD Drawings\CAD Drawings\2023\141234-1414 Dana Thomas House\Construction Drawings\061911_sht_02-1022_X5_DTH.dgn

STATE OF ILLINOIS
 DEPARTMENT OF TRANSPORTATION

CROSS SECTIONS - DANA THOMAS HOUSE
 DRIVEWAY AND PARKING LOT

USER NAME = jbeque	DESIGNED - S.D.K.	REVISED -
	DRAWN - J.E.B.	REVISED -
PLOT SCALE = 20.0000' / in.	CHECKED - R.H.D.	REVISED -
PLOT DATE = 6/18/2021	DATE - 06/21/21	REVISED -

SCALE:	SHEET	OF	SHEETS	STA. 12+00.00	TO STA. 13+62.10
--------	-------	----	--------	---------------	------------------

F.A. RTE.	SECTION	COUNTY	TOTAL SHEETS	SHEET NO.
	DANA THOMAS HOUSE 2018	SANGAMON	22	22
	CONTRACT No. 46911			
	ILLINOIS FED. AID PROJECT			