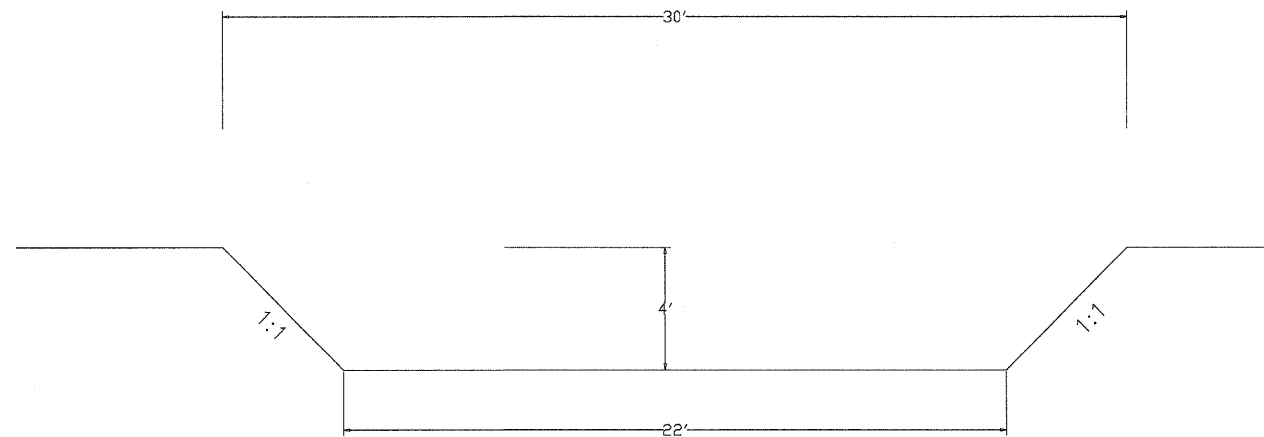
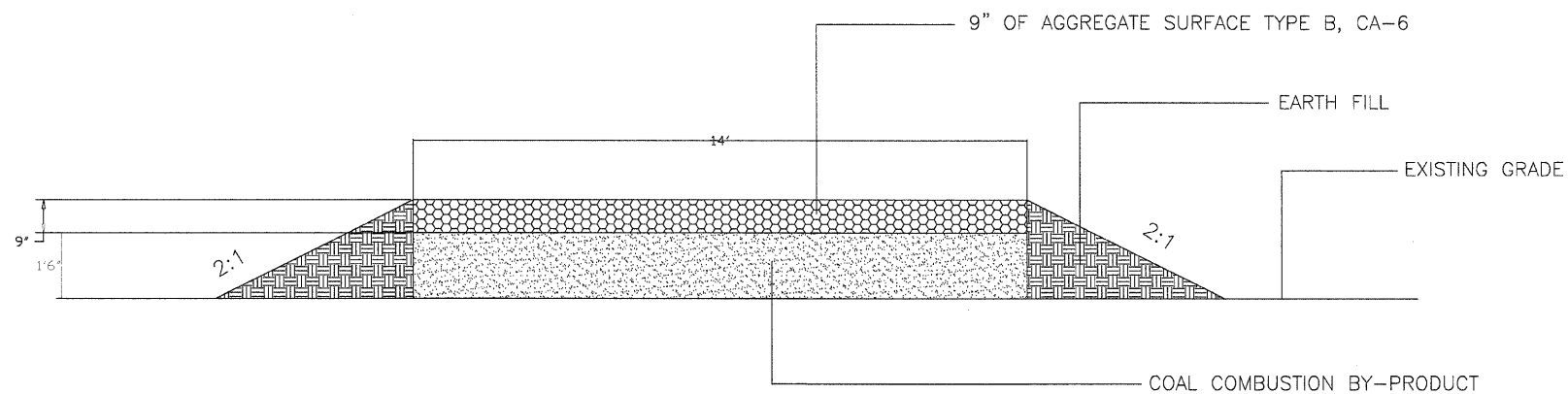


PLAN

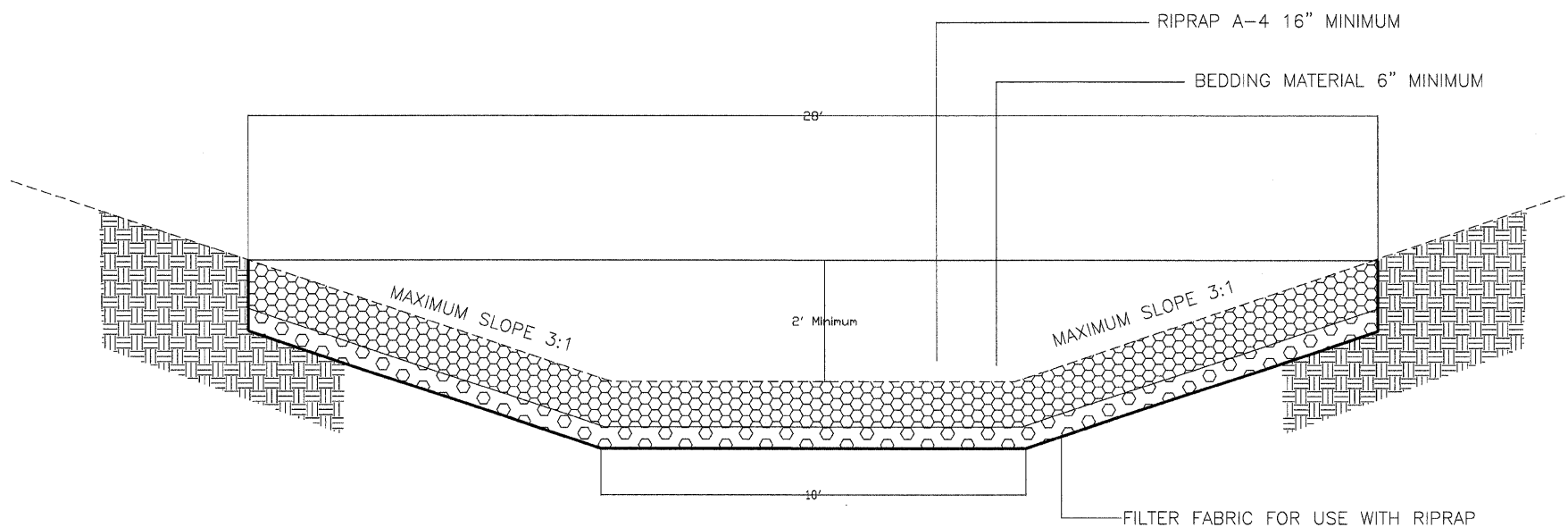
**A** TEMPORARY SEDIMENT BASIN  
44



CROSS SECTION



**B** NEW ACCESS ROAD CROSS SECTION  
44



**C** RIPRAP DITCH DETAIL  
44

SPACING LETTERS	
2.0"	3.5"
1.5"	3.5"
1.5"	3.5"
1.5"	3.5"
3.5"	3.0"
3.5"	2.5"
1.5"	2.5"
3.5"	2.0"
1.5"	2.0"
2.0"	2.0"

RECLAMATION PROJECT  
of the  
DEPARTMENT OF NATURAL RESOURCES  
STATE OF ILLINOIS  
PAT QUINN, GOVERNOR  
10" dia. Marc Miller, Director  
Department of Natural Resources  
In cooperation with the Office of Surface Mining  
United States Department of the Interior

1. Furnishing, erecting and removing the sign shall be incidental to the contract.
2. The sign shall be painted on 1/2" or thicker exterior plywood (4' x 8'), color shall be black on white, and a 10" diameter Illinois state seal shall be provided by the D.N.R.
3. The posts shall be made of 4" x 4" wood or 2.5" metal pipe, and shall be 10' long. The sign shall be securely fastened to the posts with six 2.5" long, round head wood screws (for wood posts) or four 5" long, 3/8" diameter carriage bolts (for wood or metal posts).
4. The top of the sign shall be level with the top of the posts, and the posts shall be 1' from the edges of the sign. The posts shall be set in the ground 3', so that the bottom of the sign is 3' from the ground.

**D** CONSTRUCTION SIGN DETAIL  
44