

LIST OF STANDARDS

280001-04	TEMPORARY EROSION CONTROL SYSTEM
424001-05	CURB RAMPS FOR SIDEWALKS
420701-02	PAVEMENT FABRIC
542301-02	PRECAST REINFORCED CONCRETE FLARED END SECTION
602301-02	INLET TYPE A
602306-02	INLET TYPE B
602401-02	MANHOLE TYPE A
602601-02	PRECAST REINFORCED CONCRETE FLAT SLAB TOP
604006-04	FRAME AND GRATE TYPE 3
606001-04	CONCRETE CURB TYPE B AND COMBINATION CONCRETE CURB AND GUTTER
701001-02	OFF-ROAD OPERATIONS, 2L, 2W, MORE THAN 15' AWAY
701006-03	OFF-ROAD OPERATIONS, 2L, 2W, 15' TO 24" FROM PAVEMENT EDGE
701011-02	OFF-ROAD, MOVING OPERATIONS, 2L, 2W, DAY ONLY
701301-03	LANE CLOSURE, 2L, 2W, SHORT TIME OPERATIONS
701311-03	LANE CLOSURE, 2L, 2W, MOVING OPERATIONS DAY ONLY
701501-05	URBAN LANE CLOSURE, 2L, 2W, UNDIVIDED
701901-01	TRAFFIC CONTROL DEVICES
780001-02	TYPICAL PAVEMENT MARKINGS

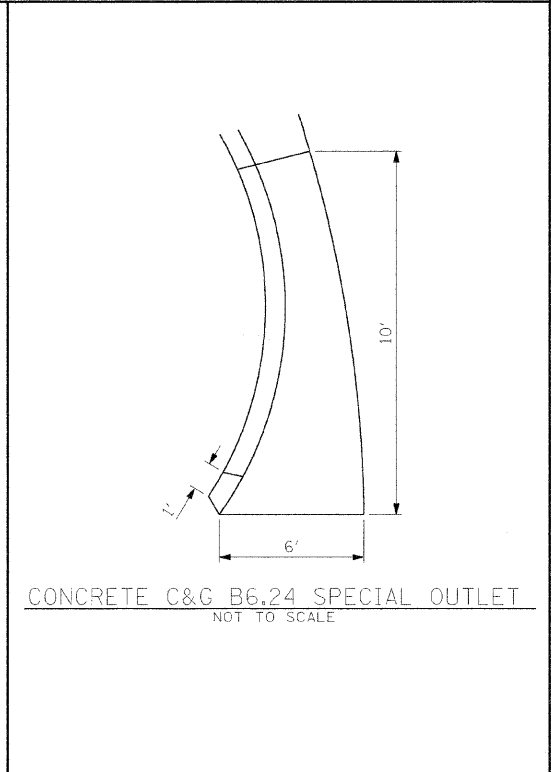
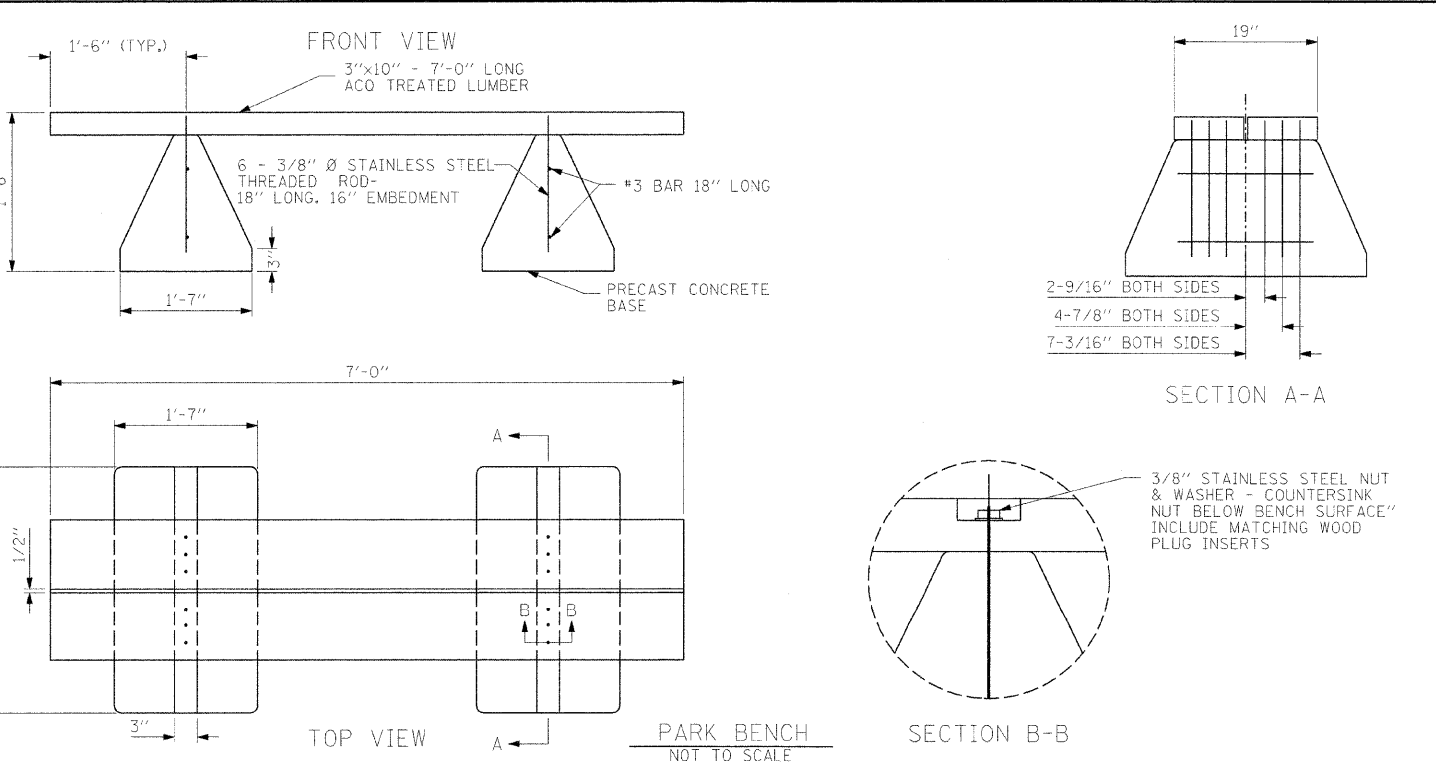
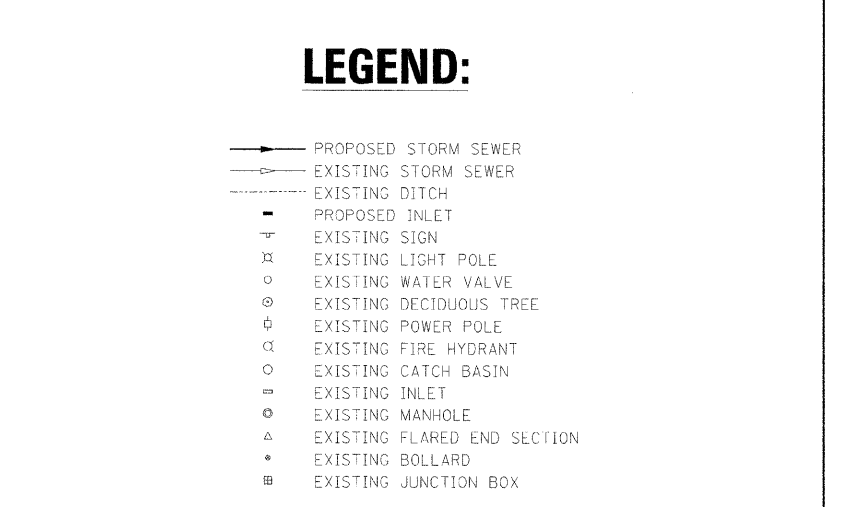
MIXES AND APPLICATION RATE TABLES

MIXTURES USE(S):	BITUMINOUS BINDER	BITUMINOUS SURFACE
AC/PG	PG 64-22	PG 64-22
RAP% (MAX)	15%	10%
DESIGN AIR VOIDS	4.0% @ N DESIGN 70	4.0% @ N DESIGN 70
MIX COMP	IL 19.0	IL 9.5
FRICITION AGG.	MIX B	MIX D

PRIME APPLICATION RATES	
BIT MATLS PR CT	AGG PRIME COAT
0.375 GAL/ SQ YD	5 LB/ SQ YD

INDEX OF SHEETS

SHEET NO.	SHEET TITLE
1	COVER SHEET
2	INDEX OF SHEETS, LIST OF STANDARDS, DETAILS, AND GENERAL NOTES
3	SUMMARY/SCHEDULE OF QUANTITIES
4	SCHEDULE OF QUANTITIES
5	TYPICAL SECTIONS
6	RAMEY AND COLLINS ST PLAN VIEW AND PALASADE AGGREGATE PATH
7	MONKS MOUND & WALL SIDEWALK
8	PALASADE AGGREGATE PATH
9	TWIN MOUNDS SIDEWALK
10	SIDEWALK PROFILES
11	HANDICAP PARKING SPACE AND CONCRETE SLAB DETAILS
12	FLAGPOLE DETAILS



- ### GENERAL NOTES
- ALL ELEVATIONS ARE REFERENCED TO ELEVATIONS ESTABLISHED BY VASCONCELLES ENGINEERING CORP.
 - WHERE SECTION OR SUBSECTION MONUMENTS ARE ENCOUNTERED, THE ENGINEER SHALL BE NOTIFIED BEFORE SUCH MONUMENTS ARE REMOVED. THE CONTRACTOR SHALL PROTECT AND CAREFULLY PRESERVE ALL PROPERTY MARKERS AND MONUMENTS UNTIL THE OWNER AND AUTHORIZED SURVEYOR OR AGENT HAS WITNESSED OR OTHERWISE REFERENCED THEIR LOCATION. IF THE ENGINEER DECIDES TO HAVE THE CONTRACTOR RESET THE MONUMENT, THIS WORK WILL BE PAID FOR IN ACCORDANCE WITH ARTICLE 109.04.
 - THE CONTRACTOR SHALL CONTACT J.U.L.I.E. PRIOR TO ANY EXCAVATION TO HAVE ALL PUBLIC AND PRIVATE UTILITIES LOCATED.
 - THE CONTRACTOR SHALL BE RESPONSIBLE FOR PROTECTING UTILITY PROPERTY FROM CONSTRUCTION OPERATIONS AS OUTLINED IN ARTICLE 107.26 OF THE STANDARD SPECIFICATIONS. THE J.U.L.I.E. NUMBER IS (800) 892-0123. A MINIMUM OF 48 HOURS ADVANCE NOTICE IS REQUIRED. SEE SPECIAL PROVISIONS FOR STATUS OF UTILITIES, WITH UTILITY COMPANIES LISTED.
 - ANY REFERENCE TO THE STANDARDS THROUGHOUT THE PLANS SHALL BE INTERPRETED TO BE THE LATEST STANDARDS OF THE DEPARTMENT AS INCLUDED IN THE PLANS.
 - ALL DETAILS IN THE PLANS SHALL GOVERN CONSTRUCTION OF THIS PROJECT, AND IN CASE OF CONFLICT WITH ANY STANDARD DRAWINGS INCLUDED, THE SAID DETAILS SHALL TAKE PRECEDENCE AND GOVERN.

FILE NAME = #FILE#	USER NAME = #USER#	DESIGNED - T.T.P.	REVISED -	STATE OF ILLINOIS DEPARTMENT OF TRANSPORTATION	INDEX OF SHEETS CAHOKIA MOUNDS STATE HISTORIC SITE			F.A. RTE.	SECTION	COUNTY	TOTAL SHEETS	SHEET NO.
		DRAWN - S.D.K.	REVISED -		SCALE:	SHEET NO. 2 OF 12 SHEETS	STA.	TO STA.	ST. CLAIR	12	2	
		CHECKED - T.T.P.	REVISED -		CONTRACT NO. 46060							
		DATE - 5/8/09	REVISED -		FED. ROAD DIST. NO. [ILLINOIS] FED. AID PROJECT							