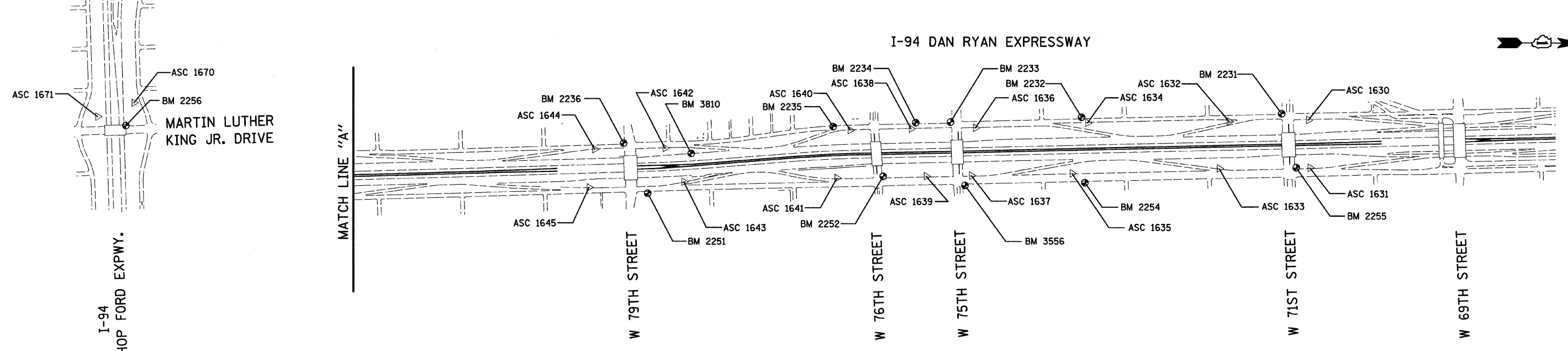
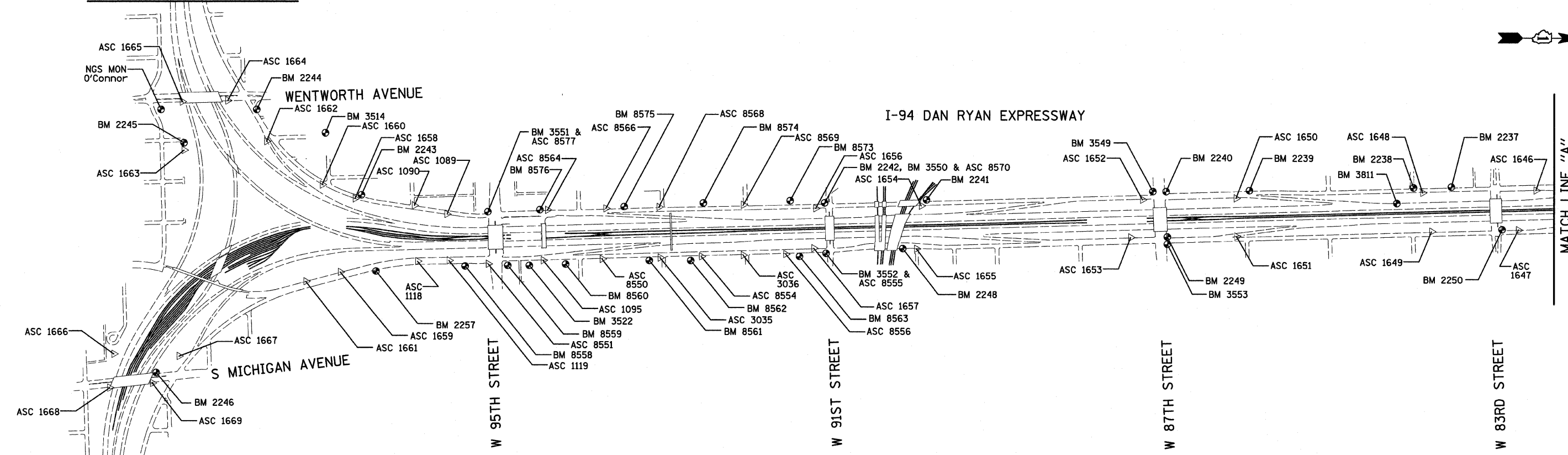


F.A.I. RTE.	SECTION	COUNTY	TOTAL SHEETS	SHEET NO.
94	2005-036 I	COOK	45	9
STA. 135+99.6 (SB I-57) TO STA. 136+78.8 (SB RYAN)		TO STA. 236+4+99.1 (NB RYAN)		
FED. ROAD DIST. NO.		ILLINOIS	FED. AID PROJECT	

60A07

I-57  
EXPWY  
SEE SHEET 2 OF 7  
MATCH LINE "B"



American Surveying Consultants, P.C.  
SURVEYORS-ENGINEERS-GEODETISTS-MAPIERS-SCIENTISTS  
1637 Piquette Avenue, Detroit, MI 48211 6030 N. Northpark Road, Chicago, IL 60631  
313-963-2211 773-221-1200

REVISIONS	
NAME	DATE

ILLINOIS DEPARTMENT OF TRANSPORTATION  
F.A.I. 94 (DAN RYAN EXPRESSWAY)  
SURVEY TIES FOR CONTROL POINTS  
SHEET 1 OF 7  
SCALE: 1"=400'  
DATE: FEBRUARY 13, 2009  
DRAWN BY: GSP  
CHECKED BY: MMW

3/19/2009 11:45:30 AM