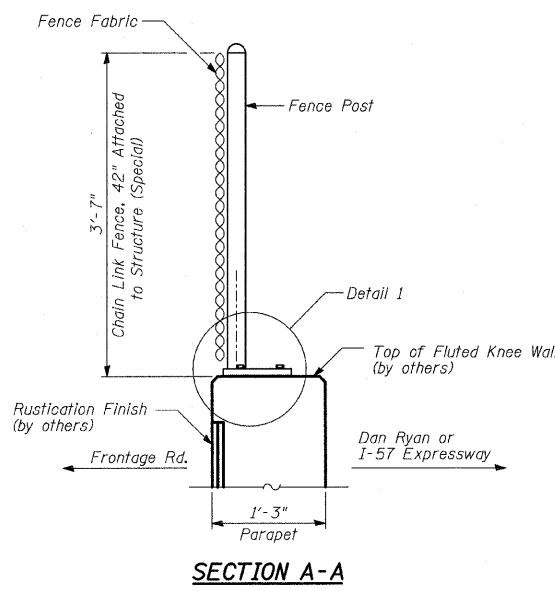
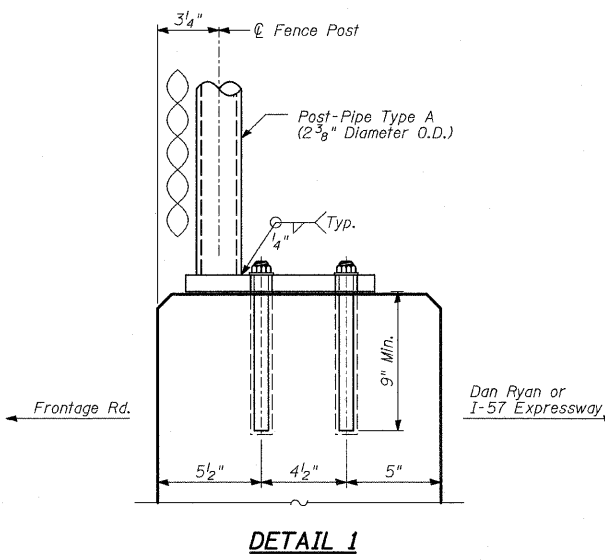


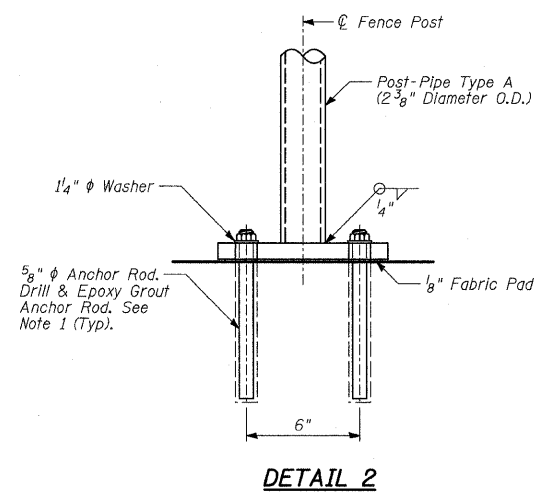
**BACK FACE ELEVATION - TOP OF RETAINING WALLS
FLUTED PARAPET AND CHAIN LINK FENCE**



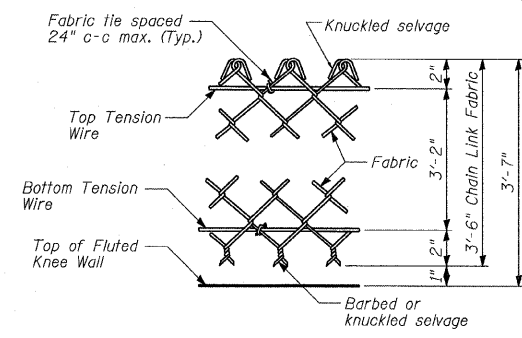
SECTION A-A



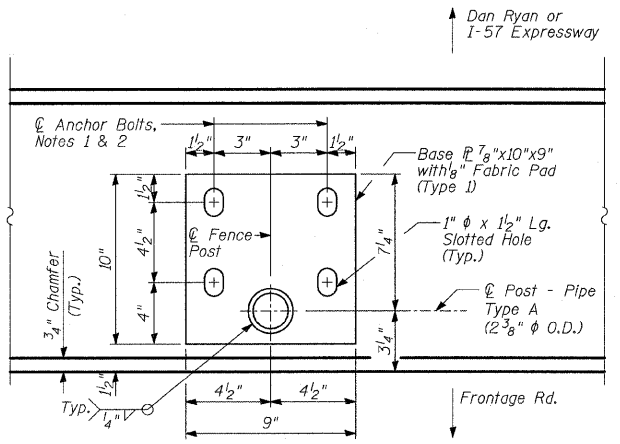
DETAIL 1



DETAIL 2



DETAIL 3



**SECTION B-B
BASE PLATE PLAN**

BILL OF MATERIAL

LOCATION	ITEM	UNIT	TOTAL
25F	Chain Link Fence, 42" Attached to Structure (Special)	FOOT	2,087
26A	Chain Link Fence, 42" Attached to Structure (Special)	FOOT	1,662
26F	Chain Link Fence, 42" Attached to Structure (Special)	FOOT	1,817
	Total	FOOT	5,566

NOTES:

- The Contractor shall drill and epoxy grout 5/8" diameter anchor rods. The Contractor shall use the capsule or the adhesive cartridge type anchor rods that have been previously tested and given prior approval by the Department for the above specified anchor rod spacing. The Contractor shall install these anchor rods in pre-drilled holes according to the manufacturer's recommendations and procedures. The capsule or adhesive cartridge shall be sealed with pre-measured amounts of adhesive chemical. Anchor rod threading to be peened after nuts are installed.
- For additional chain link fence details, see Standard 664001.

REVISIONS		ILLINOIS DEPARTMENT OF TRANSPORTATION F.A.I. 94 (DAN RYAN EXPRESSWAY) CHAIN LINK FENCE, 42" ATTACHED TO STRUCTURE (SPECIAL) DETAILS
NAME	DATE	
		S.N. DESIGNED BY: MAF SCALE: N.T.S. DRAWN BY: MAF DATE: FEBRUARY 13, 2009 CHECKED BY: MI