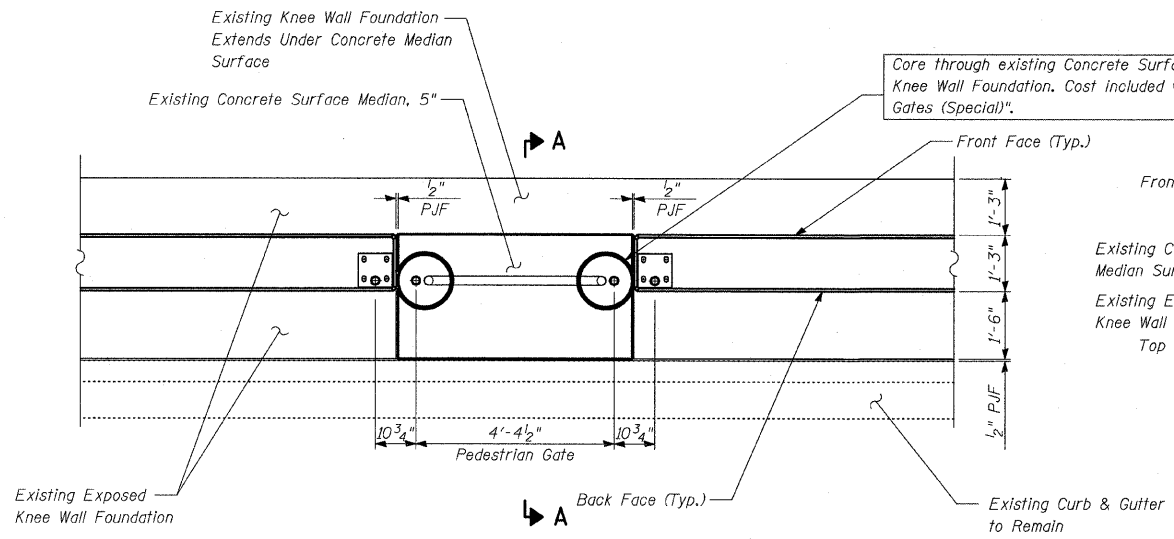
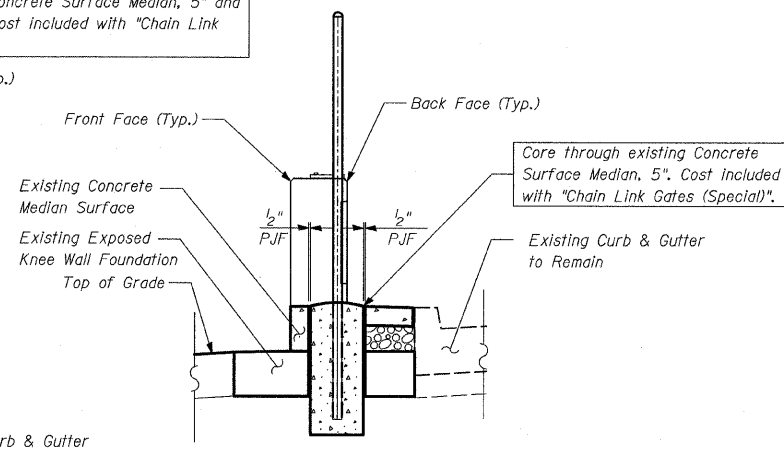


F.A.I. RTE.	SECTION	COUNTY	TOTAL SHEETS	SHEET NO.
94	2005-036 I	COOK	45	37
STA. 135+99.6 (SB I-57) TO STA. 1364+78.8 (SB RYAN)		TO STA. 2364+99.1 (NB RYAN)		
FED. ROAD DIST. NO.		ILLINOIS	FED. AID PROJECT	

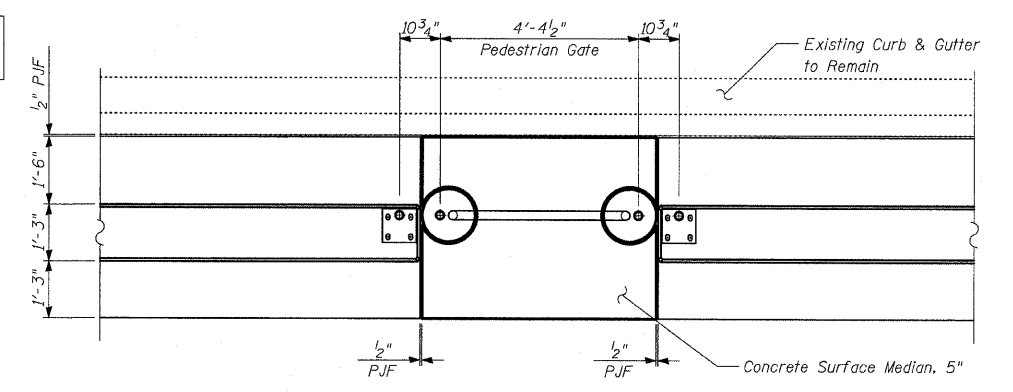
60A07



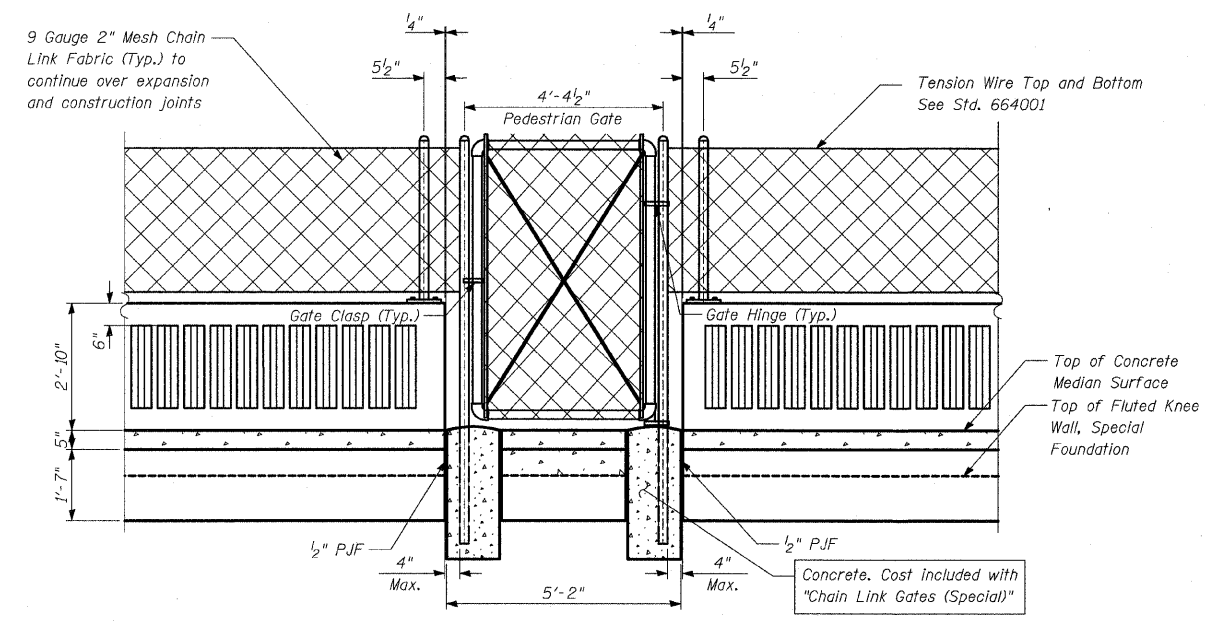
PLAN - CHAIN LINK GATE (SPECIAL) AT FLUTED KNEE WALL, SPECIAL
(Contract 25F - Sta. 2344+98.7)



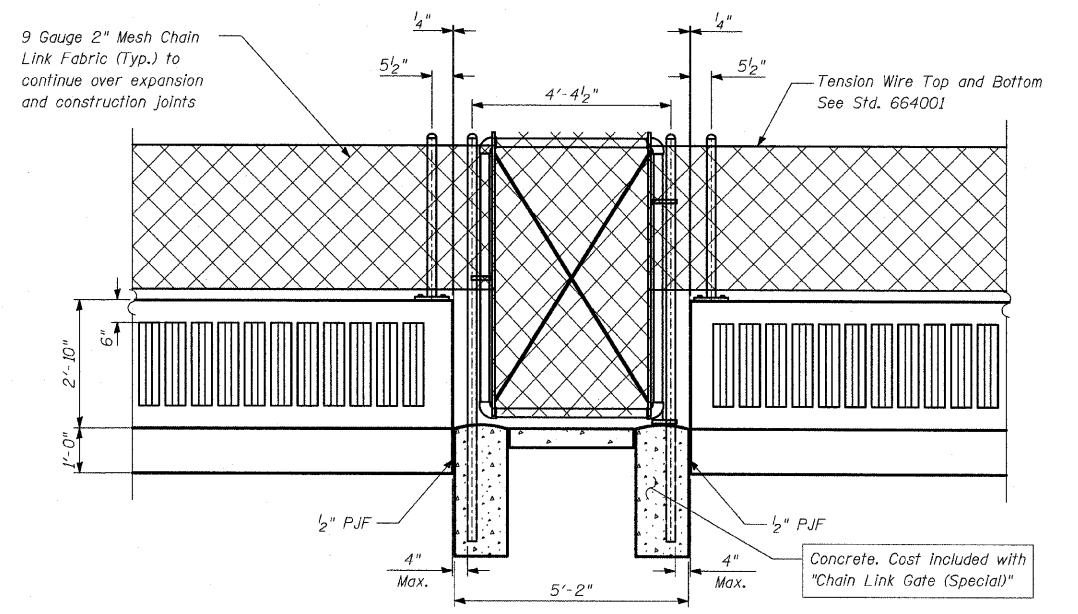
CROSS SECTION A-A - CHAIN LINK GATE (SPECIAL) AT FLUTED KNEE WALL, SPECIAL
(Contract 25F - Sta. 2344+98.7)



PLAN - CHAIN LINK GATE (SPECIAL) AT FLUTED KNEE WALL
(25F Location - Sta. 2347+98.7)
(26A Location - Sta. 139+92.3)
(26A Location - Sta. 145+14.5)
(26F Location - Sta. 1360+45.9)



BACK FACE ELEVATION - TYPICAL CHAIN LINK GATE (SPECIAL) AT FLUTED KNEE WALL, SPECIAL
(Contract 25F - Sta. 2344+98.7)



BACK FACE ELEVATION - TYPICAL CHAIN LINK GATE (SPECIAL) AT FLUTED KNEE WALL
(25F Location - Sta. 2347+98.7)
(26A Location - Sta. 139+92.3)
(26A Location - Sta. 145+14.5)
(26F Location - Sta. 1360+45.9)

TYLIN INTERNATIONAL

REVISIONS	
NAME	DATE

ILLINOIS DEPARTMENT OF TRANSPORTATION
F.A.I. 94 (DAN RYAN EXPRESSWAY)
CHAIN LINK GATE (SPECIAL) DETAILS
SHEET 2 OF 2

S.N. DESIGNED BY: MAF
SCALE: N.T.S. DRAWN BY: MAF
DATE: FEBRUARY 13, 2009 CHECKED BY: MI

P:\02373V\road\3591w\3591r\02373a.dwg 3/19/2009 11:46:15 AM