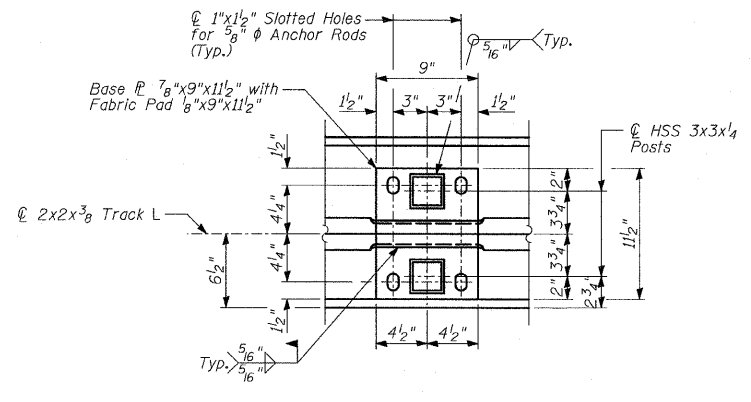
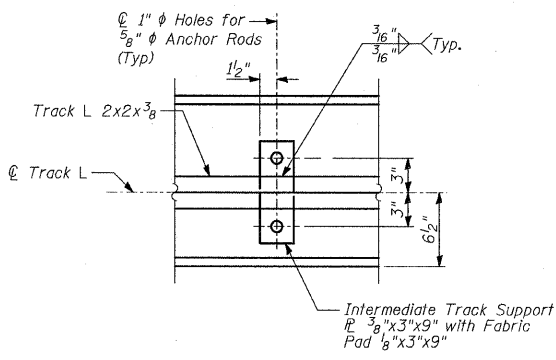


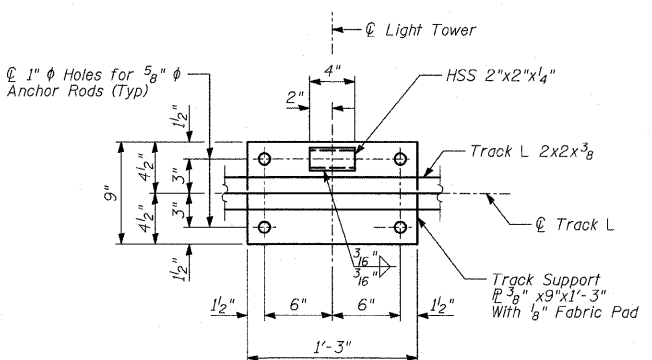
**PLAN - GATE IN OPEN POSITION**



**DETAIL 1 - BASE P PLAN**



**DETAIL 2**



**DETAIL 3**

**BILL OF MATERIAL**

| LOCATION | ITEM                               | UNIT | TOTAL |
|----------|------------------------------------|------|-------|
| 25F      | Chain Link Gate Assembly (Special) | EACH | .1    |
| 26A      | Chain Link Gate Assembly (Special) | EACH | 2     |
|          | TOTAL                              | EACH | 3     |

**NOTES:**

- All rods shall be stainless steel conforming to ASTM F593-98 and F594-98.
- All pipes and bars shall be hot dipped galvanized after fabrication.
- For Back Face Elevations, see Sheet 39 of 45.
- For Anchor Rod Details, see Sheet 40 of 45.

| REVISIONS |      |
|-----------|------|
| NAME      | DATE |
|           |      |
|           |      |
|           |      |
|           |      |
|           |      |
|           |      |

ILLINOIS DEPARTMENT OF TRANSPORTATION  
**F.A.I. 94 (DAN RYAN EXPRESSWAY)**  
**CHAIN LINK GATE ASSEMBLY (SPECIAL),**  
**GATE PLAN AND NOTES**

S.N. DESIGNED BY: MAF  
SCALE: N.T.S. DRAWN BY: MAF  
DATE: FEBRUARY 13, 2009 CHECKED BY: MT

3/19/2009 11:46:15 AM P:\02373\road\c39\ms39d\st01.dwg