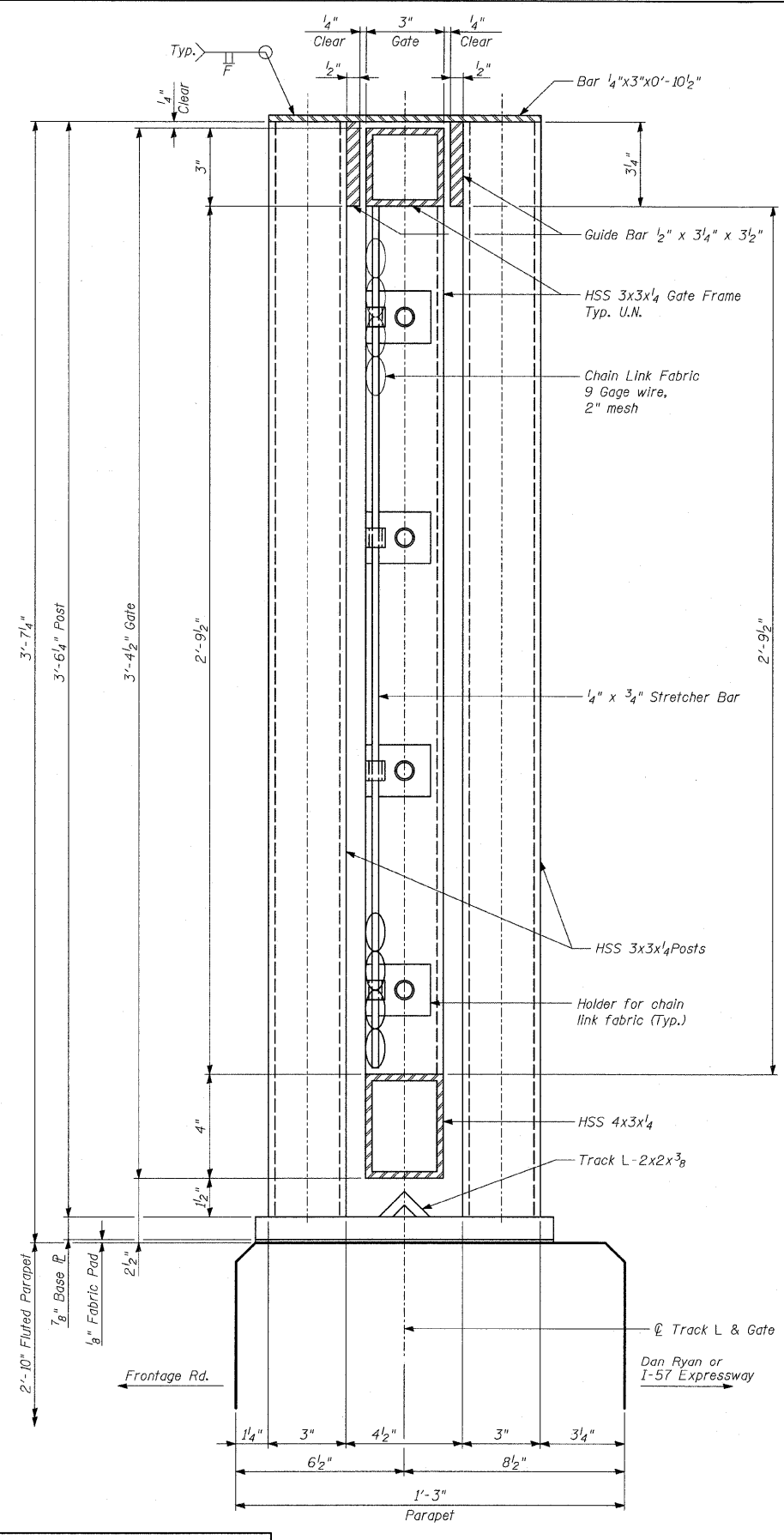
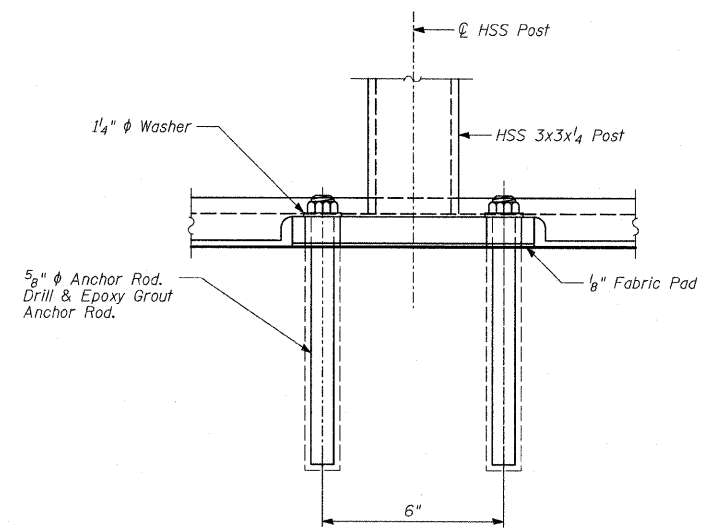


F.A.I. RTE.	SECTION	COUNTY	TOTAL SHEETS	SHEET NO.
94	2005-036 I	COOK	45	40
135+99.6 (SB I-57)		136+478.8 (SB RYAN)		
STA. 2031+23.0 (NB FORD)		TO STA. 2364+99.1 (NB RYAN)		
FED. ROAD DIST. NO.	ILLINOIS	FED. AID PROJECT		

60A07

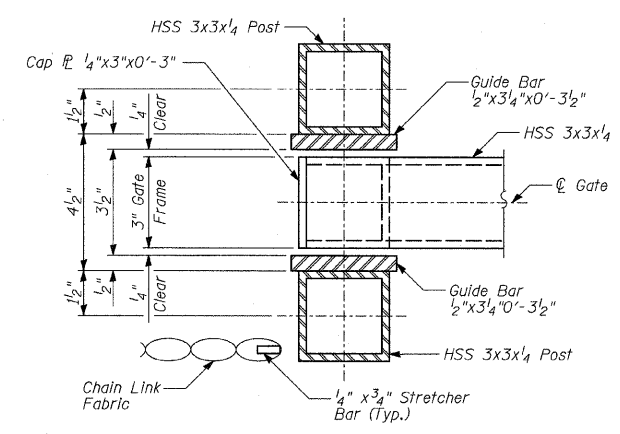
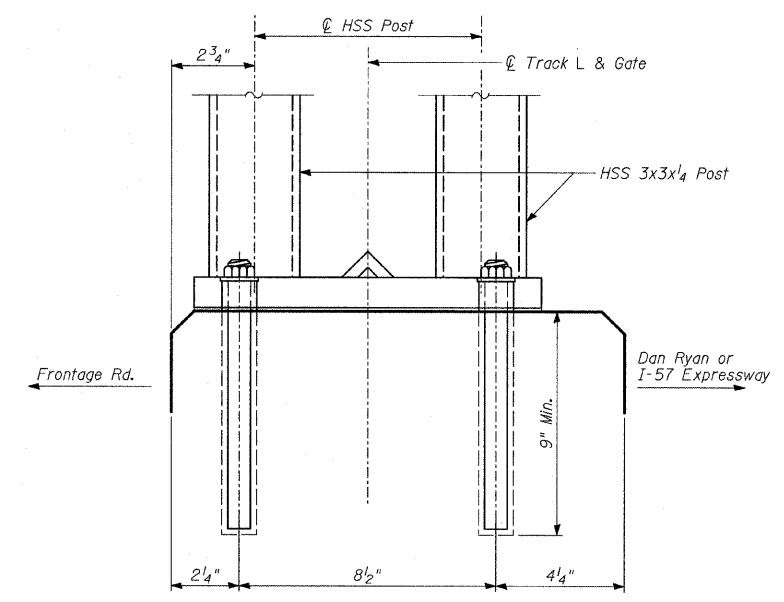


SECTION A-A

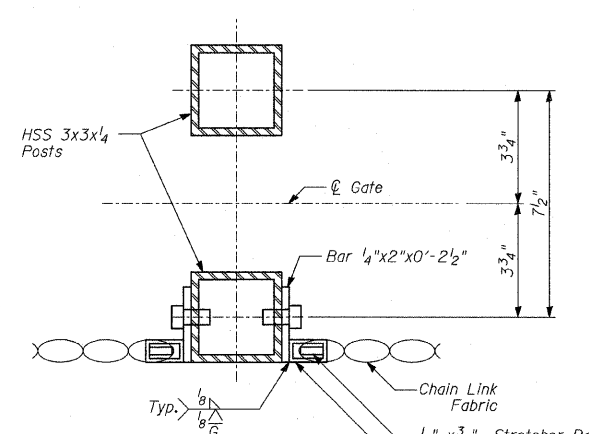


**ANCHOR ROD DETAILS**

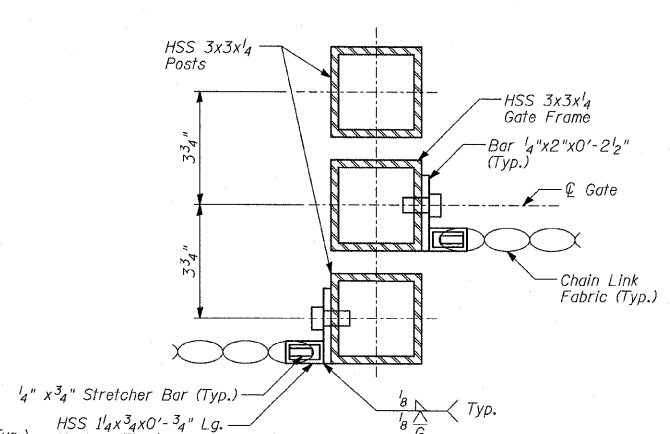
The Contractor shall drill and epoxy grout 5/8" diameter anchor rods. The Contractor shall use the capsule or the adhesive cartridge type anchor rods that have been previously tested and given prior approval by the Department for the above specified anchor rod spacing. The Contractor shall install these anchor rods in pre-drilled holes according to the manufacturer's recommendations and procedures. The capsule or adhesive cartridge shall be sealed with pre-measured amounts of adhesive chemical. Anchor rod threading to be peened after nuts are installed. See details 2 & 3 on sheet 38 of 45 for anchor rod spacing.



SECTION B-B



SECTION D-D



SECTION E-E

- NOTES:**
- For Notes See Sheet 38 of 45.
  - For Anchor Rod locations, see Details 1, 2 & 3 on Sheet 38 of 45.

REVISIONS	
NAME	DATE

ILLINOIS DEPARTMENT OF TRANSPORTATION  
**F.A.I. 94 (DAN RYAN EXPRESSWAY)**  
**CHAIN LINK GATE ASSEMBLY (SPECIAL),**  
**GATE SECTIONS**

S.N. DESIGNED BY: MAF  
SCALE: N.T.S. DRAWN BY: MAF  
DATE: FEBRUARY 13, 2009 CHECKED BY: MI

**TYLIN INTERNATIONAL**

3/19/2009 11:46:16 AM