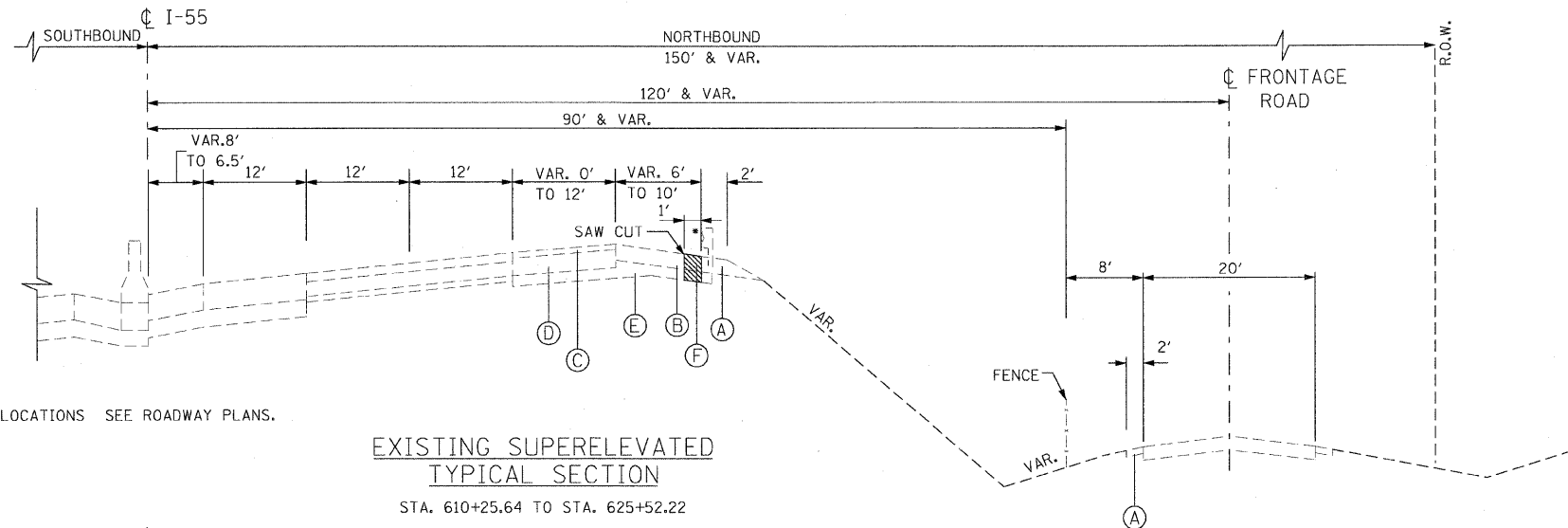


F.A.I. RTE.	SECTION	COUNTY	TOTAL SHEETS	SHEET NO.
55	99 (1&2) I-12	WILL	147	7
STA.		TO STA.		
FED. ROAD DIST. NO.	ILLINOIS	FED. AID PROJECT		
TYP 01 OF 06				

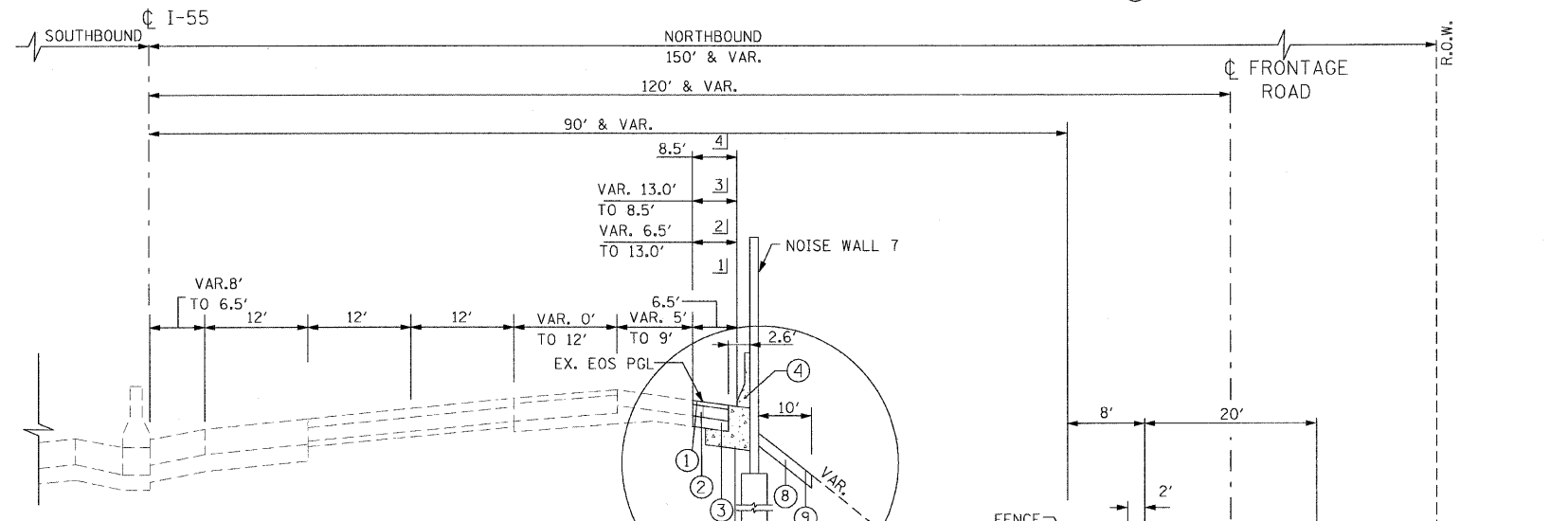
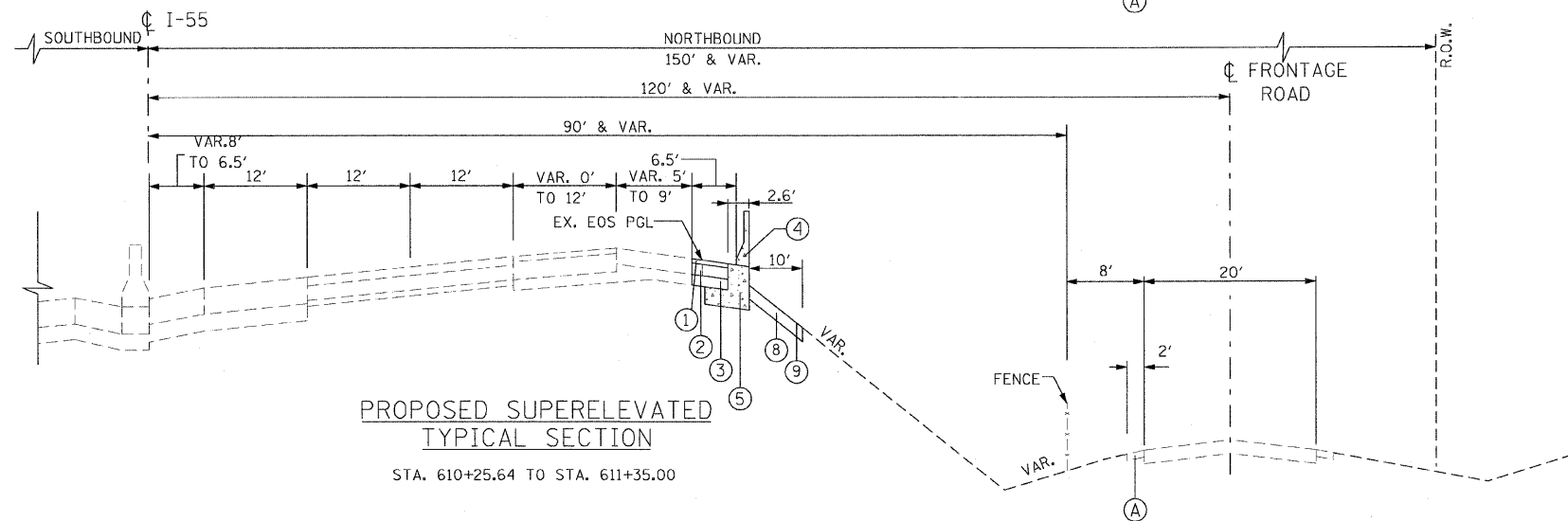
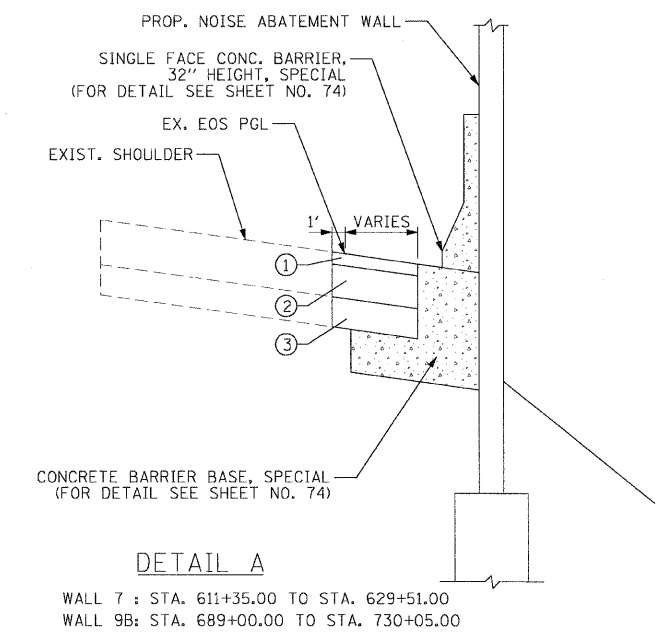


EXISTING

- (A) AGGREGATE SHOULDER
- (B) BITUMINOUS CONCRETE SHOULDER
- (C) POLYMERIZED BITUMINOUS CONCRETE PAVEMENT
- (D) P.C.C. BASE COURSE
- (E) SUB-BASE GRANULAR MATERIAL
- (F) BITUMINOUS SHOULDER REMOVAL

PROPOSED

- (1) HOT-MIX ASPHALT SURFACE COURSE, MIX "D", N70, 2"
- (2) HOT-MIX ASPHALT BINDER COURSE, 1L-19, N70, 6"
- (3) SUB-BASE GRANULAR MATERIAL, TYPE B, 6"
- (4) CONCRETE BARRIER, SINGLE FACE, 32" HEIGHT, SPECIAL
- (5) CONCRETE BARRIER BASE, SPECIAL
- (6) NOISE WALL DRILLED SHAFT
- (7) PROPOSED GUARDRAIL, TYPE B
- (8) TOPSOIL 6"
- (9) SEEDING, CLASS 4
- (10) SEEDING, CLASS 2A



- 1] STA. 611+35.00 TO STA. 620+50.00
- 2] STA. 620+50.00 TO STA. 622+82.33
- 3] STA. 622+82.33 TO STA. 624+88.03
- 4] STA. 624+88.03 TO STA. 625+52.22

PROPOSED SUPERELEVATED TYPICAL SECTION

STA. 611+35.00 TO STA. 625+52.22

REVISIONS	
NAME	DATE

ILLINOIS DEPARTMENT OF TRANSPORTATION
FAI ROUTE 55
US 30 (PLAINFIELD ROAD) TO WEBER ROAD
TYPICAL SECTIONS

SCALE: NTS
DATE: 6-12-09
DRAWN BY: MMS
CHECKED BY: DM



FINAL

* FOR GUARDRAIL LOCATIONS SEE ROADWAY PLANS.