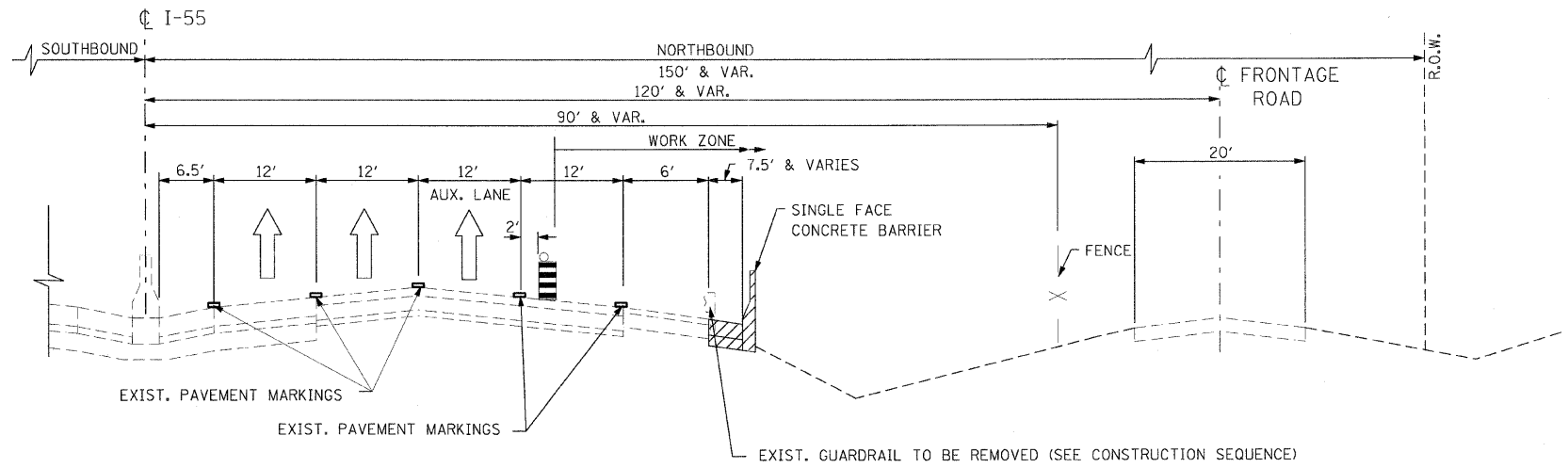


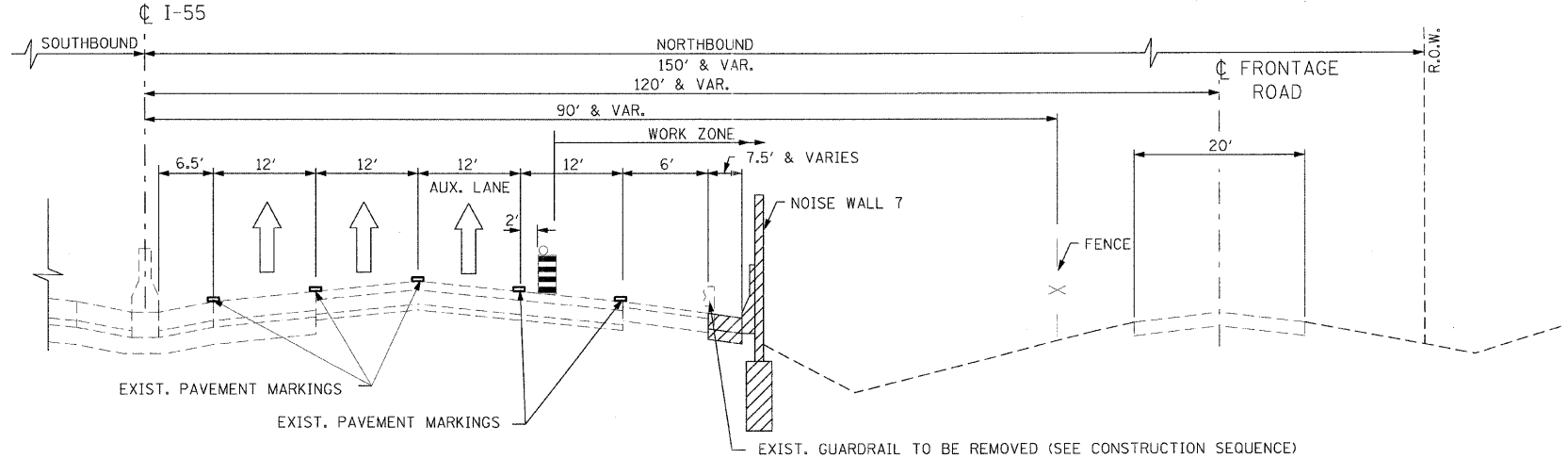
F.A.P. RTE.	SECTION	COUNTY	TOTAL SHEETS	SHEET NO.
55	99 (1&2) 1-12	WILL	147	39
STA.	TO STA.			
FED. ROAD DIST. NO.	ILLINOIS FED. AID PROJECT			
	MOT-TYP-02 OF 03			



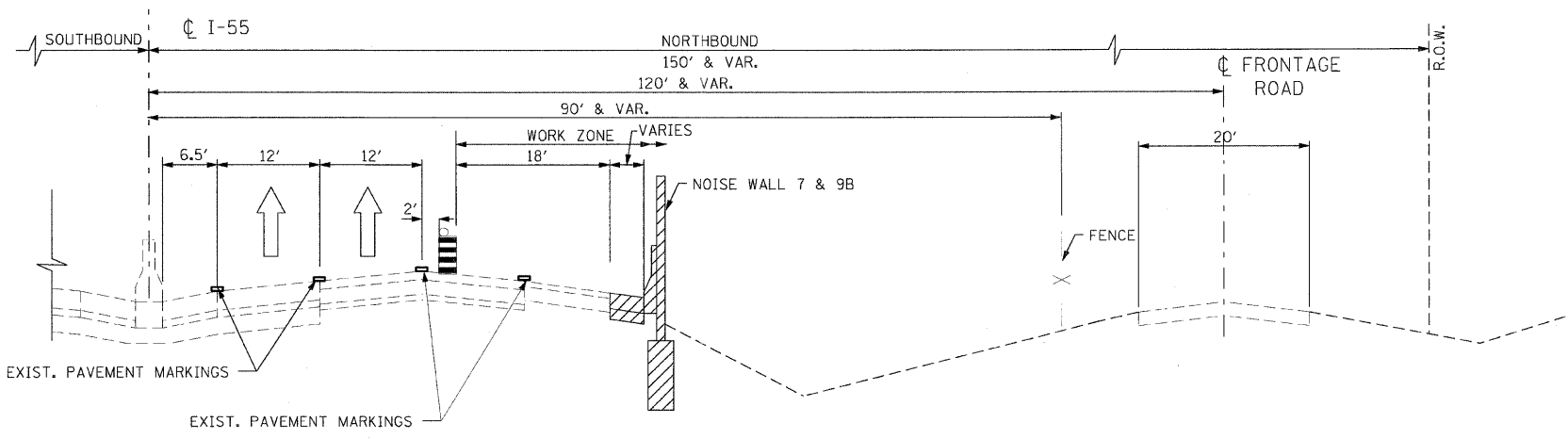
LEGEND

- WORK ZONE
- TRAFFIC FLOW ARROW
- DRUMS W/ STEADY BURN LIGHTS

I-55 CONSTRUCTION TYPICAL SECTION
 STAGE I (LANE CLOSURE)
 STA. 610+25.64 TO STA. 611+35.00



I-55 CONSTRUCTION TYPICAL SECTION
 STAGE I (LANE CLOSURE) NOISE WALL 7
 STA. 611+35.00 TO STA. 625+52.22 (7)



I-55 CONSTRUCTION TYPICAL SECTION
 STAGE I (LANE CLOSURE) NOISE WALL 7 & 9B
 STA. 625+52.22 TO STA. 629+51.00 (7) & STA. 689+00.00 TO STA. 730+05.00 (9B)

REVISIONS	
NAME	DATE

ILLINOIS DEPARTMENT OF TRANSPORTATION
 FAI ROUTE 55
 US 30 (PLAINFIELD ROAD) TO WEBER ROAD
 SUGGESTED STAGES OF
 CONSTRUCTION AND TRAFFIC CONTROL
 GENERAL NOTES AND DETAILS

SCALE: NONE
 DATE: 6-12-09
 DRAWN BY: MMS
 CHECKED BY: DM

