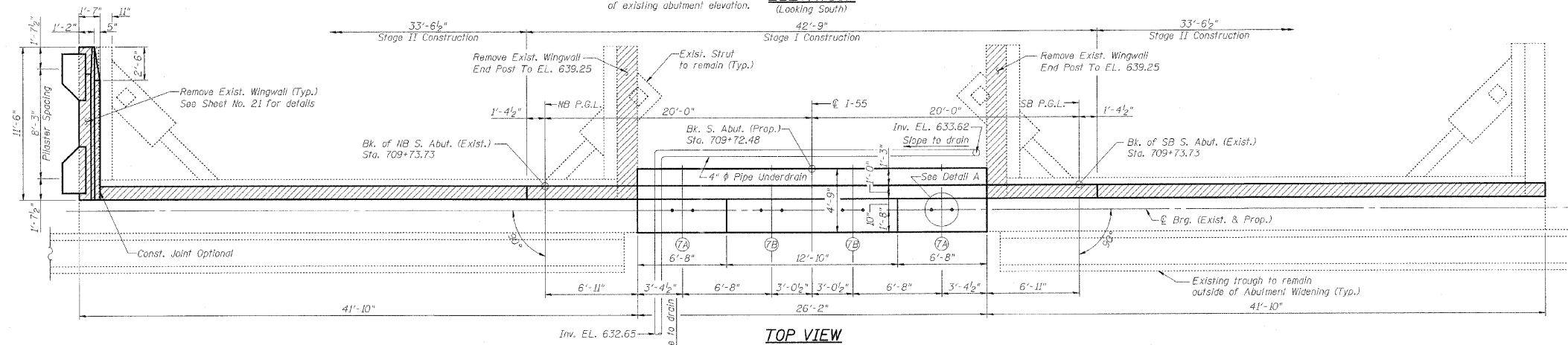
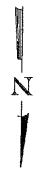
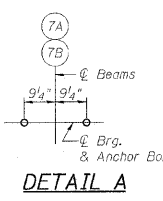
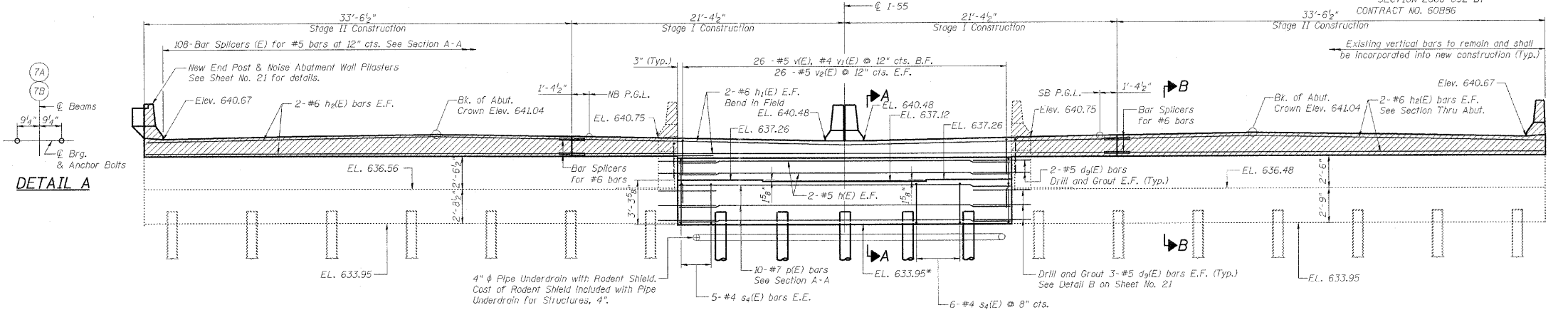


STATE OF ILLINOIS  
DEPARTMENT OF TRANSPORTATION

STATE OF ILLINOIS  
DEPARTMENT OF TRANSPORTATION

ROUTE NO.	SECTION	COUNTY	TOTAL SHEETS	SHEET NO.
FAI-55	##	WILL	505	360
FED. ROAD DIST. NO. 7	ILLINOIS	FED. AID PROJECT		

\*\* SECTION 2006-032 BY  
CONTRACT NO. 60B04



**LEGEND:**

- Existing Pile
- New Vertical Pile
- New Battered Pile
- Concrete Removal
- E.F. Each Face
- E.E. Each End
- B.F. Back Face

DESIGNED	P. PILARSKI
CHECKED	M. SHAIKH
DRAWN	P. PILARSKI
CHECKED	M. SHAIKH

Date: 6/30/2006

**PILE DATA**

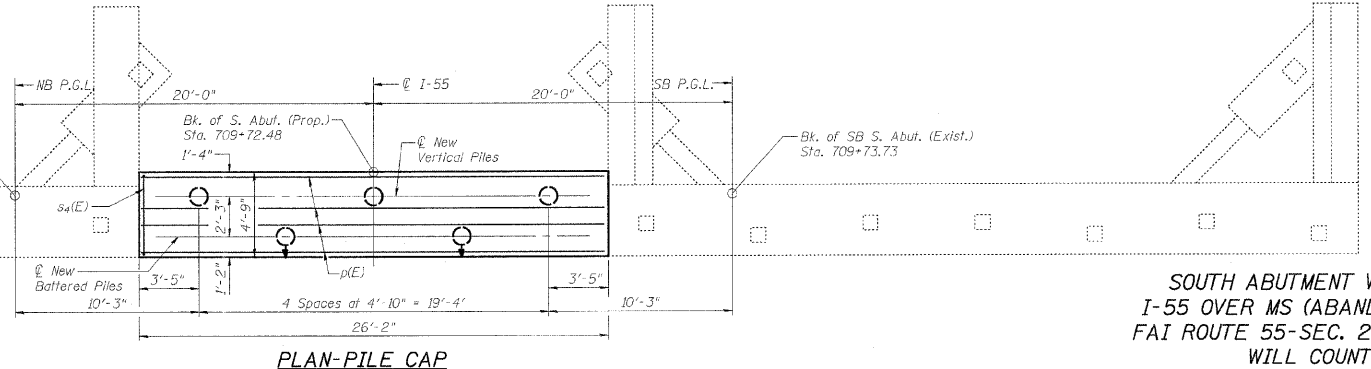
Type: 12"  $\phi$  Metal Shell Concrete Piles with 1/4" Thick Walls

Capacity: 55 Tons

Est. Length: 36'

No. Required: 4+1 Test Pile

- Notes:**
- See Sheet No. 21 for Sections A-A & B-B.
  - All elevations given at back of abutment unless otherwise noted.
  - For Details of bar splice, See Sheet No. 26.



**SOUTH ABUTMENT WIDENING  
I-55 OVER MS (ABANDONED) R.R.  
FAI ROUTE 55-SEC. 2006-032 BY  
WILL COUNTY  
STA. 710+34.86  
STRUCTURE NO. 099-0022 (NB)  
STRUCTURE NO. 099-0023 (SB)**



DESIGNED	P. LOPEZ
CHECKED	J. GRAINAWI
DRAWN	D. C. PATEL
CHECKED	J. GRAINAWI

**FOR INFORMATION ONLY**



SHEET NO. 5	F.A.I. RTE.	SECTION	COUNTY	TOTAL SHEETS	SHEET NO.
	55	99 (1&2) I-12	WILL	147	92b
14 SHEETS	CONTRACT NO. 60B04			FED. ROAD DIST. NO. 7 ILLINOIS FED. AID PROJECT	

**NB BRIDGE BARRIER DETAILS  
STRUCTURE NO. 099-W025**

T:\16817A\StructCadd\Pre-Final\Noise wall\Wall 9b\088W025-60B04-005.dgn 05-FEB-2009 19:03

6/20/2006 4:20:35 PM C:\16817A\StructCadd\Pre-Final\MS RRF\Noise Bridge\Contract\02206-60B04-000-010.dgn