

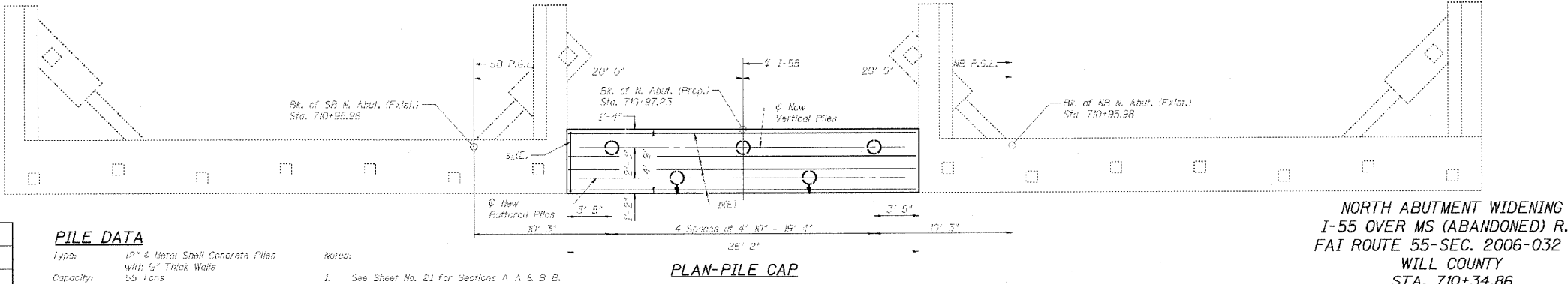
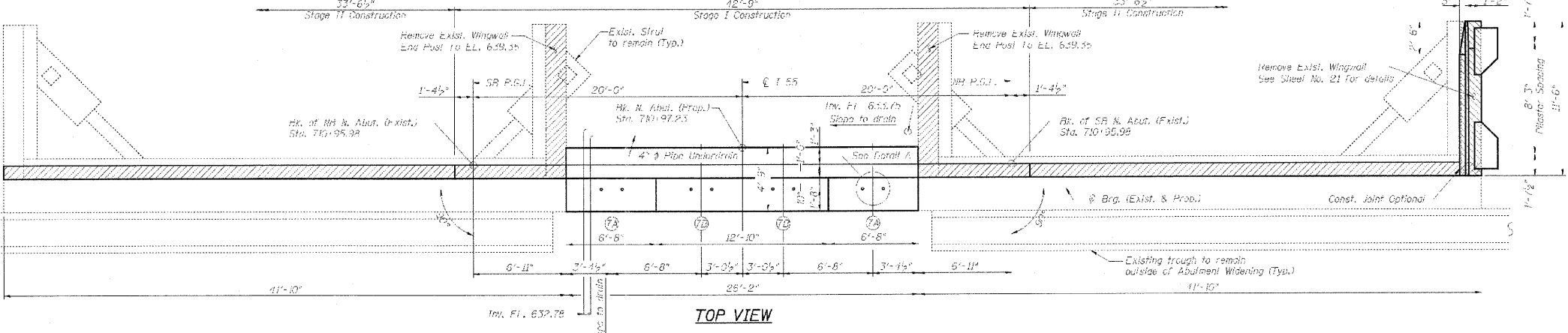
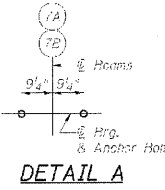
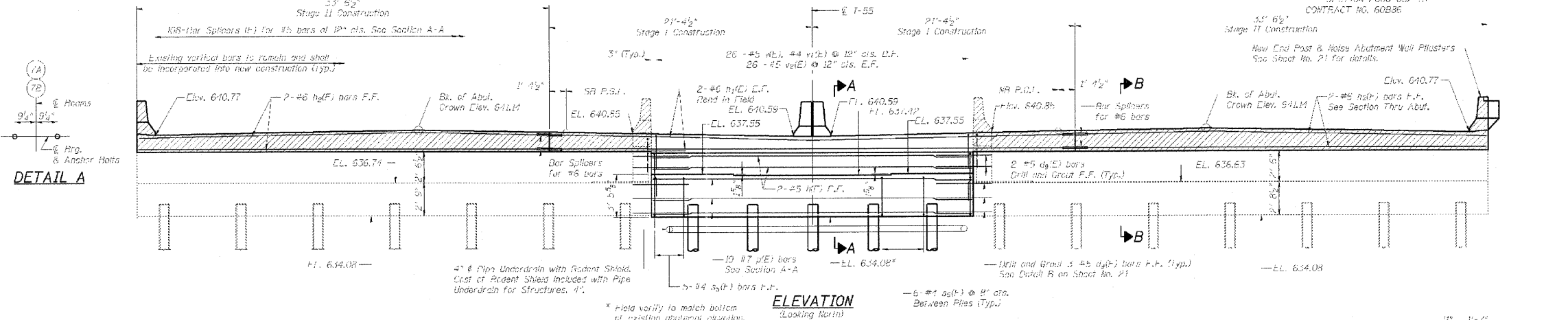
STATE OF ILLINOIS
DEPARTMENT OF TRANSPORTATION

STATE OF ILLINOIS
DEPARTMENT OF TRANSPORTATION

NO. 1	NO. 2	NO. 3	NO. 4	NO. 5
FAI 55	XX	WILL	505	361

SECTION 2006 OSP BY
CONTRACT NO. 60B04

SHEET NO. 20
32 SHEETS



LEGEND:

- Existing Pile
- New Vertical Pile
- New Haliated Pile
- Concrete Repair
- F.F. Face First
- R.F. Face End
- R.T. Back Face

DESIGNED P. PLOPEZ
CHECKED M. SHAIKH
DRAWN P. PLOPEZ
CHECKED M. SHAIKH

PILE DATA

Type: 12" x Metal Shell Concrete Piles with 1/2" Thick Walls
Capacity: 55 Tons
Est. Length: 36'
No. Required: 4-1 Test Pile

- Notes:**
- See Sheet No. 21 for Sections A, A & B, B.
 - All elevations given at back of abutment unless otherwise noted.
 - For Details of bar splices, See Sheet No. 26.

**NORTH ABUTMENT WIDENING
I-55 OVER MS (ABANDONED) R.R.
FAI ROUTE 55-SEC. 2006-032 BY
WILL COUNTY
STA. 710+34.86
STRUCTURE NO. 099-0022 (NB)
STRUCTURE NO. 099-0023 (SB)**



T:\16817A\Struct\Cadd\Pre-Final\Noise wall\Wall 9b\099\W025-60B04-006.dgn
05-FEB-2009 16:47

DESIGNED P. LOPEZ
CHECKED J. GRAINAWI
DRAWN D. C. PATEL
CHECKED J. GRAINAWI

FOR INFORMATION ONLY



SHEET NO. 6	F.A.I. RTE.	SECTION	COUNTY	TOTAL SHEETS	SHEET NO.
14 SHEETS	55	99 (1&2) I-12	WILL	147	92c
			CONTRACT NO. 60B04		
			FED. ROAD DIST. NO. 7 ILLINOIS FED. AID PROJECT		

**NB BRIDGE BARRIER DETAILS
STRUCTURE NO. 099-W025**