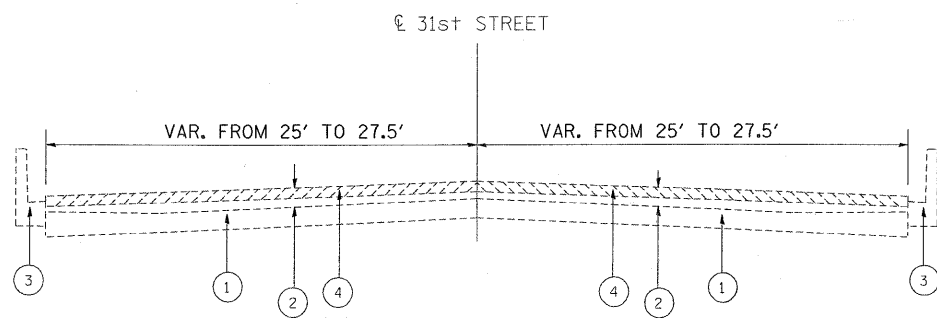
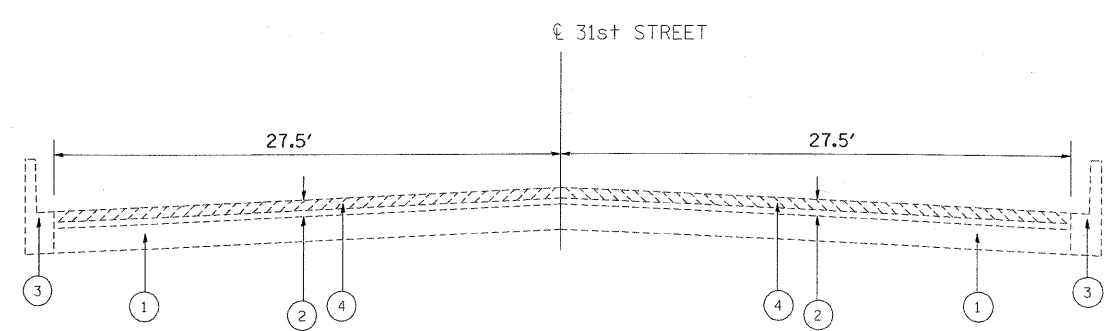


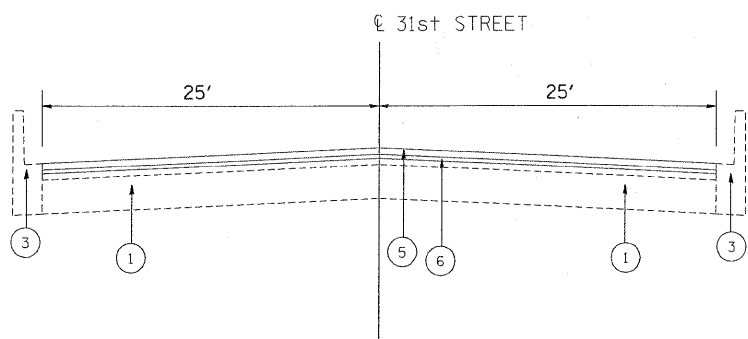
EXISTING TYPICAL SECTION
31st STREET
STA. 96+88 TO STA. 164+08



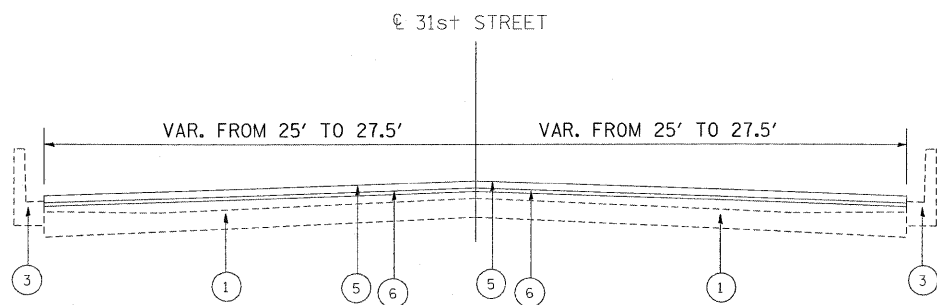
EXISTING TYPICAL SECTION
31st STREET
STA. 164+08 STA. 165+05



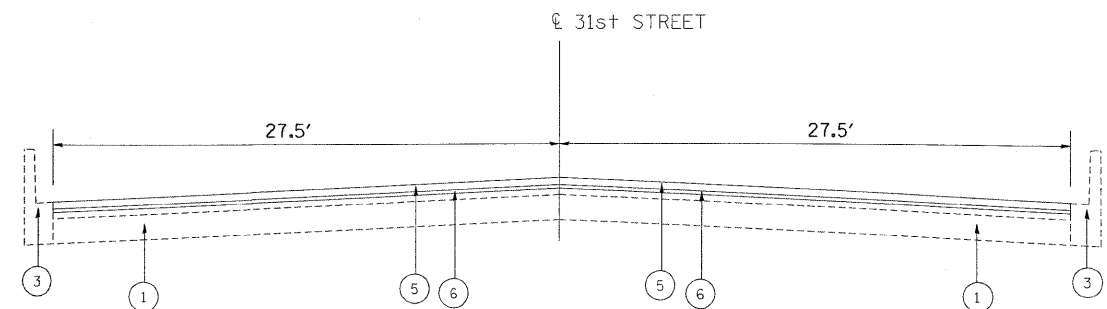
EXISTING TYPICAL SECTION
31st STREET
STA. 165+05 TO STA. 172+68
STA. 288+33 TO STA. 291+23



PROPOSED TYPICAL SECTION
31st STREET
STA. 96+88 TO STA. 164+08



PROPOSED TYPICAL SECTION
31st STREET
STA. 164+08 STA. 165+05



PROPOSED TYPICAL SECTION
31st STREET
STA. 165+05 TO STA. 172+68
STA. 288+33 TO STA. 291+23

HOT-MIX ASPHALT MIXTURE REQUIREMENTS		
MIXTURE TYPE	AC TYPE	AIR VOIDS
RESURFACING		
HOT-MIX ASPHALT SURFACE COURSE, MIX "D", N70 (IL-9.5 MM)	PG 64-22	4% @ 70 GYR
POLYMERIZED LEVELING BINDER (MACHINE METHOD), IL-4.75, N50	SBS/SBR PG 76-28/-22	4% @ 50 GYR
PATCHING		
CLASS D PATCHES (HMA BINDER IL-19 mm)	PG 64-22*	4% @ 70 GYR
HOT-MIX ASPHALT REPLACEMENT OVER PATCHES (HMA BINDER IL-19MM)	PG 64-22*	4% @ 70 GYR

"THE UNIT WEIGHT USED TO CALCULATE ALL HMA SURFACE MIXTURE QUANTITIES IS 112 LB/ SQ YD/IN"
* WHEN RAP EXCEEDS 20%, THE NEW ASPHALT BINDER IN THE MIX SHALL BE PG 58 -22.

LEGEND

- ① EXISTING PCC PAVEMENT ±8"
- ② EXISTING HMA OVERLAY ±4"
- ③ EXISTING COMBINATION CONCRETE CURB & GUTTER
- ④ PROPOSED HOT-MIX ASPHALT SURFACE REMOVAL, 2 1/4"
- ⑤ PROPOSED HOT-MIX ASPHALT SURFACE COURSE, MIX "D", N70, 1 1/2"
- ⑥ PROPOSED POLYMERIZED LEVELING BINDER (MACHINE METHOD), IL-4.75, N50, 3/4"