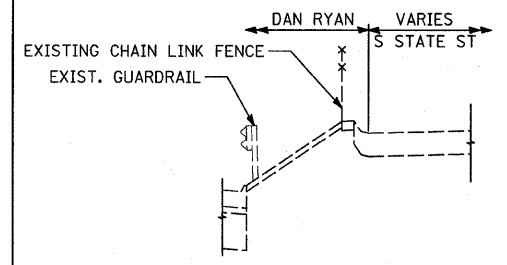
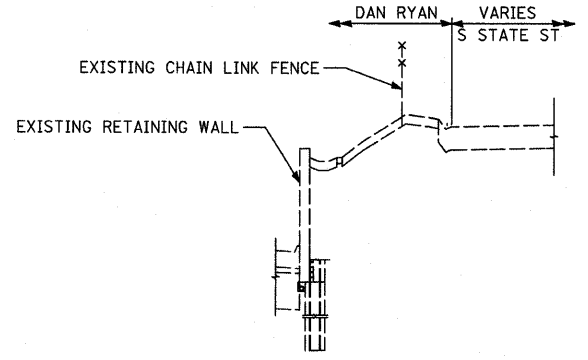


F.A.I. RTE.	SECTION	COUNTY	TOTAL SHEETS	SHEET NO.
94	1516.1 I-7	COOK	58	5
STA. 2212+06.20		TO STA. 2243+03.23		
FED. ROAD DIST. NO.		ILLINOIS FED. AID PROJECT		

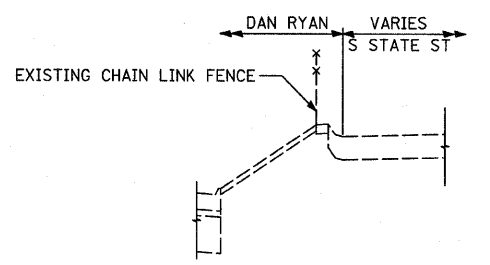
62971



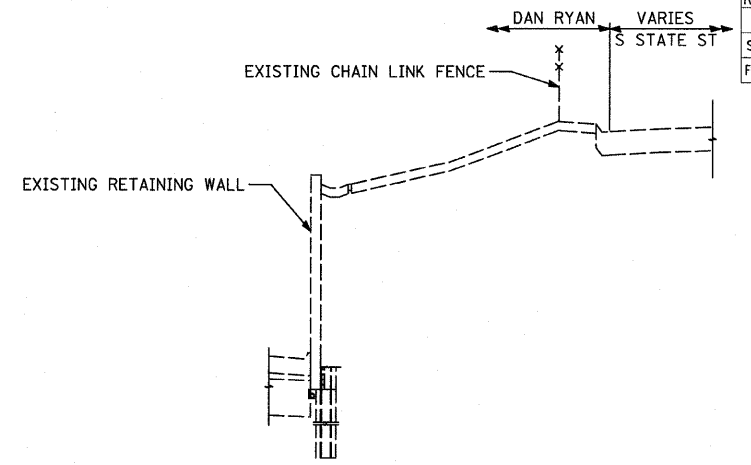
EXISTING NB STATE ST.



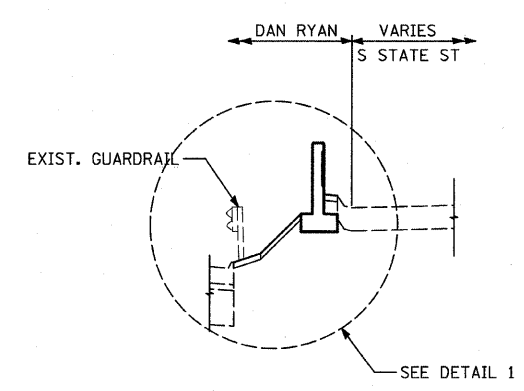
EXISTING NB STATE ST.



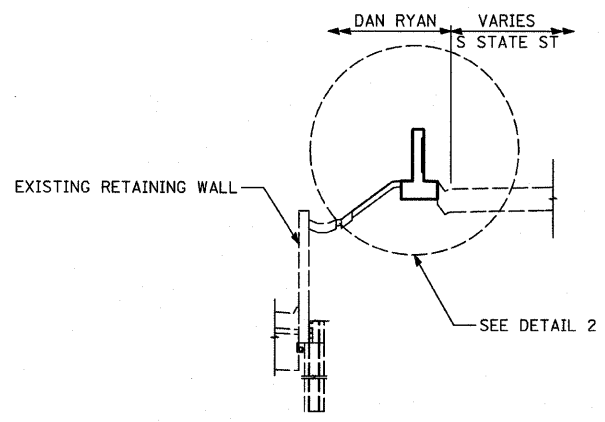
EXISTING NB STATE ST.



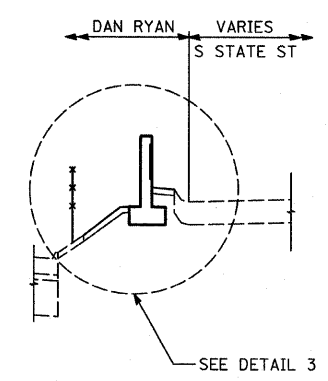
EXISTING NB STATE ST.



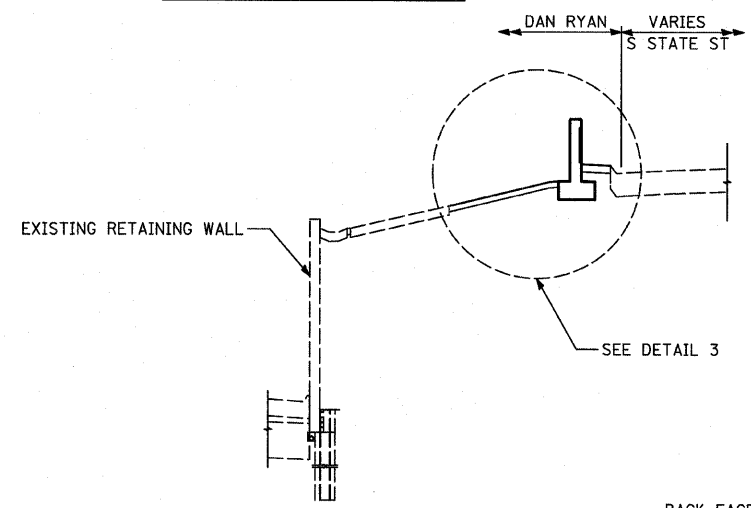
PROPOSED NB STATE ST.
STA. 2212+46.6 TO STA. 2213+59.3



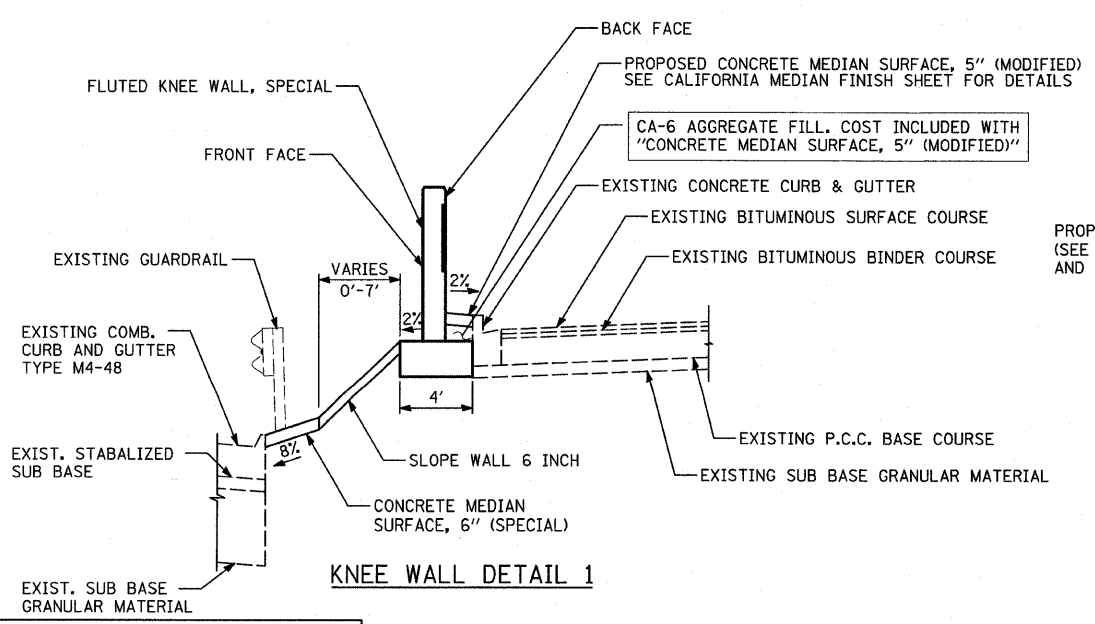
PROPOSED NB STATE ST.
STA. 2213+59.3 TO STA. 2214+78.1
STA. 2233+32.7 TO STA. 2236+37.5
STA. 2239+15.1 TO STA. 2240+18.7



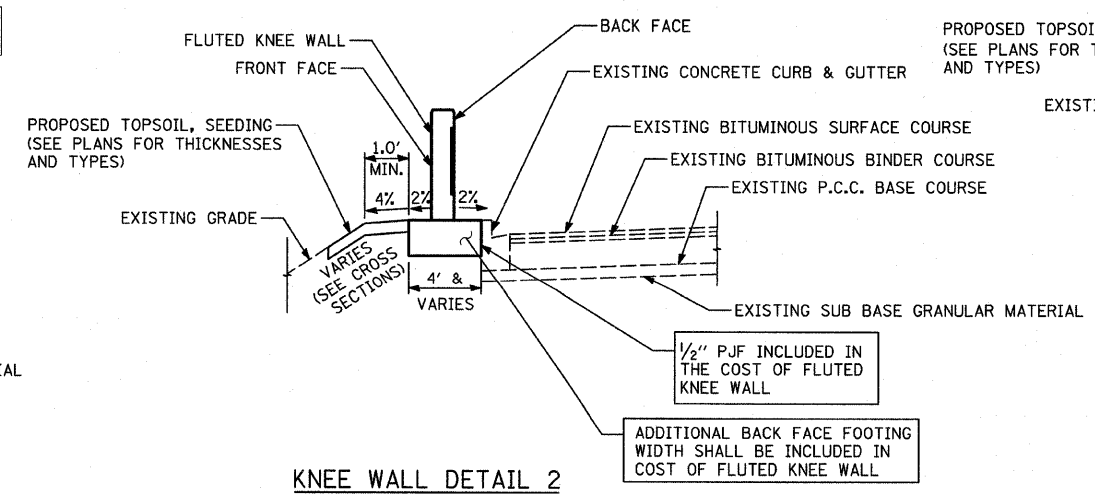
PROPOSED NB STATE ST.
STA. 2242+73.2 TO STA. 2243+03.2



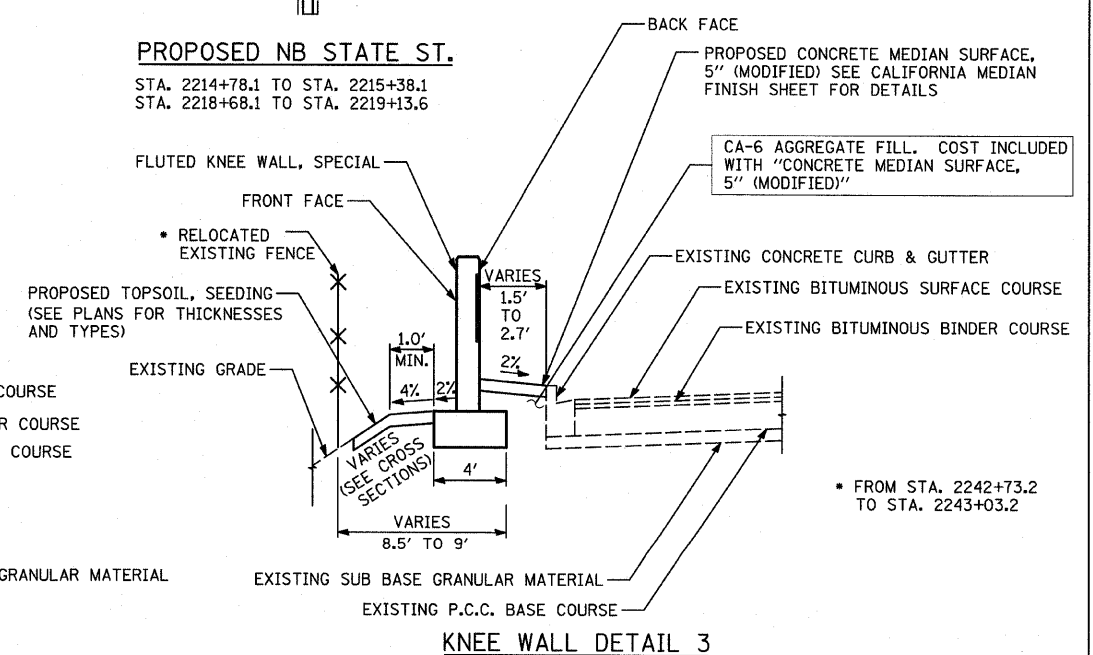
PROPOSED NB STATE ST.
STA. 2214+78.1 TO STA. 2215+38.1
STA. 2218+68.1 TO STA. 2219+13.6



KNEE WALL DETAIL 1



KNEE WALL DETAIL 2



KNEE WALL DETAIL 3

REVISIONS	
NAME	DATE

ILLINOIS DEPARTMENT OF TRANSPORTATION
F.A.I. 94 (DAN RYAN EXPRESSWAY)
EXISTING AND PROPOSED TYPICAL SECTIONS
NB STATE ST.
SHEET 1 OF 2
SCALE: NONE
DATE: OCTOBER 17, 2008
DRAWN BY: TB
CHECKED BY: TGB, MI

TYLIN INTERNATIONAL