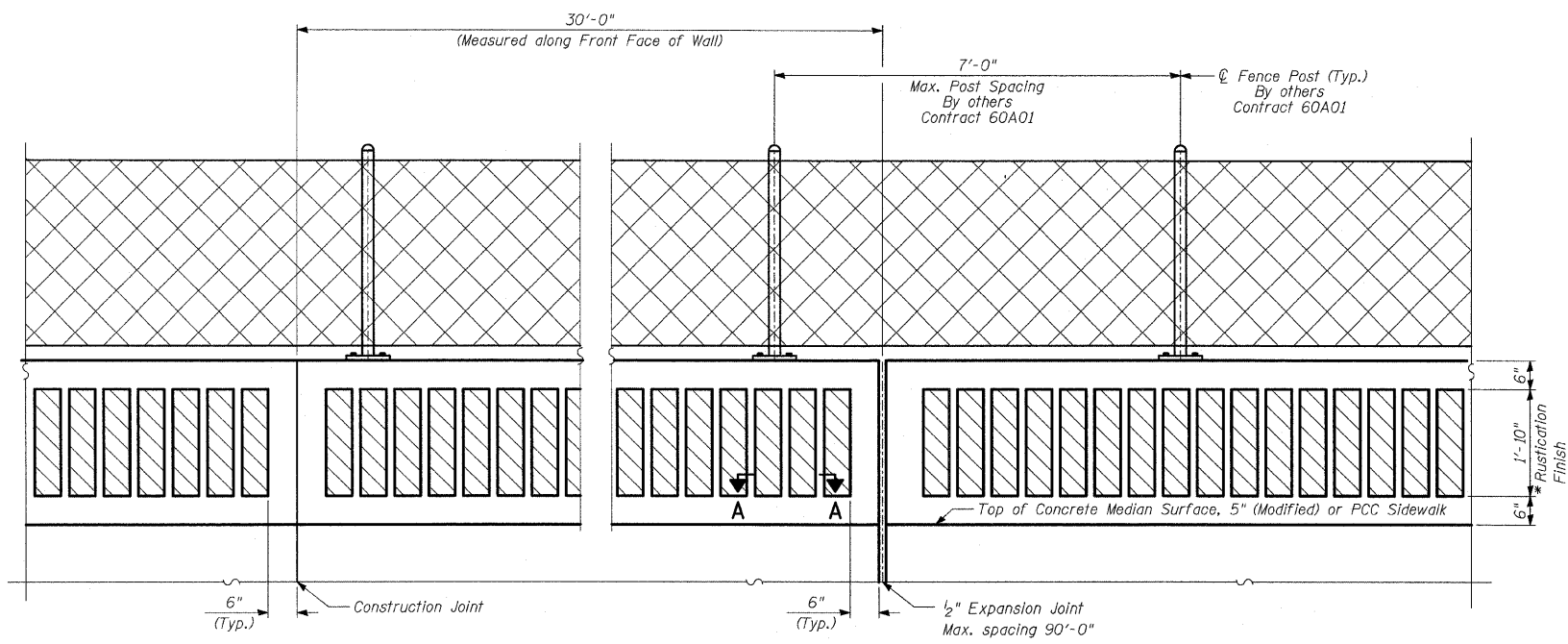


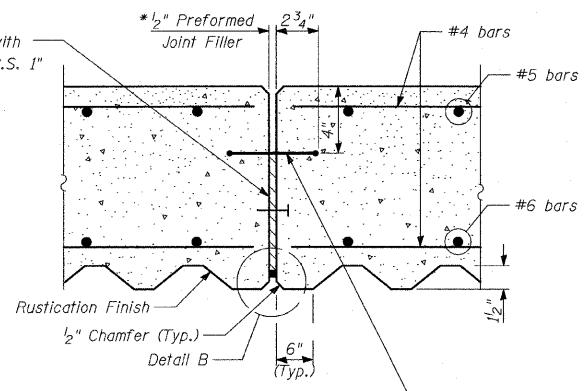
F.A.I. RTE.	SECTION	COUNTY	TOTAL SHEETS	SHEET NO.
94	1516.1 I-7	COOK	58	35
STA. 2212+06.20		TO STA. 2243+03.23		
FED. ROAD DIST. NO.	ILLINOIS	FED. AID PROJECT		

62971



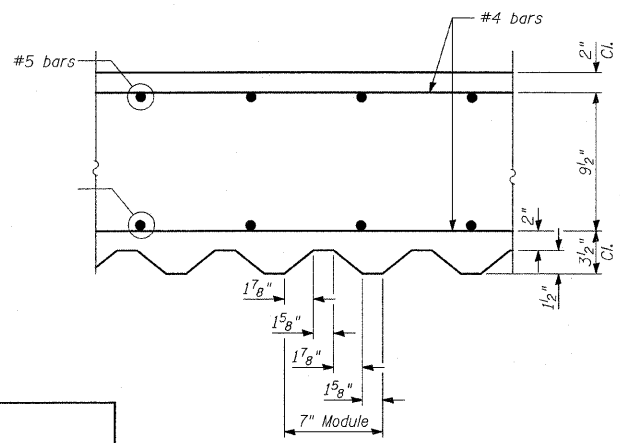
BACK FACE ELEVATION - FLUTED KNEE WALL, SPECIAL AND CHAIN LINK FENCE

* 1/2" Preformed Joint Filler with Concrete Nails, Flat Head C.S. 1" Long @ 12" Cts. Vertical.

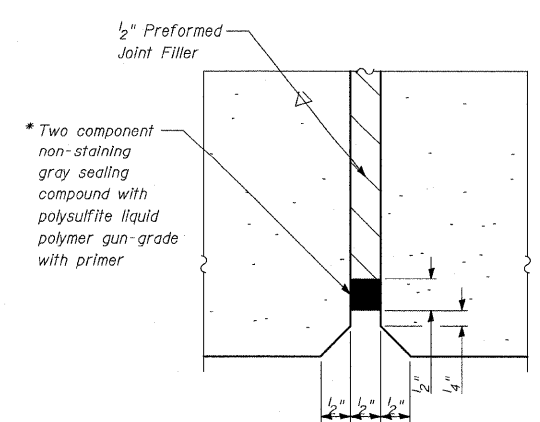
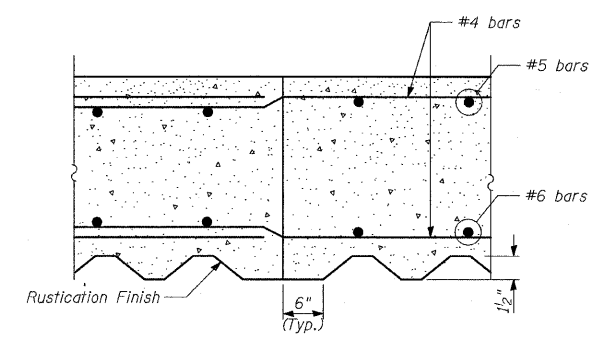


* 6" Hollow Bulb Dumbbell Type Non-Metallic Water Seal. (6" from Top of Wall to Bottom)

EXPANSION JOINT DETAILS



SECTION A-A

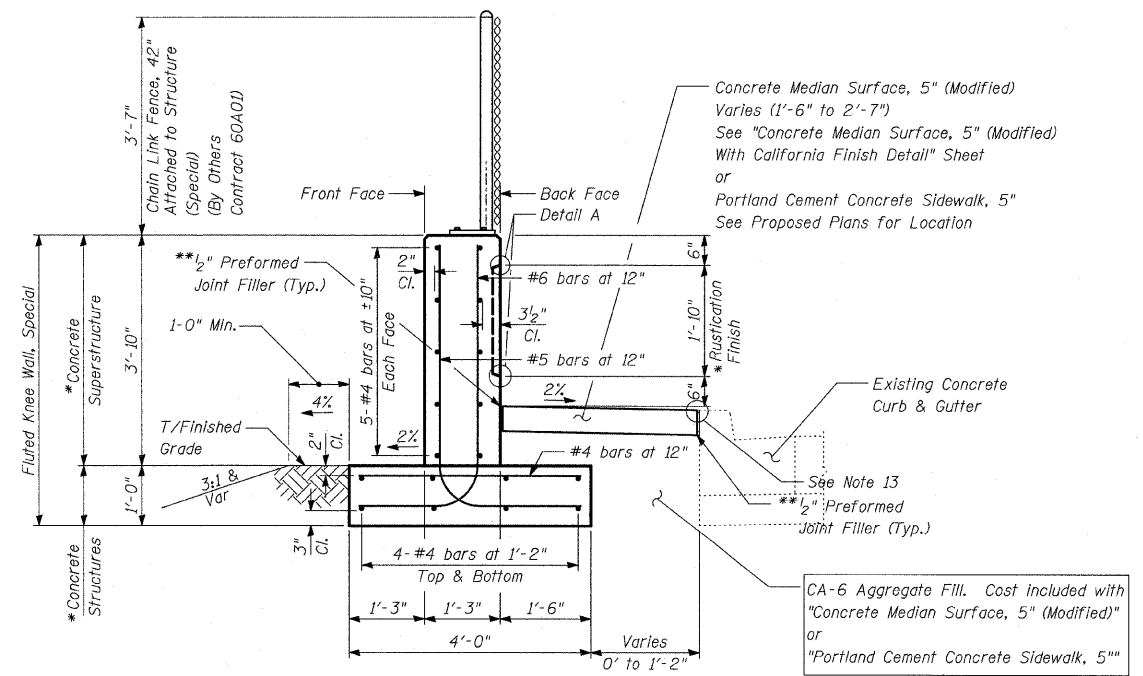


DETAIL B

LAP SPLICES

Bar	Lap
#4	1'-8"
#5	2'-2"
#6	2'-7"

TYLIN INTERNATIONAL



TYPICAL SECTION FLUTED KNEE WALL, SPECIAL

Sta. 2212+46.6 to Sta. 2213+59.3
 Sta. 2214+78.1 to Sta. 2215+38.1
 Sta. 2218+68.1 to Sta. 2219+13.6
 Sta. 2233+17.3 (Back Face) to Sta. 2233+32.7
 Sta. 2242+73.2 to Sta. 2243+03.2

BILL OF MATERIAL

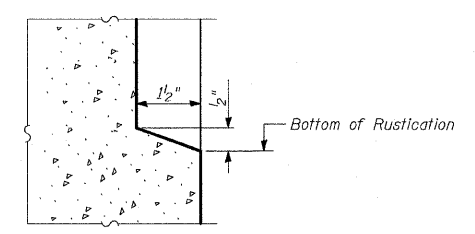
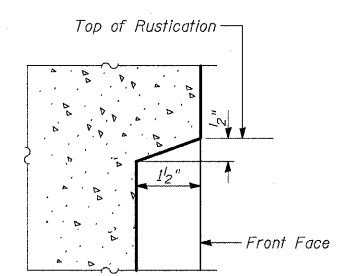
QUANTITIES PER LINEAR FOOT OF FLUTED KNEE WALL, SPECIAL		
ITEM	UNIT	TOTAL
Concrete Structures	CU YD	0.15
Concrete Superstructure	CU YD	0.18
Protective Coat	SQ YD	1.02
Rustication Finish	SQ FT	1.84
Reinforcement Bars, Epoxy Coated	POUND	31.4

NOTES:

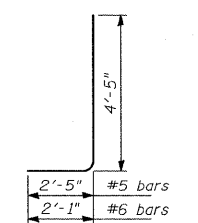
1. For notes, see "Fluted Knee Wall Standard Details" sheet.

* Cost included with "Fluted Knee Wall Special"

** Cost included with "Concrete Median Surface, 5" (Modified)" or "Portland Cement Concrete Sidewalk, 5"



DETAIL A



BARS BEND DETAILS

REVISIONS	
NAME	DATE

ILLINOIS DEPARTMENT OF TRANSPORTATION
 F.A.I. 94 (DAN RYAN EXPRESSWAY)
 94TH ST. TO N. OF 89TH ST. (PRIVATE)
 FLUTED KNEE WALL, SPECIAL
 STANDARD DETAILS

S.N. DESIGNED BY: MAF
 SCALE: N.T.S. DRAWN BY: MAF, TB
 DATE: OCTOBER 17, 2008 CHECKED BY: MI

10/17/2008 11:33:49 AM