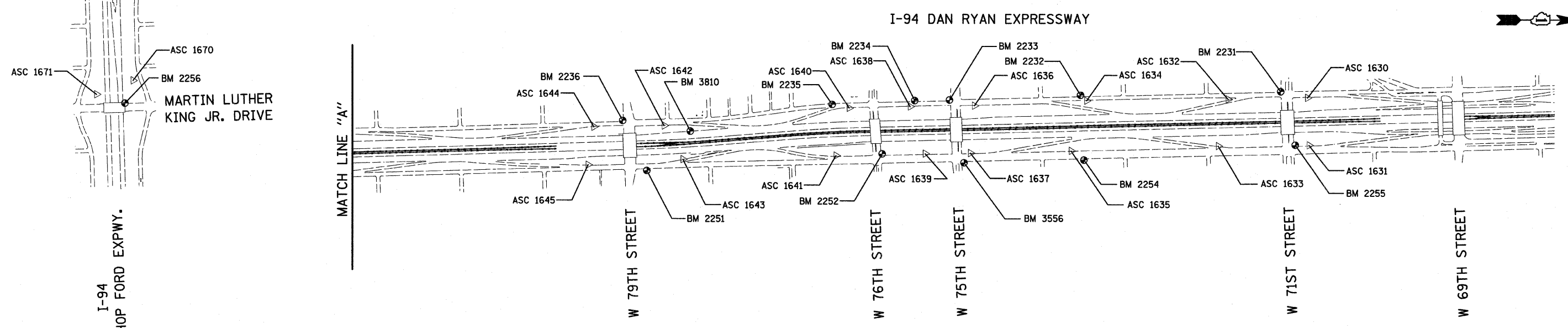
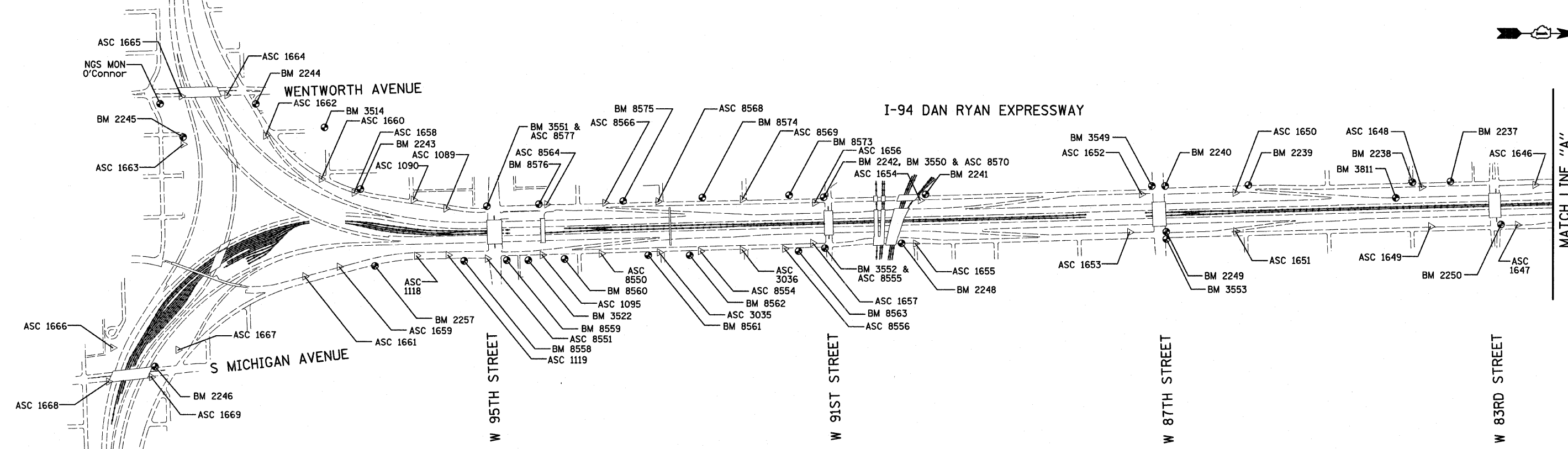


F.A.I. RTE.	SECTION	COUNTY	TOTAL SHEETS	SHEET NO.
94	1818 I-7	COOK	58	10
STA. 2339+42.81		TO STA. 2364+99.12		
FED. ROAD DIST. NO.	ILLINOIS	FED. AID PROJECT		
62975				

I-57
EXPWY
SEE SHEET 2 OF 7
MATCH LINE "B"



American Surveying Consultants, P.C.
SURVEYORS-ENGINEERS-GEODETISTS-MAPPING SCIENTISTS
1837 PLOUMBIER BLVD., SUITE 100, CHICAGO, ILLINOIS 60614
TEL: 312.467.1100 FAX: 312.467.1101

REVISIONS	
NAME	DATE

ILLINOIS DEPARTMENT OF TRANSPORTATION
F.A.I. 94 (DAN RYAN EXPRESSWAY)
SURVEY TIES FOR CONTROL POINTS
SHEET 1 OF 7
SCALE: 1"=400'
DATE: FEBRUARY 13, 2009
DRAWN BY: GSP
CHECKED BY: MMW

P:\02373\road\259\1818\18181053.dwg 3/19/2009 2:43:30 PM