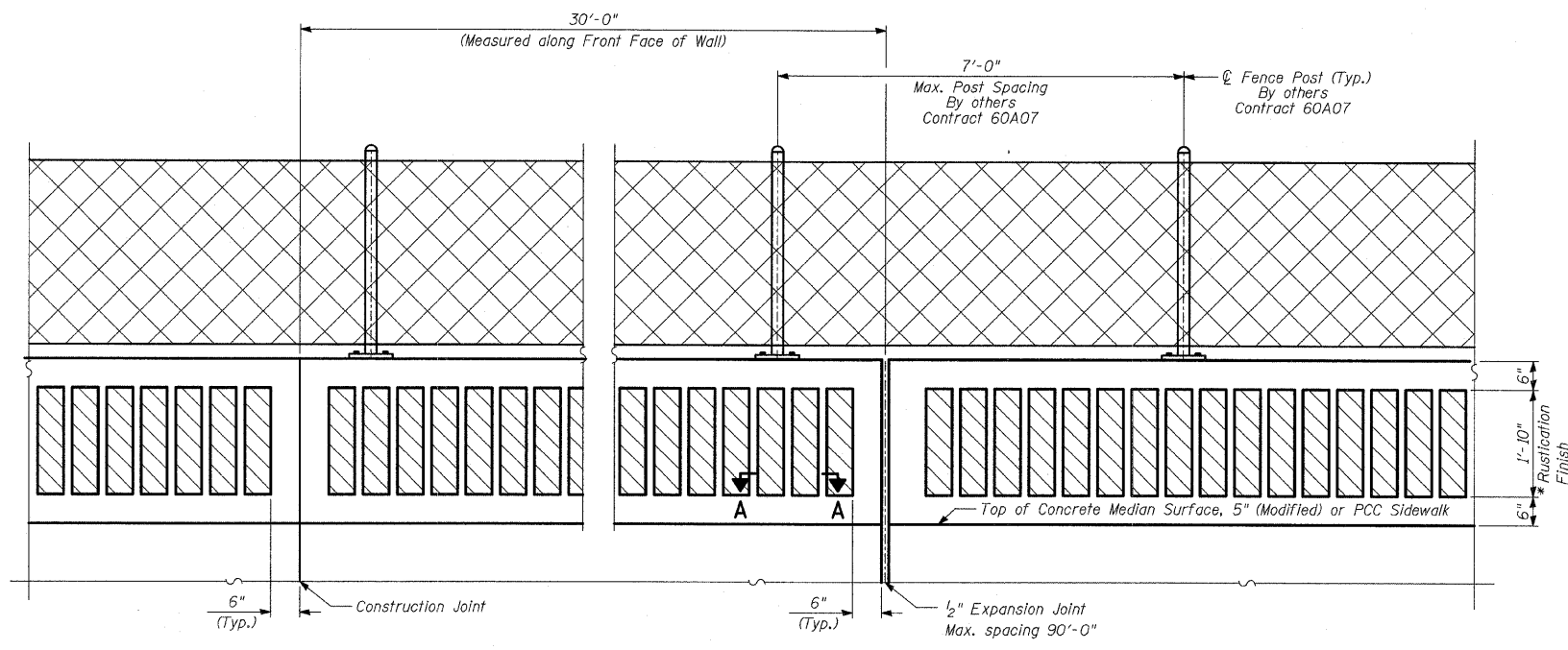
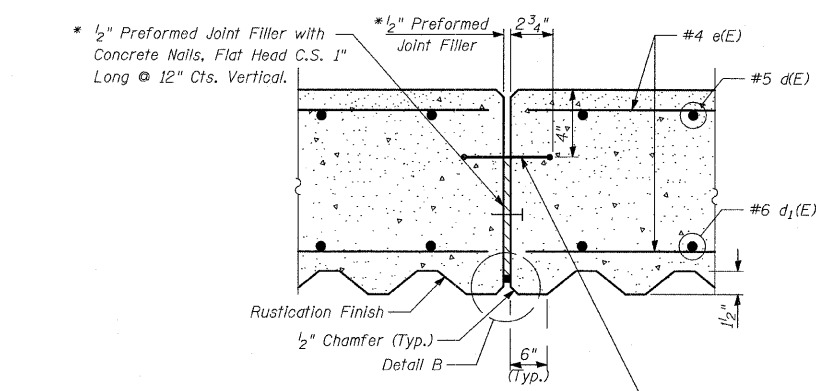


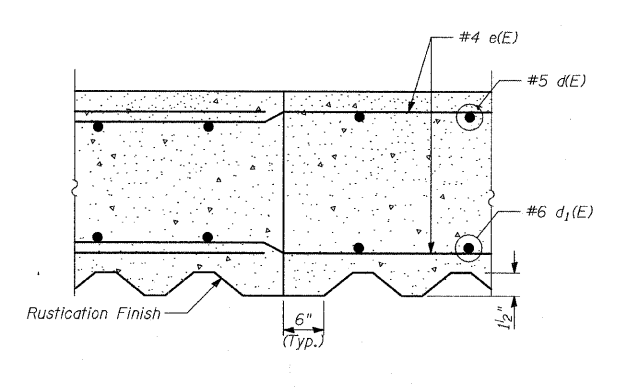
F.A.I. RTE.	SECTION	COUNTY	TOTAL SHEETS	SHEET NO.
94	1818 I-7	COOK	58	34
STA. 2339+42.81		TO STA. 2364+99.12		
FED. ROAD DIST. NO.	ILLINOIS	FED. AID PROJECT	62975	



BACK FACE ELEVATION - FLUTED KNEE WALL, SPECIAL AND CHAIN LINK FENCE



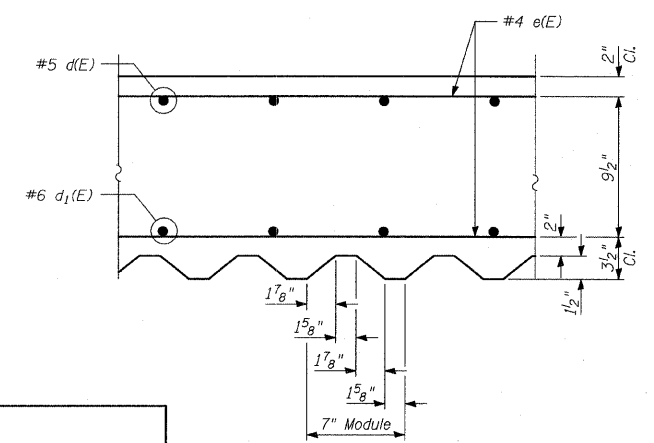
EXPANSION JOINT DETAILS



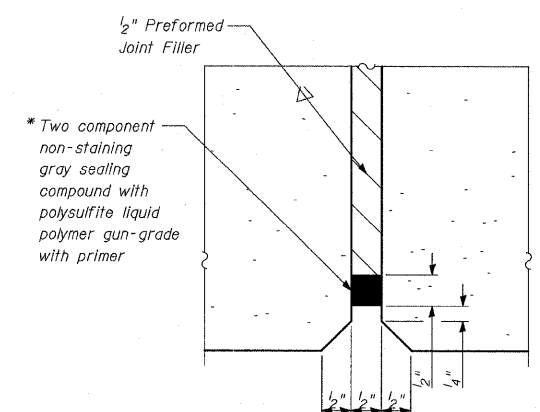
CONSTRUCTION JOINT DETAILS

LAP SPLICES

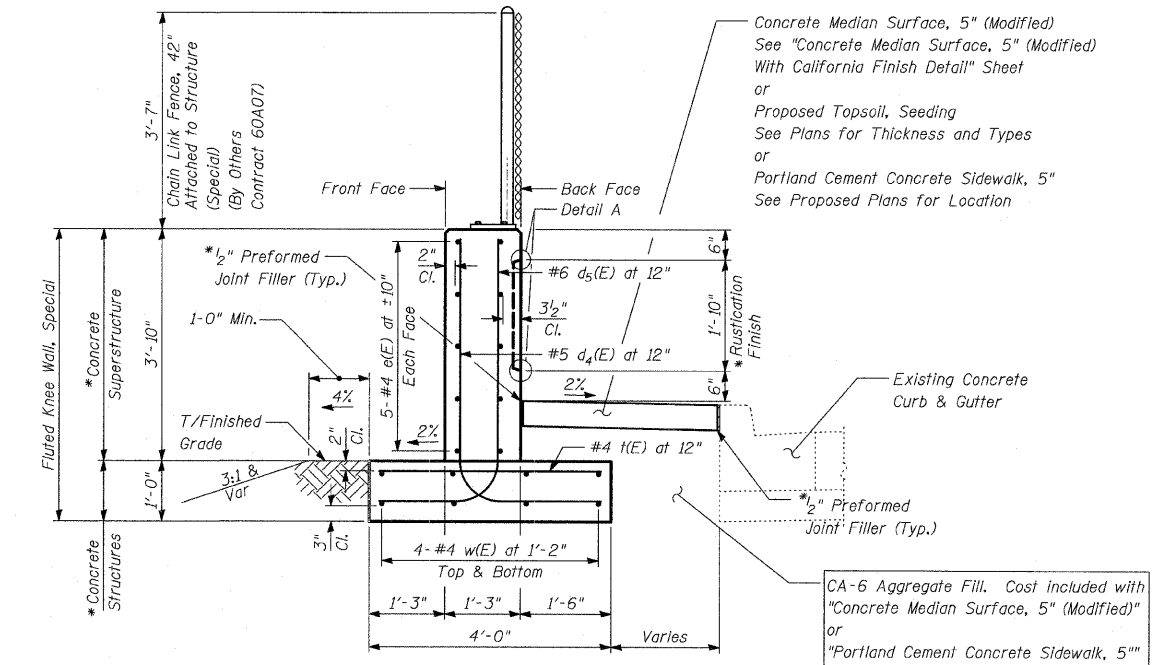
Bar	Lap
#4	1'-8"
#5	2'-2"
#6	2'-7"



SECTION A-A

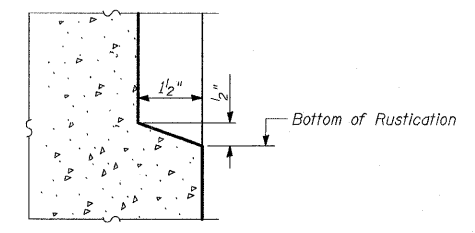
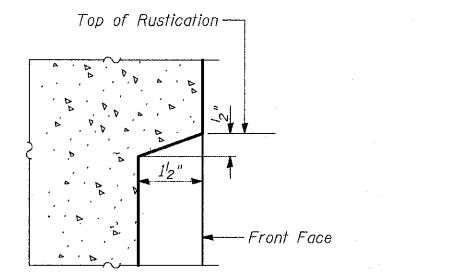


DETAIL B



TYPICAL SECTION FLUTED KNEE WALL, SPECIAL

Sta. 2341+05.7 to Sta. 2343+14.7
Sta. 2344+36.1 to Sta. 2346+16.1
Sta. 2356+11.2 to Sta. 2358+09.0



DETAIL A

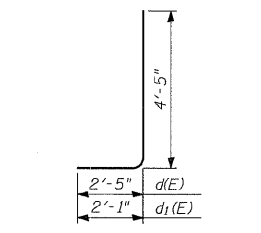
BILL OF MATERIAL

QUANTITIES PER FOOT OF FLUTED KNEE WALL, SPECIAL		
ITEM	UNIT	TOTAL
Concrete Structures	CU YD	0.15
Concrete Superstructure	CU YD	0.18
Protective Coat	SQ YD	1.01
Rustication Finish	SQ FT	1.84
Reinforcement Bars, Epoxy Coated	POUND	31.8

NOTES:

1. For notes, see "Fluted Knee Wall Standard Details" sheet.

* Cost included with "Fluted Knee Wall, Special."



BARS d4(E) & d5(E)

REVISIONS	
NAME	DATE

ILLINOIS DEPARTMENT OF TRANSPORTATION
F.A.I. 94 (DAN RYAN EXPRESSWAY)
FLUTED KNEE WALL, SPECIAL
ALONG STATE ST.
N 75TH ST. TO S 72ND ST.
FLUTED KNEE WALL, SPECIAL DETAILS
S.N. DESIGNED BY: MAF
SCALE: N.T.S. DRAWN BY: MAF, TB
DATE: FEBRUARY 13, 2009 CHECKED BY: MI

TYLIN INTERNATIONAL

P:\02373\STRUCT\NC25\FW25\FR\0234.dgn 3/19/2009 2:50:07 PM