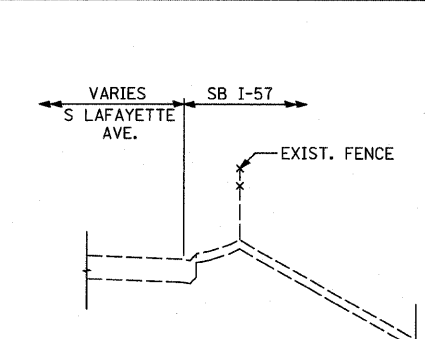
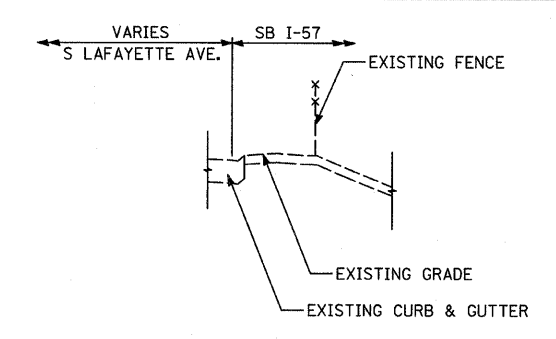
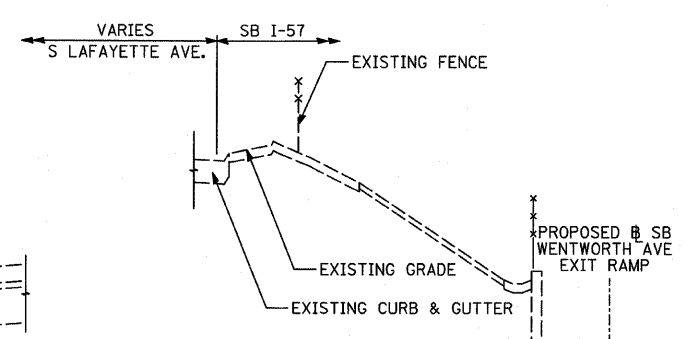
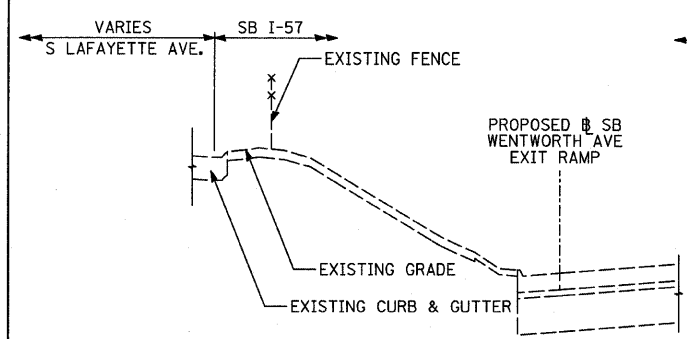


F.A.I. RTE.	SECTION	COUNTY	TOTAL SHEETS	SHEET NO.
94	1516.1 I-9	COOK	59	4
STA. 117+38.11 (SB I-57) TO STA. 218+95.72 (NB I-57)		STA. 154+09.94 (SB I-57) TO STA. 225+173.12 (NB I-57)		
FED. ROAD DIST. NO.		ILLINOIS FED. AID PROJECT		

62977

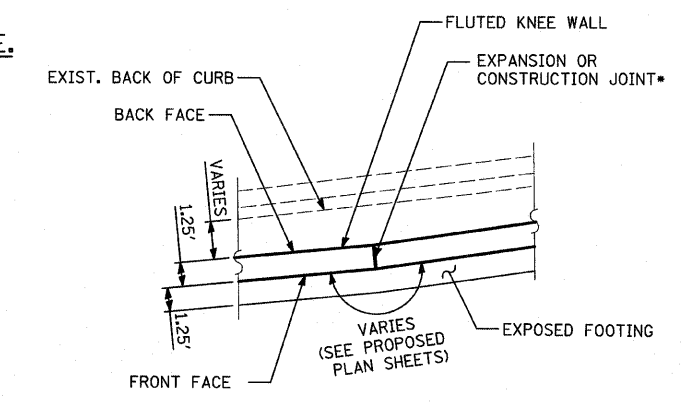
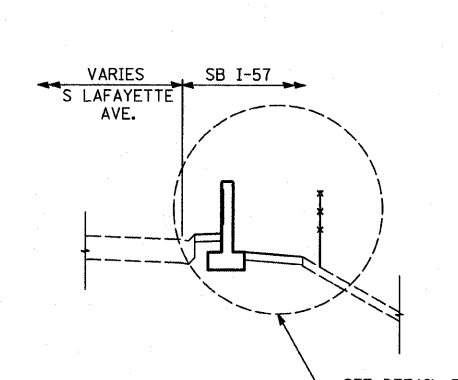
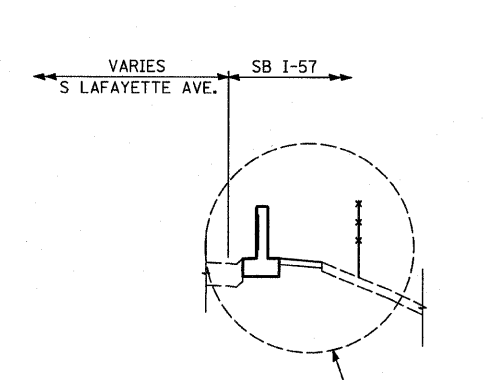
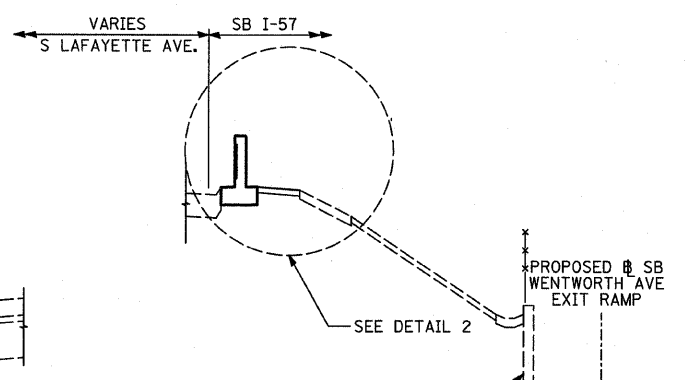
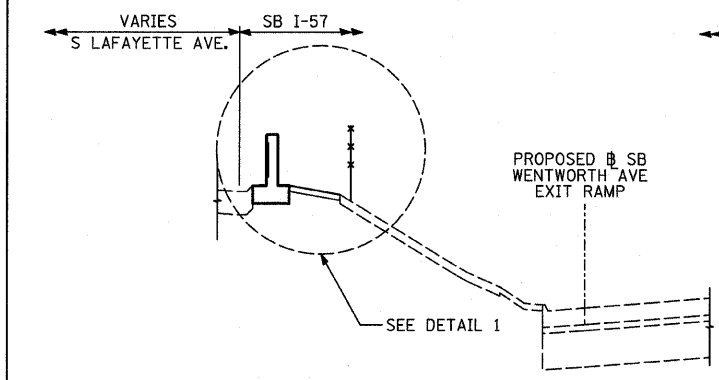


EXISTING SB LAFAYETTE AVE.

EXISTING SB LAFAYETTE AVE.

EXISTING SB LAFAYETTE AVE.

EXISTING SB LAFAYETTE AVE.



TYPICAL SECTION AT FLUTED KNEE WALL BEND

1/2" PJF AT EXPANSION JOINTS

PROPOSED SB LAFAYETTE AVE.

STA. 136+09.5 TO STA. 139+64.3

PROPOSED SB LAFAYETTE AVE.

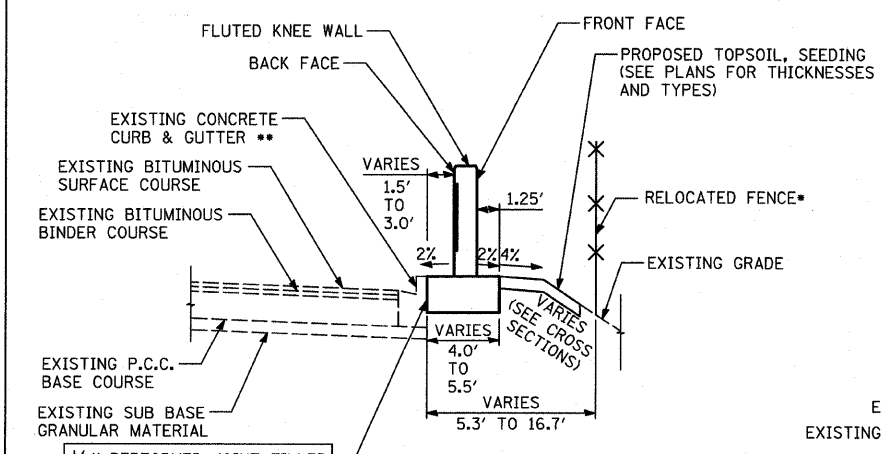
STA. 139+64.3 TO STA. 146+27.4

PROPOSED SB LAFAYETTE AVE.

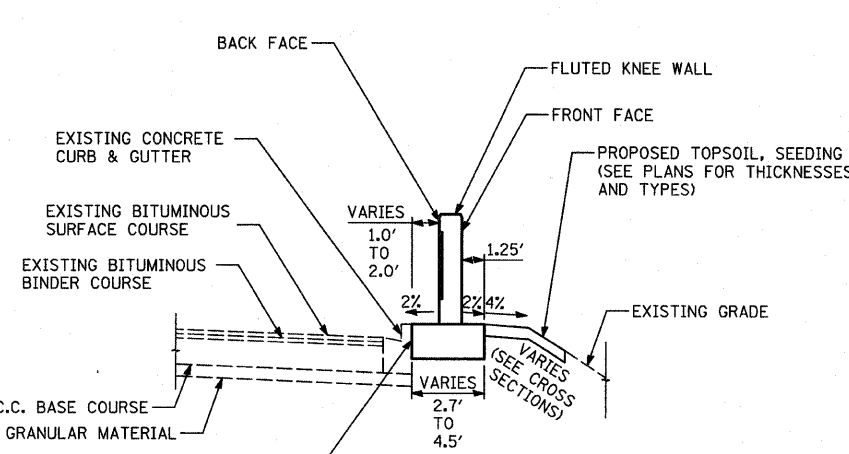
STA. 146+27.4 TO STA. 153+65.6

PROPOSED SB LAFAYETTE AVE.

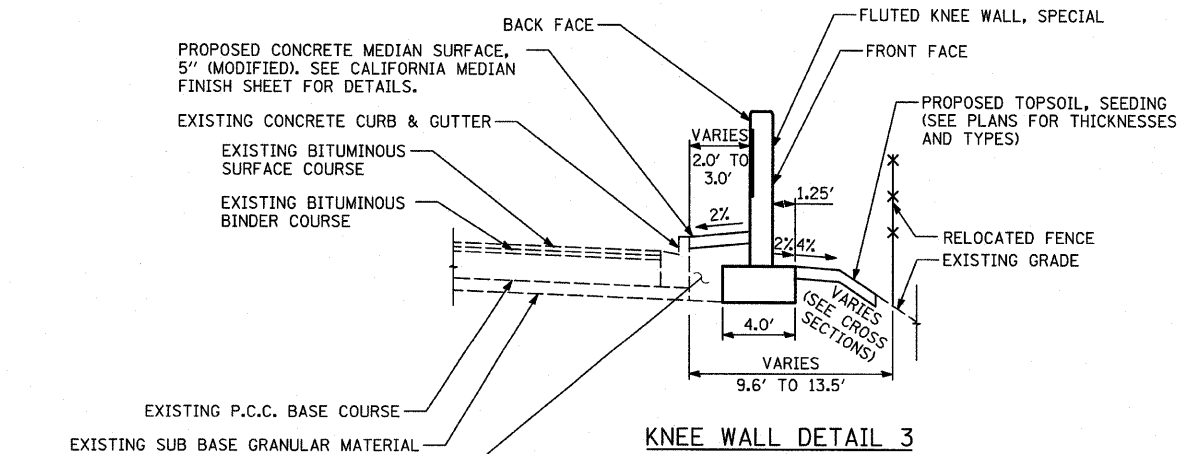
STA. 153+65.6 TO STA. 154+00.9



KNEE WALL DETAIL 1



KNEE WALL DETAIL 2



KNEE WALL DETAIL 3

CA-6 AGGREGATE FILL, COST INCLUDED WITH "CONCRETE MEDIAN SURFACE, 5" (MODIFIED)"

\* STA. 136+09.5 to STA. 139+64.3  
 STA. 146+27.4 to STA. 146+59.2  
 STA. 148+00.0 to STA. 149+00.3  
 STA. 151+49.9 to STA. 151+94.5  
 STA. 153+49.6 to STA. 153+65.6

\*\* PROPOSED CONCRETE CURB AND GUTTER  
 STA. 151+49.9 TO STA. 151+94.5

REVISIONS	
NAME	DATE

ILLINOIS DEPARTMENT OF TRANSPORTATION  
 F.A.I. 94 (DAN RYAN EXPRESSWAY)  
 EXISTING AND PROPOSED TYPICAL SECTIONS  
 SB LAFAYETTE AVE.

SCALE: NONE  
 DATE: JANUARY 16, 2009  
 DRAWN BY: AMB, MAF  
 CHECKED BY: TGB, MI

TYLIN INTERNATIONAL

P:\0231\3\road\c6b0a26a870\3.dgn 1/15/2009 11:05:50 AM