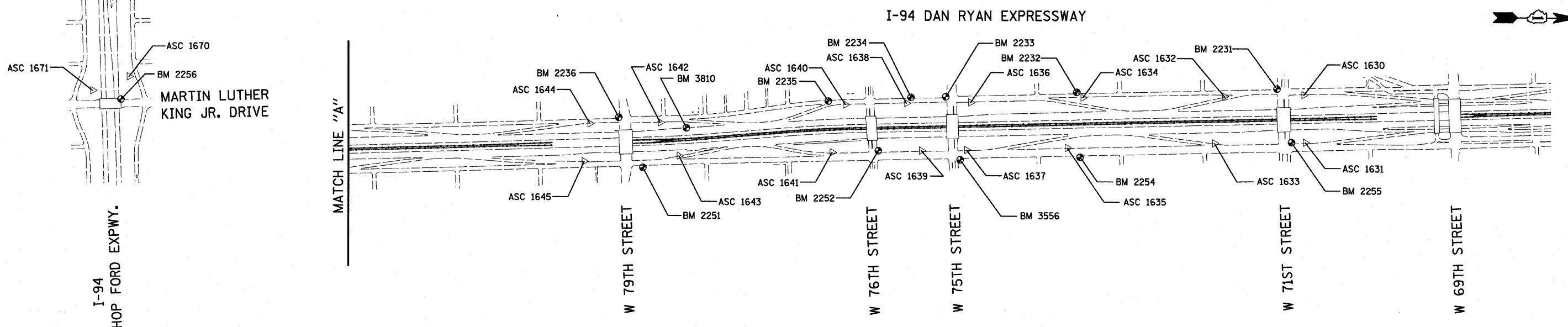
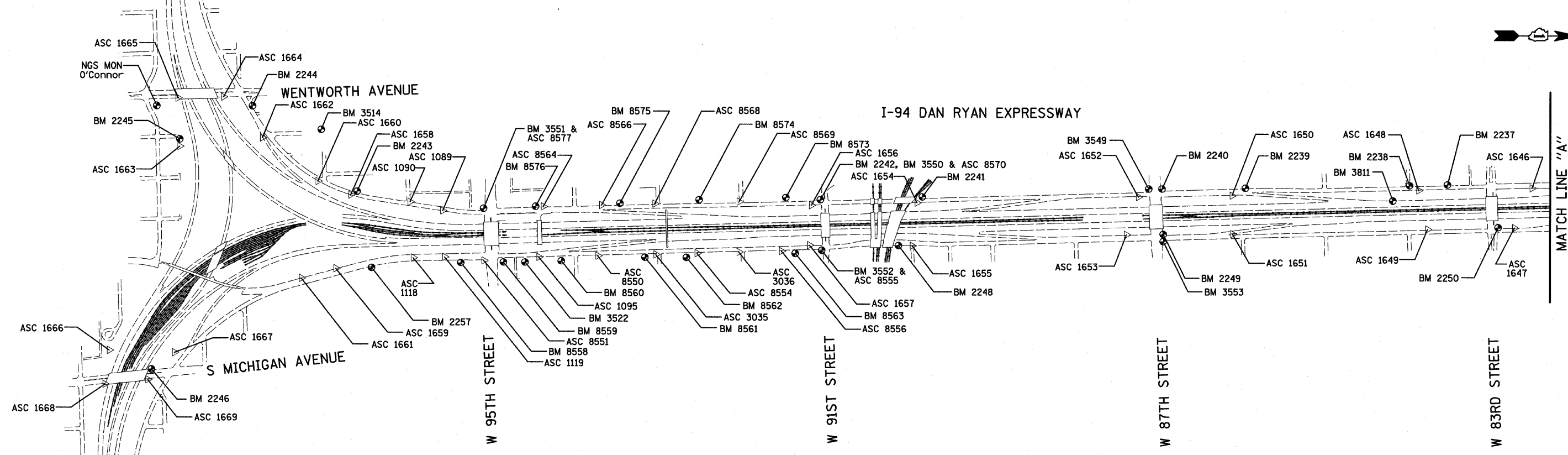


F.A.I. RTE.	SECTION	COUNTY	TOTAL SHEETS	SHEET NO.
94	1516.1 I-9	COOK	59	9
STA. 117+38.11 (SB I-57) TO STA. 154+09.94 (SB I-57)				
STA. 218+95.72 (NB I-57)				
FED. ROAD DIST. NO. ILLINOIS FED. AID PROJECT				

62977

I-57 EXPWY
SEE SHEET 2 OF 7
MATCH LINE "B"



I-94
BISHOP FORD EXPWY.

REVISIONS	
NAME	DATE

ILLINOIS DEPARTMENT OF TRANSPORTATION
F.A.I. 94 (DAN RYAN EXPRESSWAY)

SURVEY TIES FOR CONTROL POINTS
SHEET 1 OF 7

SCALE: 1"=400'
DATE: JANUARY 16, 2009

DRAWN BY: GSP
CHECKED BY: MMW

P:\02373\Road\268\268.dwg 1/15/2009 11:11:37 AM