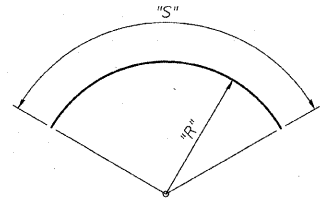


F.A.I. RTE.	SECTION	COUNTY	TOTAL SHEETS	SHEET NO.
94	1516.1 I-9	COOK	59	32
STA. 117+38.11 (SB I-57) TO STA. 154+09.94 (SB I-57)			STA. 218+95.72 (NB I-57) TO STA. 225+19.12 (NB I-57)	
FED. ROAD DIST. NO.	ILLINOIS	FED. AID PROJECT		

62977

BILL OF MATERIAL
Light Tower Service Pad, Special with 5'-0" Wall (Note 4)

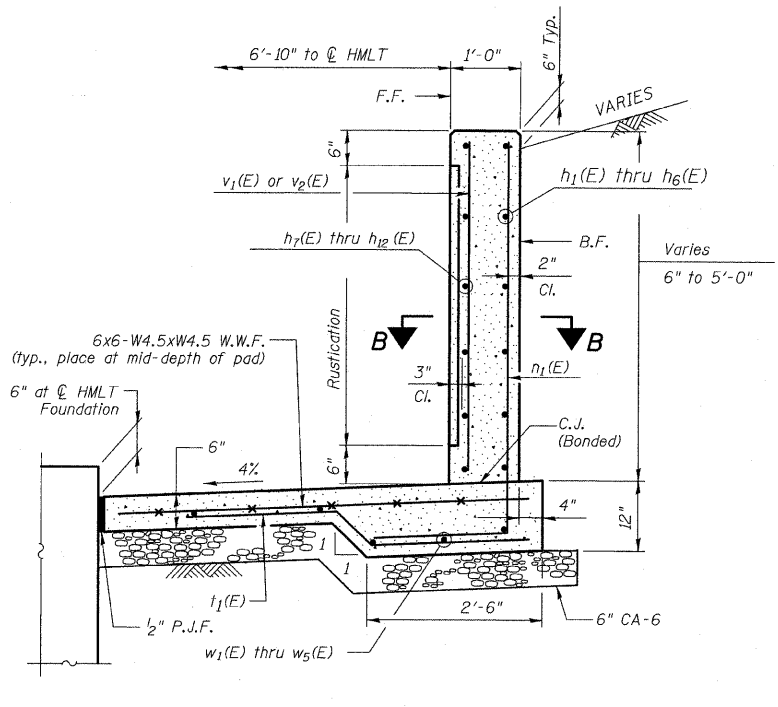
Bar	No.	Size	Length	Shape
h ₁ (E)	1	#5	23'-6"	[Symbol]
h ₂ (E)	1	#5	20'-10"	[Symbol]
h ₃ (E)	1	#5	17'-8"	[Symbol]
h ₄ (E)	1	#5	14'-6"	[Symbol]
h ₅ (E)	1	#5	11'-4"	[Symbol]
h ₆ (E)	1	#5	8'-2"	[Symbol]
h ₇ (E)	1	#4	22'-1"	[Symbol]
h ₈ (E)	1	#4	19'-7"	[Symbol]
h ₉ (E)	1	#4	16'-7"	[Symbol]
h ₁₀ (E)	1	#4	13'-7"	[Symbol]
h ₁₁ (E)	1	#4	10'-8"	[Symbol]
h ₁₂ (E)	1	#4	7'-8"	[Symbol]
n ₁ (E)	25	#6	7'-4"	[Symbol]
t ₁ (E)	25	#6	5'-1"	[Symbol]
v ₁ (E)	7	#4	5'-0"	[Symbol]
v ₂ (E)	8	#4	4'-8"	[Symbol]
w ₁ (E)	1	#5	24'-4"	[Symbol]
w ₂ (E)	1	#5	21'-7"	[Symbol]
w ₃ (E)	1	#5	18'-10"	[Symbol]
w ₄ (E)	1	#5	15'-5"	[Symbol]
w ₅ (E)	1	#5	11'-6"	[Symbol]



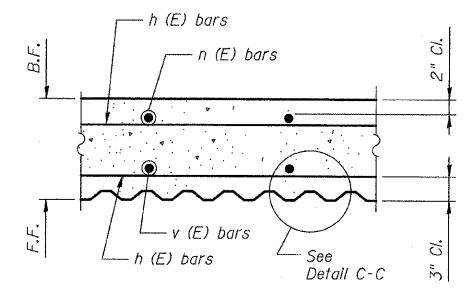
Bar	"R"	"S"
h ₁ (E)	7'-7"	23'-6"
h ₂ (E)	7'-7"	20'-10"
h ₃ (E)	7'-7"	17'-8"
h ₄ (E)	7'-7"	14'-6"
h ₅ (E)	7'-7"	11'-4"
h ₆ (E)	7'-7"	8'-2"
h ₇ (E)	7'-1 1/2"	22'-1"
h ₈ (E)	7'-1 1/2"	19'-7"
h ₉ (E)	7'-1 1/2"	16'-7"
h ₁₀ (E)	7'-1 1/2"	13'-7"
h ₁₁ (E)	7'-1 1/2"	10'-8"
h ₁₂ (E)	7'-1 1/2"	7'-8"
w ₁ (E)	7'-7"	24'-4"
w ₂ (E)	6'-8"	21'-7"
w ₃ (E)	5'-10"	18'-10"
w ₄ (E)	4'-9"	15'-5"
w ₅ (E)	3'-6"	11'-6"

Note: "R" and "S" measured along bar \angle

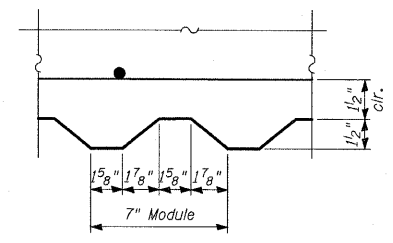
BARS w₁(E) thru w₅(E) & h₁(E) thru h₁₂(E)



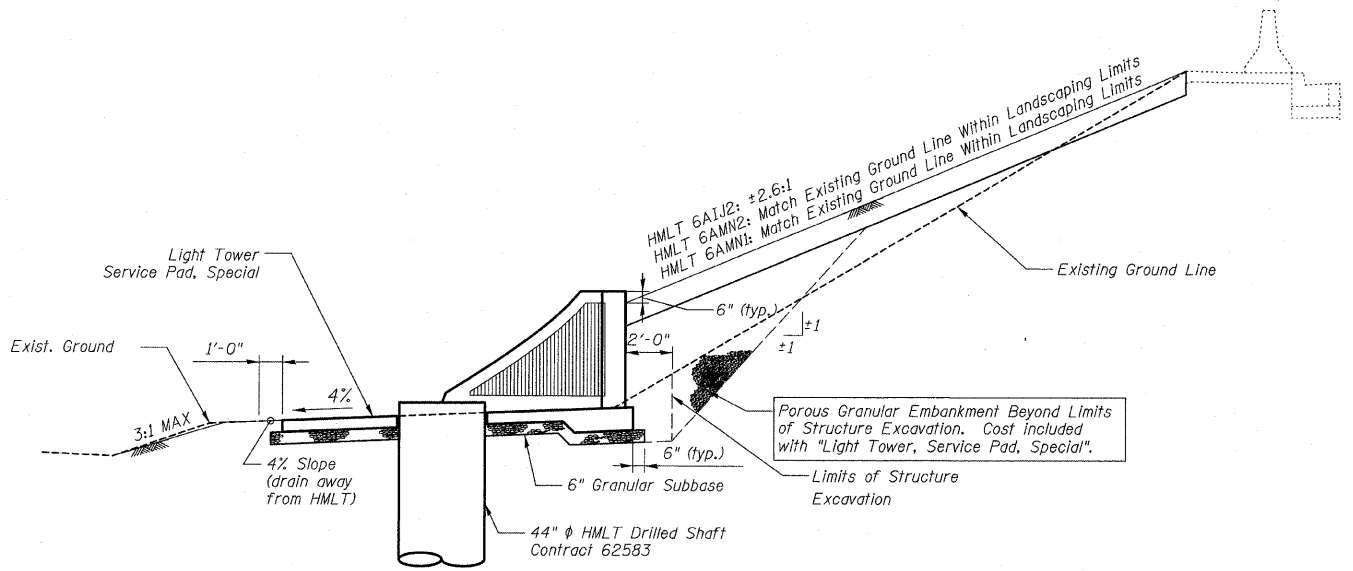
SECTION A-A



SECTION B-B

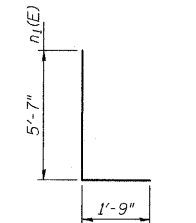


DETAIL C-C

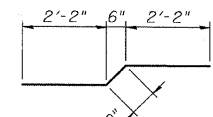


SECTION THRU EMBANKMENT

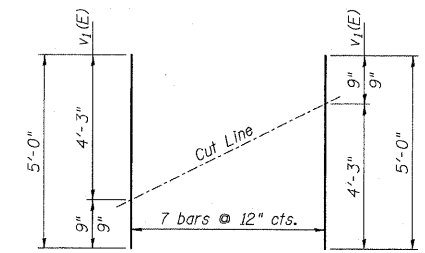
(At Typ. Tower Location)
HMLT not shown for clarity



BARS n₁(E)



BAR t₁(E)



Order v₁(E) bars full length and cut to fit as shown. Use remainder of bars as indicated on plans.

*** CUTTING DIAGRAM**

Bars v₁(E)

NOTES

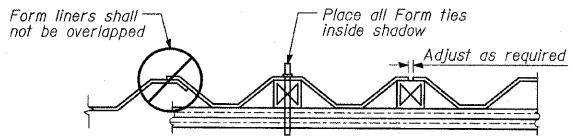
- F.F. and B.F. denote Front Face and Back Face, respectively.
- HMLT denotes High Mast Light Tower.
- See IDOT Standard Drawing BE501 for additional High Mast Light Tower foundation and ground well details.
- Reinforcement Bars designated (E) shall be epoxy coated.
- Refer to High Mast Light Tower Service Pad, Special & Retaining Wall Details 1 for location and orientation of conduit sleeves and grounding wells.
- Contractor shall maintain integrity of Frontage Roads as may be required in excavating for HMLT service pad walls.
- Provide Protective Coat to top, front face, exposed portion of back face, and ends of walls, and top and edges of pad.

TOTAL BILL OF MATERIAL

Item	Unit	Total
Light Tower, Service Pad, Special	Each	3

BILL OF MATERIAL
(Per HMLT)

Item	Unit	Total
Welded Wire Fabric	Sq. Yd.	18
Structure Excavation	Cu. Yd.	11
Concrete Structures	Cu. Yd.	7.2
Reinforcement Bars, Epoxy Coated	Pound	775
Rustication Finish	Sq. Ft.	55
Protective Coat	Sq. Yd.	29
Sub-Base Granular Material, Type B 6"	Sq. Yd.	22
Porous Granular Embankment	Cu. Yd.	48



SUGGESTED FORMWORK DETAIL

TYLIN INTERNATIONAL

REVISIONS	NAME	DATE

ILLINOIS DEPARTMENT OF TRANSPORTATION
F.A.I. 94 (DAN RYAN EXPRESSWAY)
HIGH MAST LIGHT TOWER SERVICE PAD,
SPECIAL & RETAINING WALL DETAILS 2

DESIGNED BY: MAF
DRAWN BY: MAF, TB
CHECKED BY: MI
SCALE: N.T.S.
DATE: JANUARY 16, 2009

1/15/2009 10:46:46 AM P:\02373\struatr\0260ms260r\sl0230_rmlr.dgn