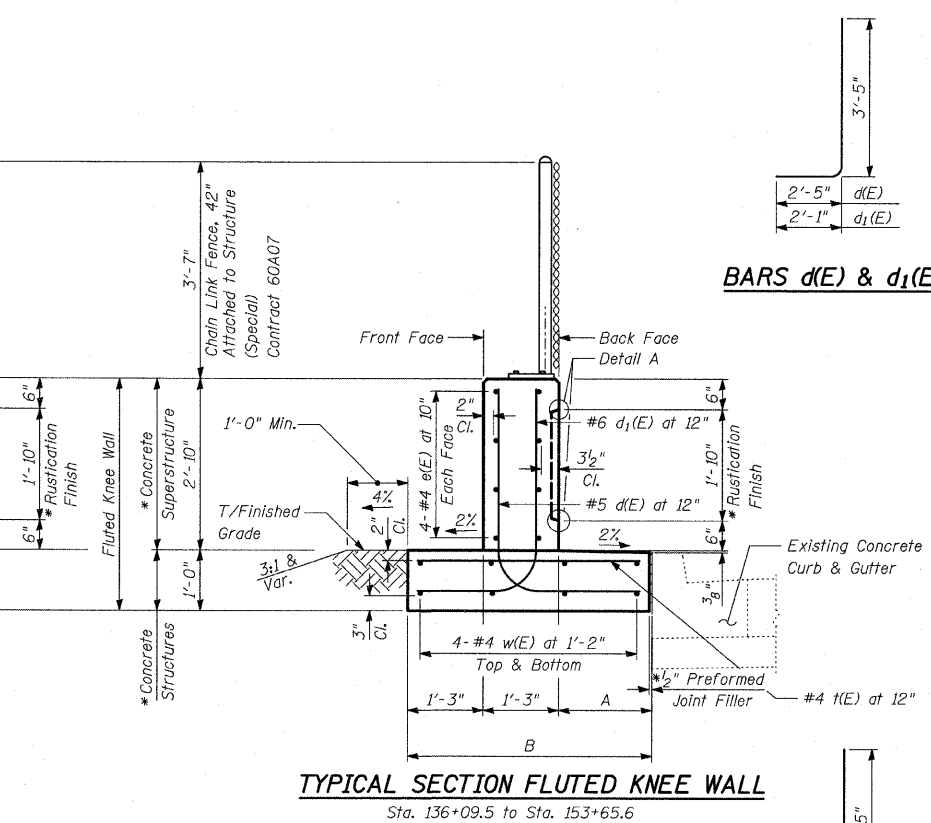


BACK FACE ELEVATION - FLUTED KNEE WALL AND CHAIN LINK FENCE



TYPICAL SECTION FLUTED KNEE WALL
Sta. 136+09.5 to Sta. 153+65.6

MARK TABLE

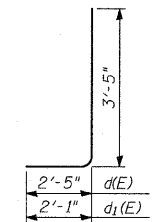
LOCATION	A	B
Sta. 146+09.5 to Sta. 153+65.6	From 0.3' to 2.0'	From 2.8' to 4.5'

- See Civil Plans for offsets at select locations

NOTES:

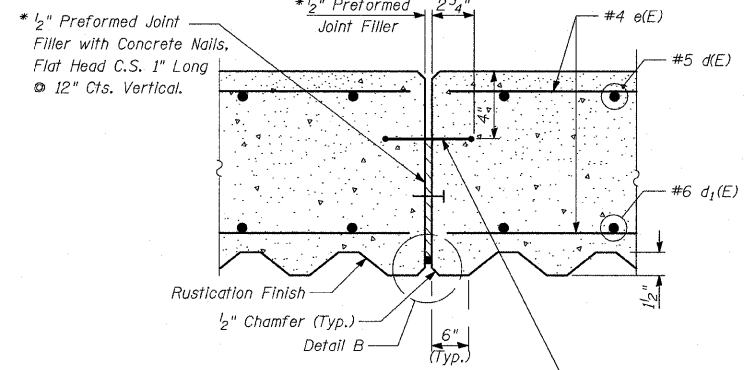
- Reinforcement Bar Shall Conform to the Requirements of AASHTO M-31 or M-322 Grade 60
- Concrete: $f'_c = 3500$ psi
- Fluted Knee Wall shall be paid for per foot as "Fluted Knee Wall." Included in the cost of "Fluted Knee Wall" shall be "Concrete Superstructures" stem, "Concrete Structures" foundation, reinforcement bars (epoxy coated), rustication finish, protective coat, expansion joint filler and sealing compound.
- At Locations Where Fluted Knee Wall Abuts a Rigid Structure, a 1/2" Thick Preformed Expansion Joint Filler Conforming to the Shape of the Structure Shall be Installed Between the Wall and the Structure. A 1/2" PJF Shall be Installed where Fluted Knee Wall footing abuts curb and gutter. The cost shall be included in "Fluted Knee Wall".
- Quantities shown in "BILL OF MATERIAL" are for one (1) Foot of "Fluted Knee Wall".
- Chain Link Fence, 42" Attached to Structure will not be paid for in this contract, but shall be furnished and installed by others in Contract 60A07.
- Protective Coat shall be applied according to Section 503.19 of the Standard Specifications to all concrete surfaces not in contact with soil for the typical section of the fluted knee wall. The cost shall be included in "Fluted Knee Wall"
- All concrete edges shall be chamfered 3/4" except as noted.
- All Expansion Joints shall be at Maximum spacing of 90' with construction joint at 30'.
- All construction joints shall be bonded.
- The top of the footing shall be broom finished.

BARS d(E) & d1(E)

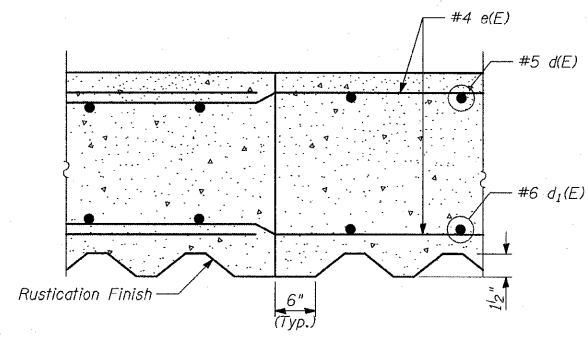


BAR d2(E)

** Adjust the length of the bar accordingly, Cut to fit in field.



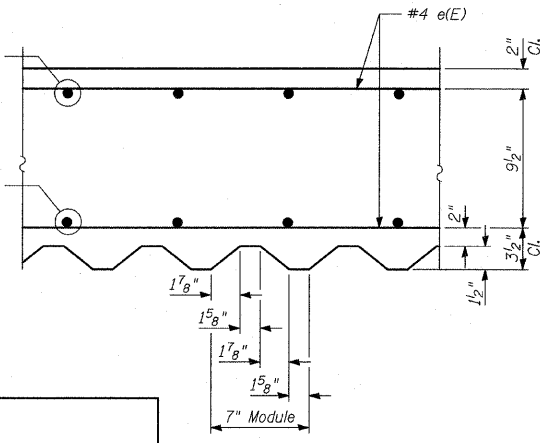
EXPANSION JOINT DETAILS



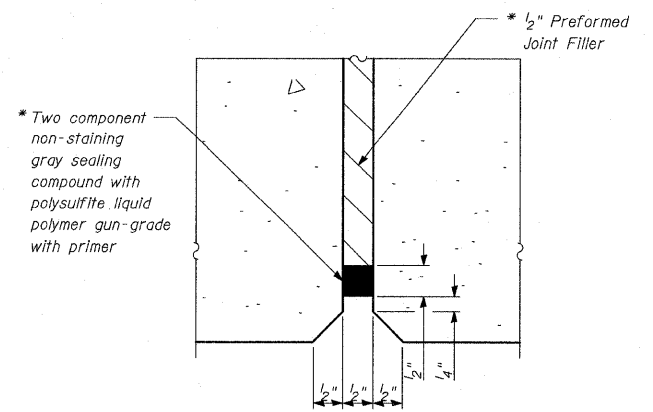
CONSTRUCTION JOINT DETAILS

LAP SPLICES

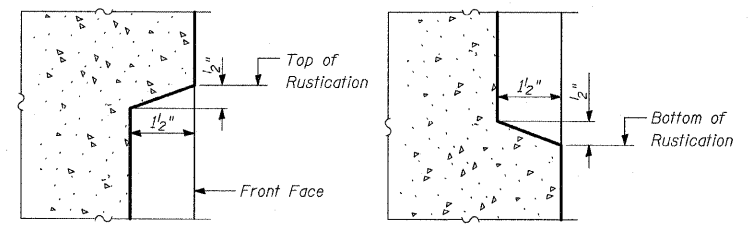
Bar	Lap
#4	1'-8"
#5	2'-2"
#6	2'-7"



SECTION A-A



DETAIL B



DETAIL A

BILL OF MATERIAL

QUANTITIES PER FOOT OF FLUTED KNEE WALL		
ITEM	UNIT	TOTAL
Concrete Structures	CU YD	0.15
Concrete Superstructure	CU YD	0.14
Protective Coat	SQ YD	1.08
Rustication Finish	SQ FT	1.84
Reinforcement Bars, Epoxy Coated	POUND	27.9

REVISIONS	
NAME	DATE

ILLINOIS DEPARTMENT OF TRANSPORTATION
F.A.I. 94 (DAN RYAN EXPRESSWAY)
FLUTED KNEE WALL ALONG LAFAYETTE AVE
N. WENTWORTH TO S. 95TH ST.
FLUTED KNEE WALL DETAILS

S.N. DESIGNED BY: MAF
SCALE: N.T.S. DRAWN BY: MAF, TB
DATE: JANUARY 16, 2009 CHECKED BY: MI