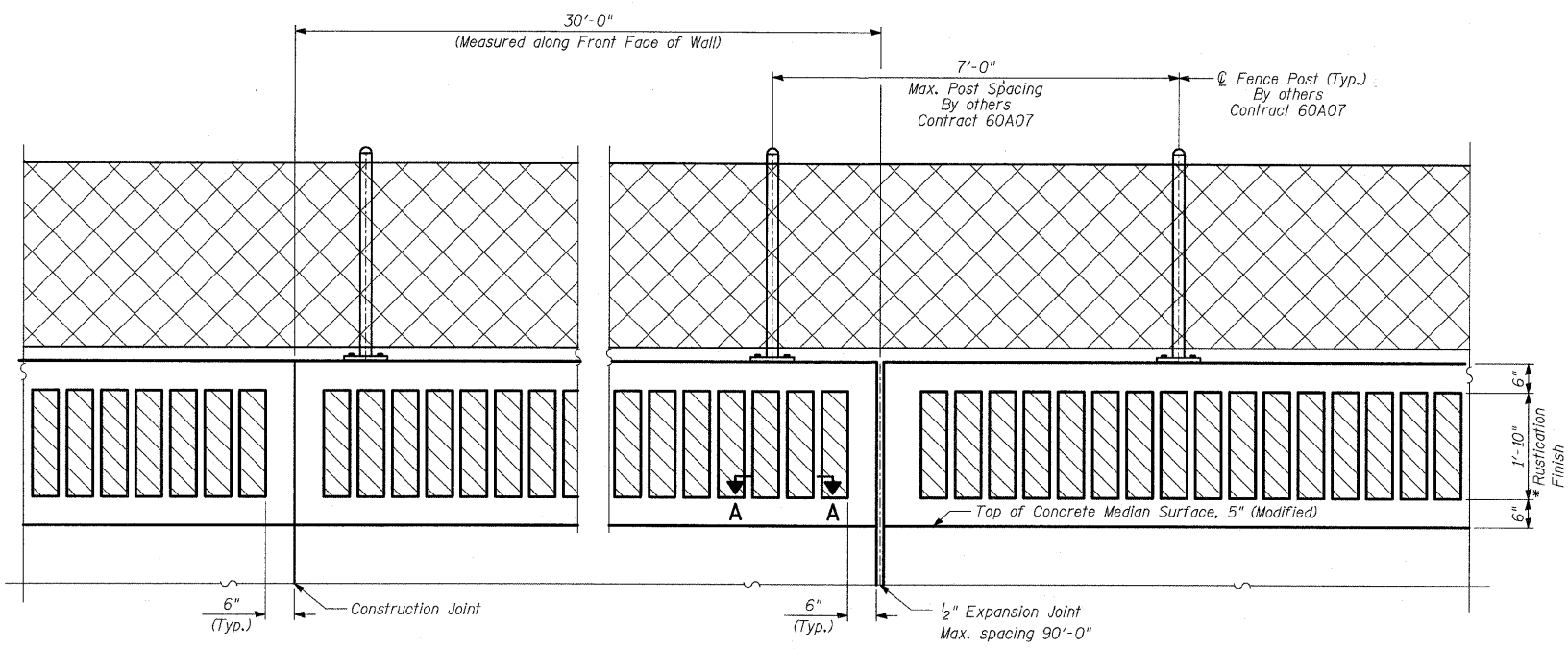
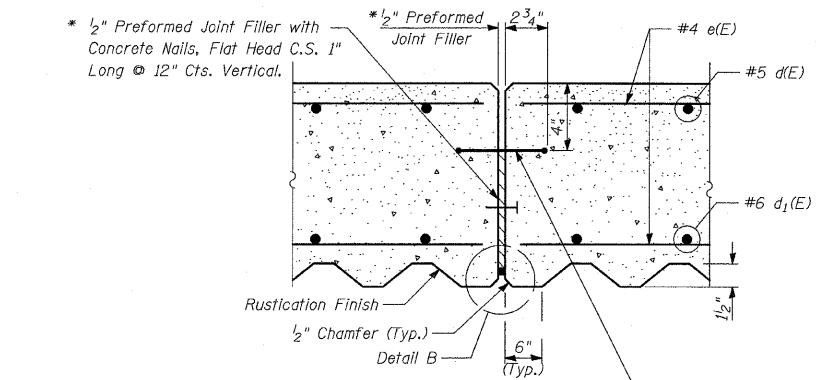


F.A.I. RTE.	SECTION	COUNTY	TOTAL SHEETS	SHEET NO.
94	1516.1 I-9	COOK	59	34
117+36.11 (SB I-57) TO STA. 154+00.94 (SB I-57)		STA. 218+95.72 (NB I-57) TO STA. 225+19.12 (NB I-57)		
FED. ROAD DIST. NO.		ILLINOIS	FED. AID PROJECT	

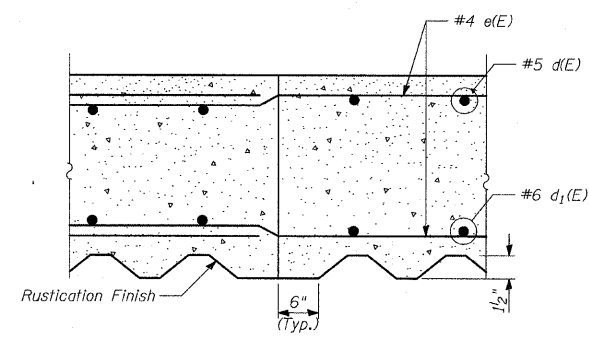
62977



BACK FACE ELEVATION - FLUTED KNEE WALL, SPECIAL AND CHAIN LINK FENCE



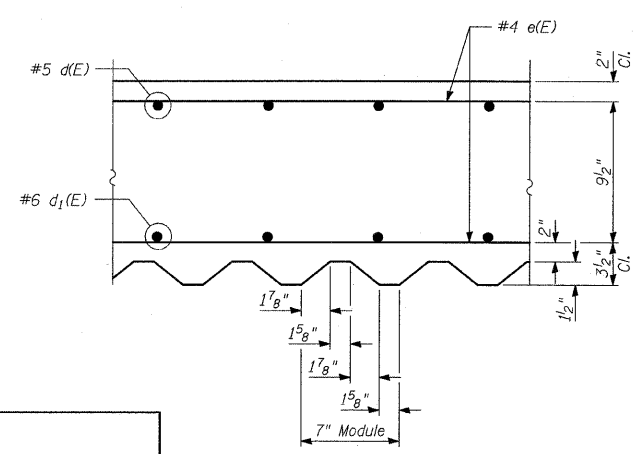
EXPANSION JOINT DETAILS



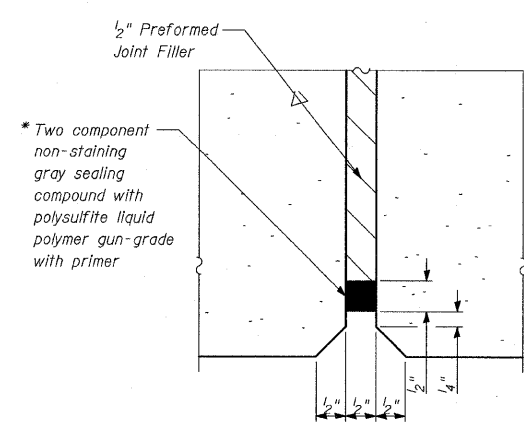
CONSTRUCTION JOINT DETAILS

LAP SPLICES

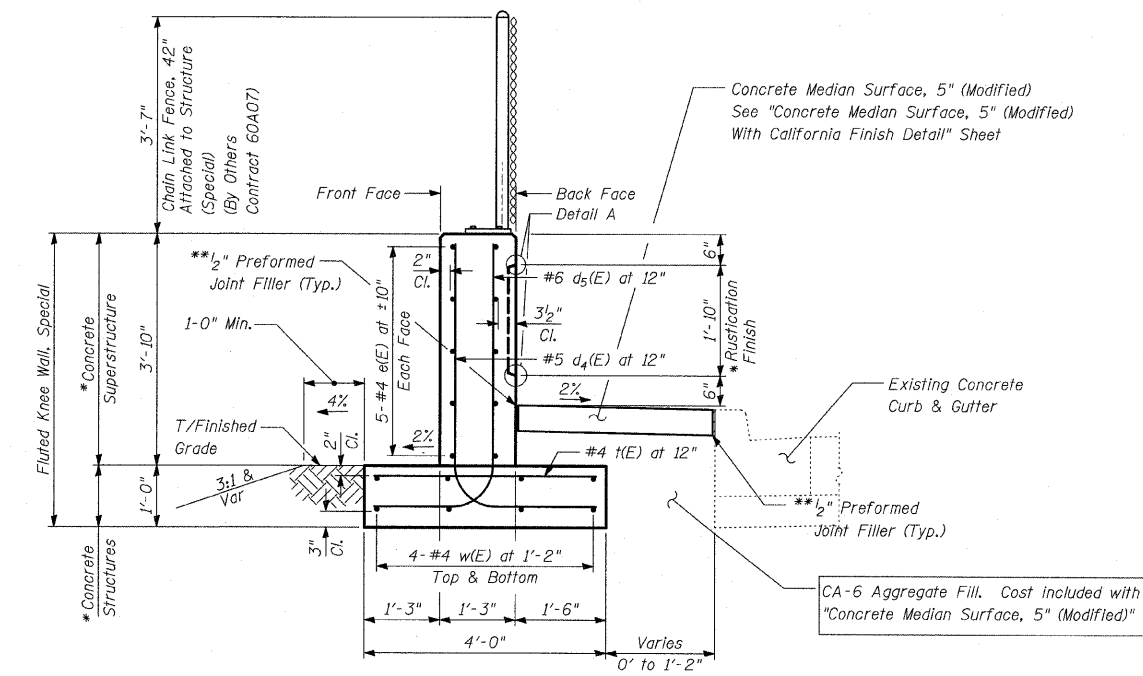
Bar	Lap
#4	1'-8"
#5	2'-2"
#6	2'-7"



SECTION A-A



DETAIL B



TYPICAL SECTION FLUTED KNEE WALL, SPECIAL

Sta. 153+65.6 to Sta. 154+00.9

BILL OF MATERIAL

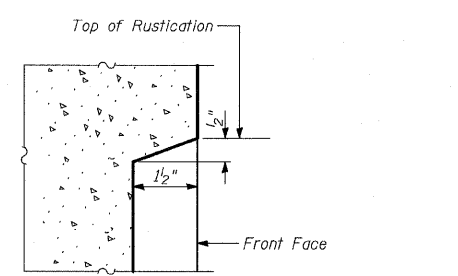
QUANTITIES PER FOOT OF FLUTED KNEE WALL, SPECIAL		
ITEM	UNIT	TOTAL
Concrete Structures	CU YD	0.15
Concrete Superstructure	CU YD	0.18
Protective Coat	SQ YD	1.01
Rustication Finish	SQ FT	1.84
Reinforcement Bars, Epoxy Coated	POUND	31.8

NOTES:

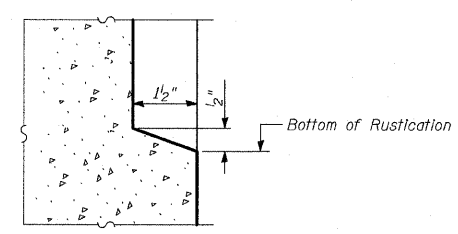
1. For notes, see "Fluted Knee Wall Standard Details" sheet.

* Cost included with "Fluted Knee Wall Special"

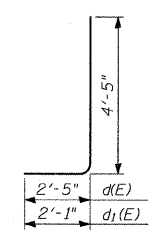
** Cost included with "Concrete Median Surface, 5" (Modified)"



DETAIL A



BARS d4(E) & d5(E)



REVISIONS	
NAME	DATE

ILLINOIS DEPARTMENT OF TRANSPORTATION
F.A.I. 94 (DAN RYAN EXPRESSWAY)
FLUTED KNEE WALL ALONG LAFAYETTE AVE
N. WENTWORTH TO S. 95TH ST.
FLUTED KNEE WALL, SPECIAL
STANDARD DETAILS

S.N. DESIGNED BY: MAF
SCALE: N.T.S. DRAWN BY: MAF
DATE: JANUARY 16, 2009 CHECKED BY: MAF

TYLIN INTERNATIONAL

P:\02373\structure\c260\vw260r\023a.dgn 10/15/2009 10:55:57 AM