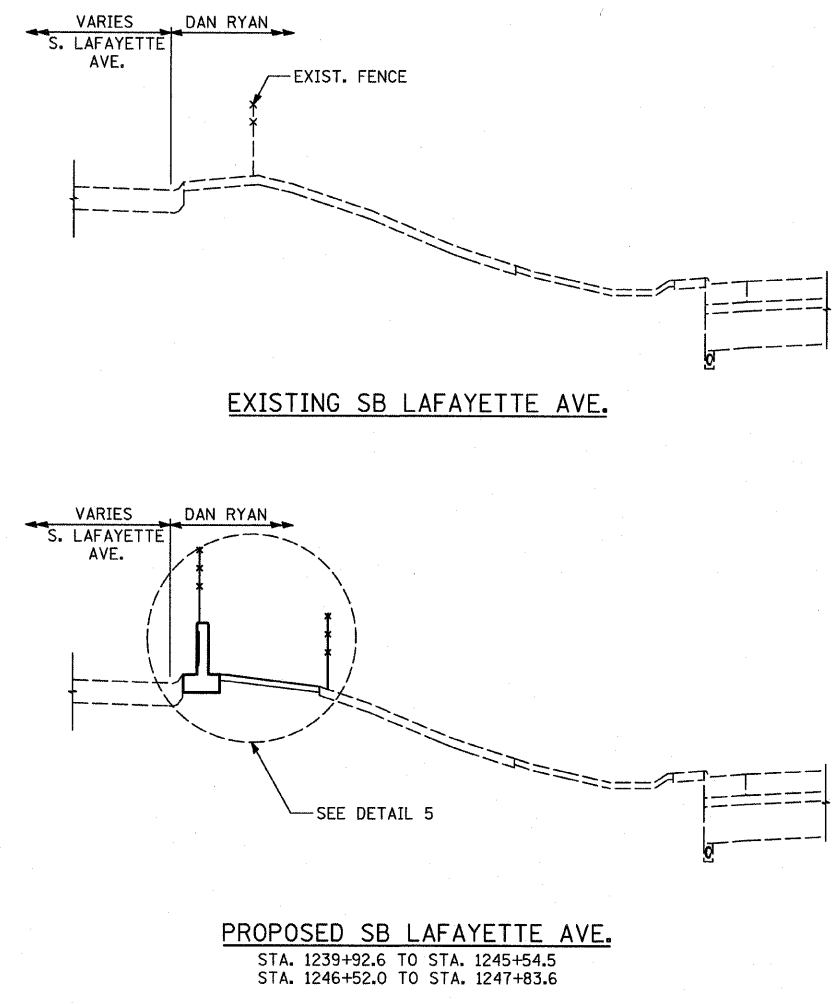
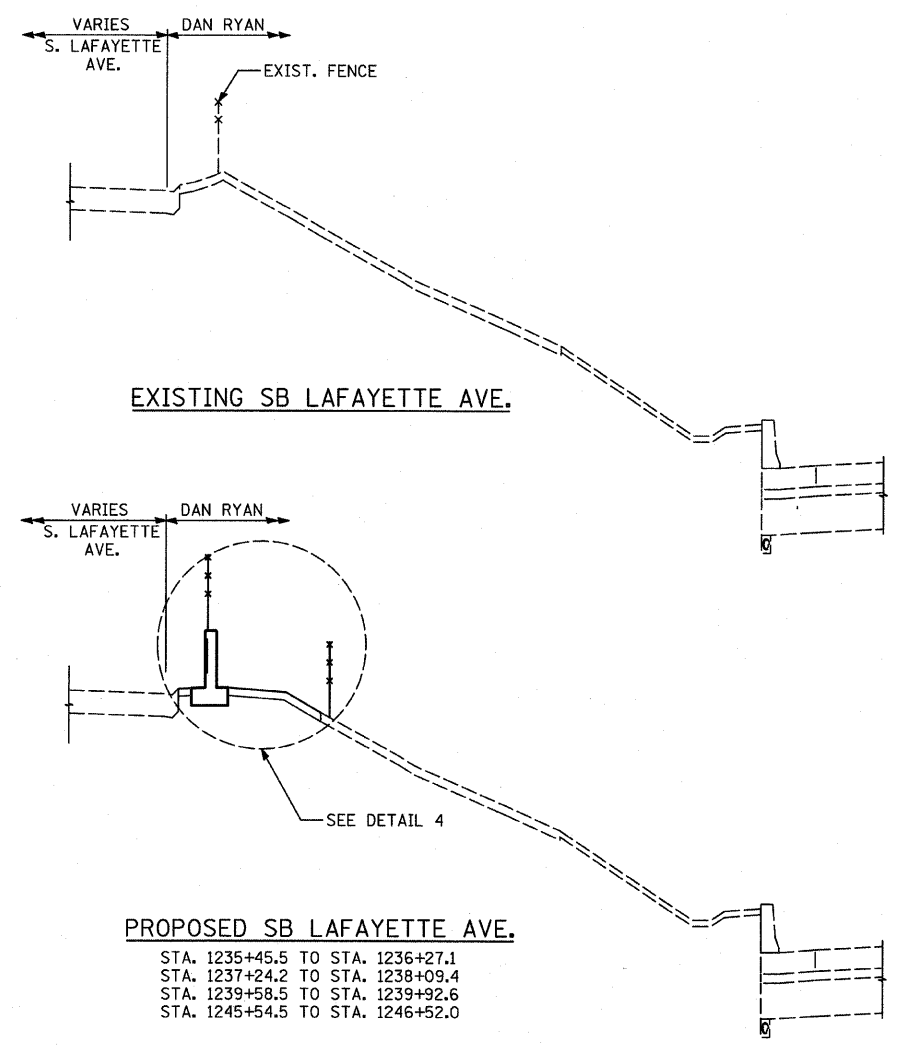
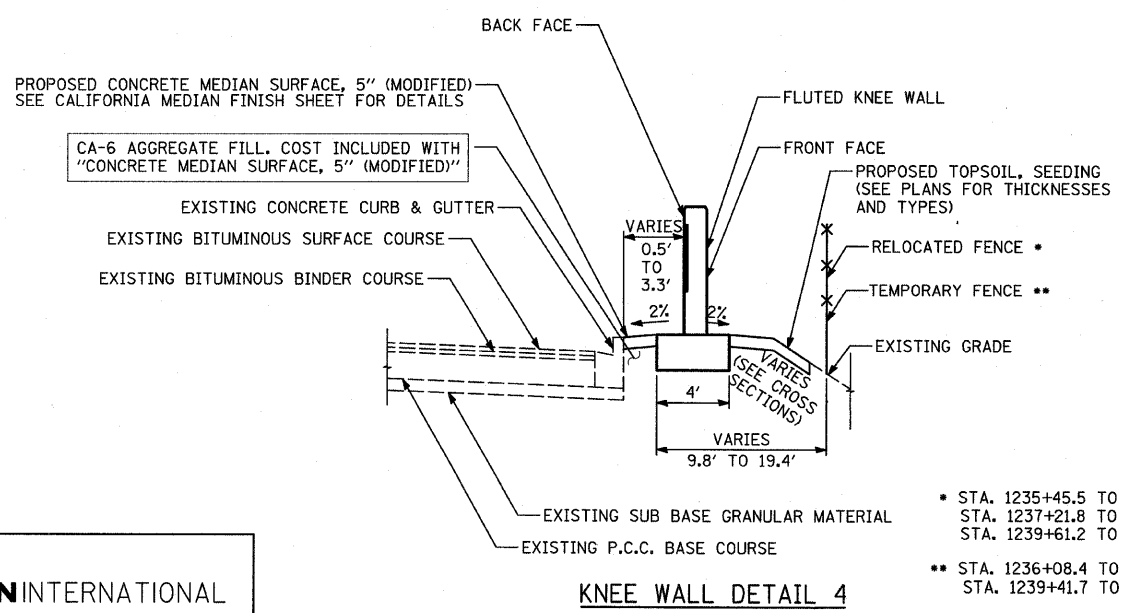


F.A.I. RTE.	SECTION	COUNTY	TOTAL SHEETS	SHEET NO.
94	*	COOK	44	5
STA. 1216+84.45		TO STA. 1248+12.50		
FED. ROAD DIST. NO.		ILLINOIS	FED. AID PROJECT	
*(1516.1 & 1717 I-10)		62978		



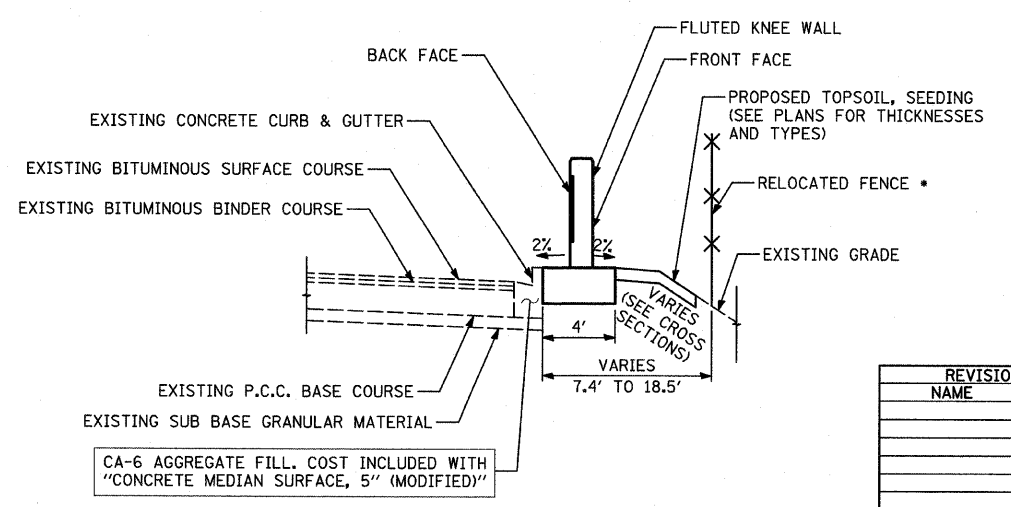
**PROPOSED SB LAFAYETTE AVE.**  
 STA. 1235+45.5 TO STA. 1236+27.1  
 STA. 1237+24.2 TO STA. 1238+09.4  
 STA. 1239+58.5 TO STA. 1239+92.6  
 STA. 1245+54.5 TO STA. 1246+52.0

**PROPOSED SB LAFAYETTE AVE.**  
 STA. 1239+92.6 TO STA. 1245+54.5  
 STA. 1246+52.0 TO STA. 1247+83.6



• STA. 1235+45.5 TO STA. 1236+08.4  
 STA. 1237+21.8 TO STA. 1238+09.4  
 STA. 1239+61.2 TO STA. 1239+92.6  
 \*\* STA. 1236+08.4 TO STA. 1236+27.2  
 STA. 1239+41.7 TO STA. 1239+61.2

**KNEE WALL DETAIL 4**



• STA. 1239+92.6 TO STA. 1241+00.0  
 STA. 1247+50.0 TO STA. 1247+83.6

**KNEE WALL DETAIL 5**

**TYLIN INTERNATIONAL**

REVISIONS	
NAME	DATE

ILLINOIS DEPARTMENT OF TRANSPORTATION  
**F.A.I. 94 (DAN RYAN EXPRESSWAY)**  
**EXISTING AND PROPOSED TYPICAL SECTIONS**  
**SB LAFAYETTE AVE.**  
**SHEET 2 OF 2**

SCALE: NONE  
 DATE: JANUARY 16, 2009

DRAWN BY: TB  
 CHECKED BY: TGB, MI

P:\02373V\000\2260\15260610\230.dgn 1/15/2009 11:49:26 AM