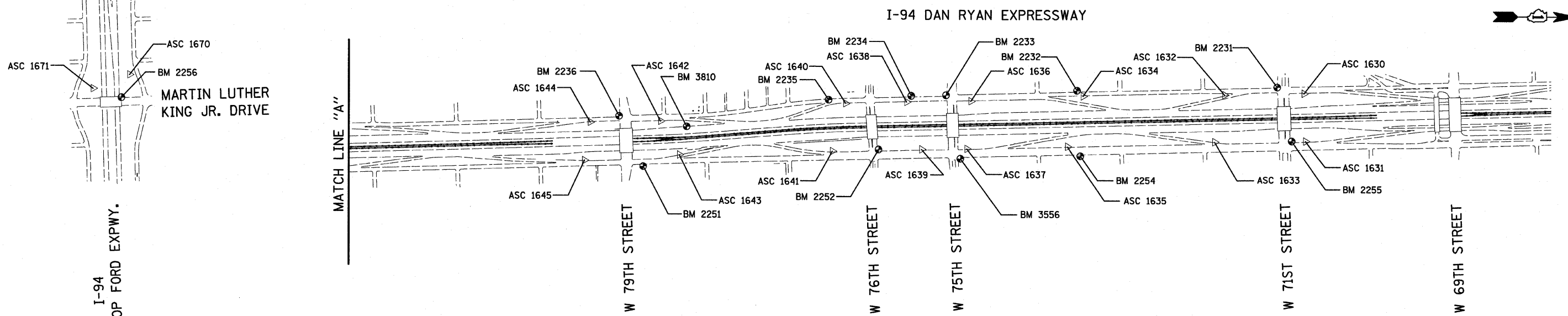
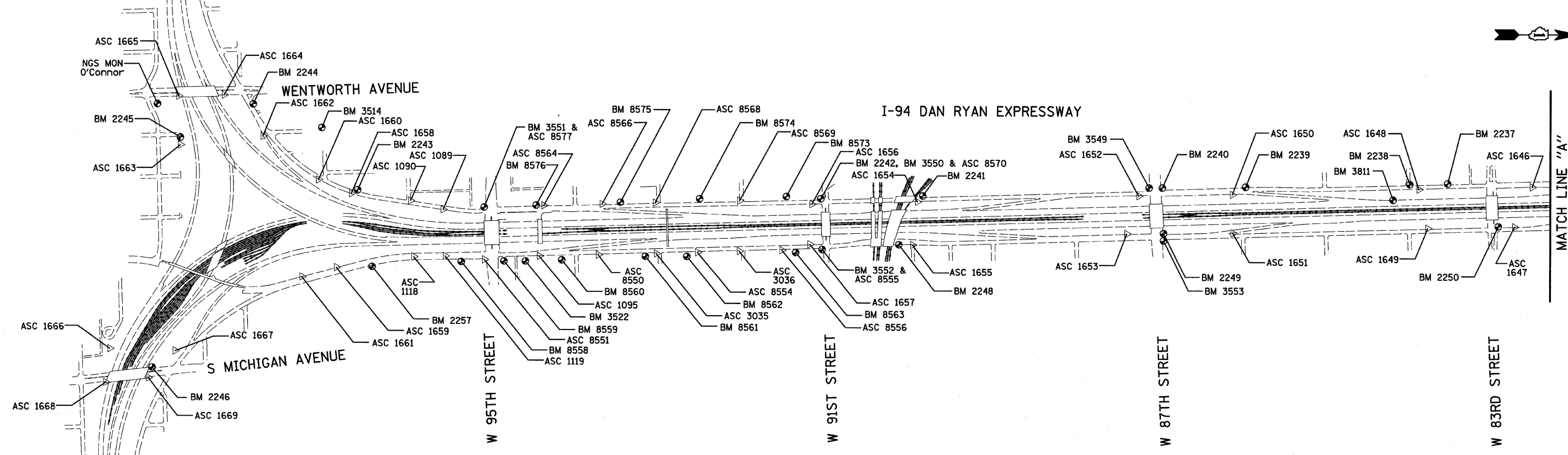


F.A.I. RTE.	SECTION	COUNTY	TOTAL SHEETS	SHEET NO.
94	•	COOK	44	10
STA. 1216+84.45		TO STA. 1248+12.50		
FED. ROAD DIST. NO.		ILLINOIS FED. AID PROJECT		
*1516.1 & 1717 I-10		62978		

I-57 EXPWY
SEE SHEET 2 OF 7
MATCH LINE "B"



REVISIONS	
NAME	DATE

ILLINOIS DEPARTMENT OF TRANSPORTATION
F.A.I. 94 (DAN RYAN EXPRESSWAY)
SURVEY TIES FOR CONTROL POINTS
SHEET 1 OF 7
SCALE: 1"=400'
DATE: JANUARY 16, 2009
DRAWN BY: GSP
CHECKED BY: MMW

1/15/2009 11:40:29 AM