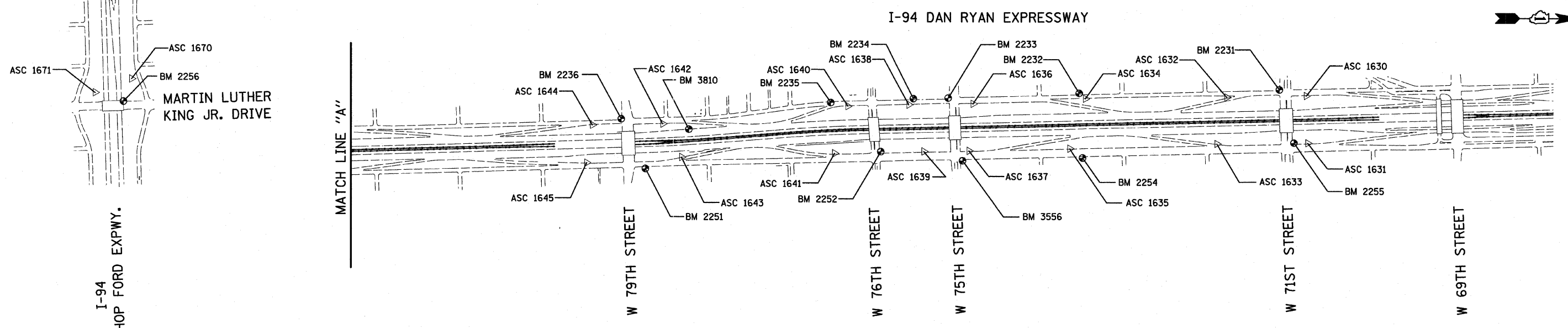
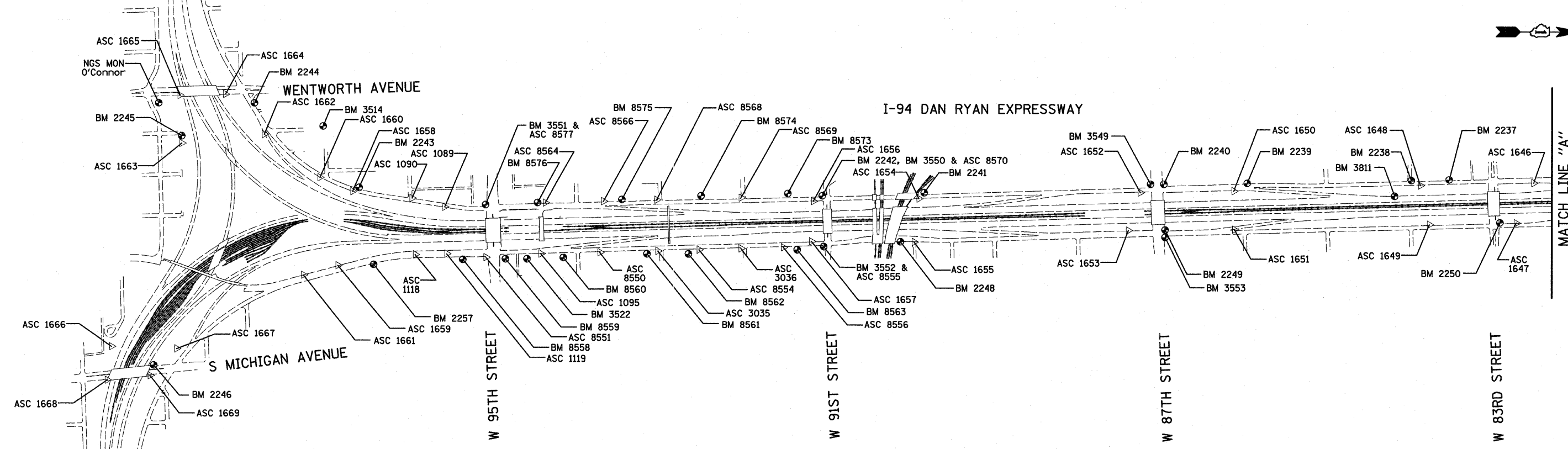


F.A.I. RTE.	SECTION	COUNTY	TOTAL SHEETS	SHEET NO.
94	1818 I-10	COOK	44	9
STA. 1346+92.86		TO STA. 1364+78.90		
FED. ROAD DIST. NO.		ILLINOIS FED. AID PROJECT		

62982

I-57 EXPWY
SEE SHEET 2 OF 7
MATCH LINE "B"



American Surveying Consultants, P.C.
1837 Plaza Dr., Suite 100, Skokie, IL 60077
 847-470-4400
 1837 Plaza Dr., Suite 100, Skokie, IL 60077
 847-470-4400

REVISIONS	
NAME	DATE

ILLINOIS DEPARTMENT OF TRANSPORTATION
 F.A.I. 94 (DAN RYAN EXPRESSWAY)
 SURVEY TIES FOR CONTROL POINTS
 SHEET 1 OF 7

SCALE: 1"=400'
 DATE: FEBRUARY 13, 2009

DRAWN BY: GSP
 CHECKED BY: MMW

3/19/2009 3:52:06 PM