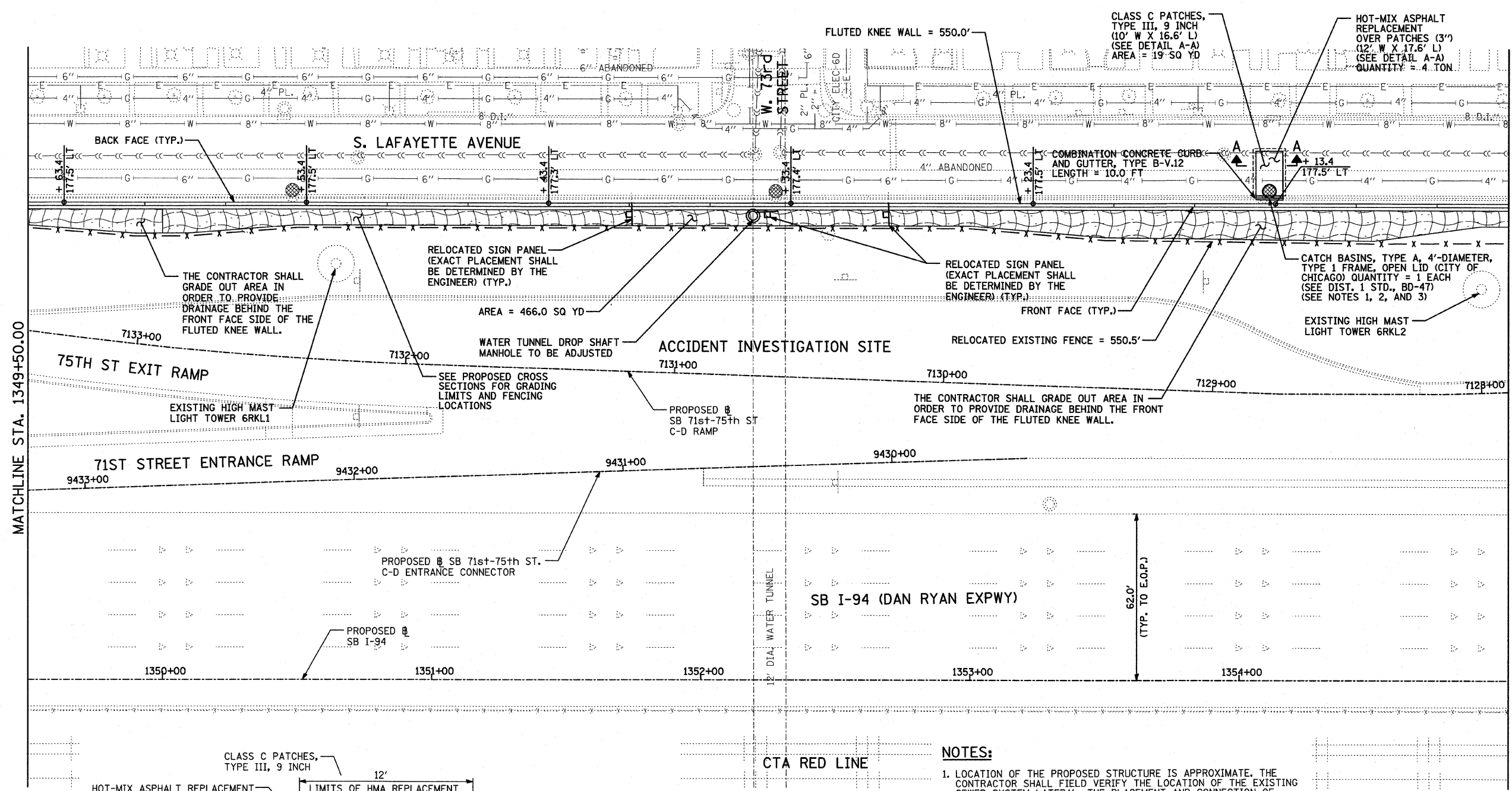
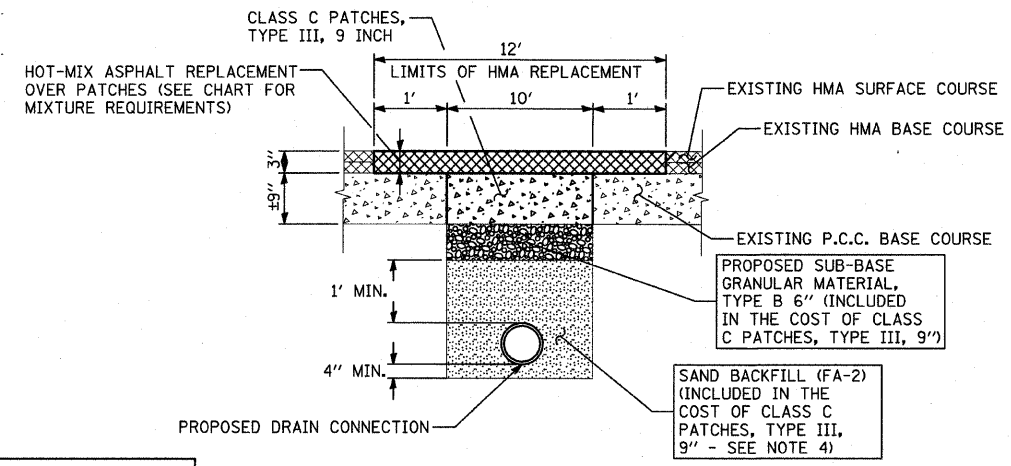
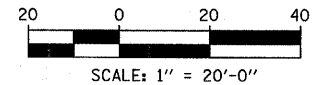
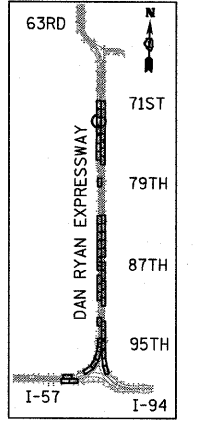


F.A.I. RTE.	SECTION	COUNTY	TOTAL SHEETS	SHEET NO.
94	1818 I-10	COOK	44	19
STA. 1346+92.86		TO STA. 1364+78.90		
FED. ROAD DIST. NO.	ILLINOIS	FED. AID PROJECT		62982



- LEGEND:**
- EROSION CONTROL BLANKET, SEEDING, CLASS 2A, NITROGEN, PHOSPHORUS, AND POTASSIUM FERTILIZER NUTRIENTS, TOPSOIL FURNISH AND PLACE, 4"
 - EROSION CONTROL BLANKET, SEEDING, CLASS 2A, NITROGEN, PHOSPHORUS, AND POTASSIUM FERTILIZER NUTRIENTS, TOPSOIL FURNISH AND PLACE, 12"
 - INLET FILTER
 - CONSTRUCTION JOINT AT FLUTED KNEE WALL BEND
 - EXPANSION JOINT



A-A - HMA REPLACEMENT OVER PATCHES AND CLASS C PATCHES, TYPE III, 9"
N.T.S.

- NOTES:**
- LOCATION OF THE PROPOSED STRUCTURE IS APPROXIMATE. THE CONTRACTOR SHALL FIELD VERIFY THE LOCATION OF THE EXISTING SEWER SYSTEM LATERAL. THE PLACEMENT AND CONNECTION OF THE PROPOSED STRUCTURE SHALL BE IN LINE WITH THAT OF THE EXISTING LATERAL. THE LAYOUT SHALL BE APPROVED BY THE ENGINEER PRIOR TO PLACEMENT OF THE CATCH BASIN.
 - ALL EXISTING CATCH BASINS ALONG THE FRONTAGE ROAD THAT ARE BEING REMOVED AND REPLACED SHALL CONNECT TO EXISTING CDWM SEWER LATERALS WITH THE SAME PIPE MATERIALS AND SIZE AS THE EXISTING LATERALS. THIS WORK SHALL BE PAID FOR PER FOOT AS "DRAIN CONNECTIONS".
 - A QUANTITY OF 12 FOOT OF "DRAIN CONNECTIONS" HAS BEEN PROVIDED FOR EACH CATCH BASIN IN ORDER TO CONNECT THE PROPOSED STRUCTURE TO THE EXISTING SEWER SYSTEM LATERAL. ALL CONNECTION COSTS SHALL BE INCLUDED IN THE COST OF "DRAIN CONNECTIONS".
 - "DRAIN CONNECTIONS" BEDDING SHALL BE TAMPED IN PLACE WITH A MINIMUM OF 4" UNDER THE PIPE AND 1'-0" ABOVE TOP OF PIPE. THE BEDDING SHALL BE WELL SPADED ON BOTH SIDES OF PIPE.
 - STATION AND OFFSET CALLOUTS ALONG THE LENGTH OF EITHER FLUTED KNEE WALL OR FLUTED KNEE WALL. SPECIAL ARE TAKEN FROM THE BACK FACE SIDE AT PROPOSED EXPANSION JOINT LOCATIONS.
 - THE CONTRACTOR SHALL PROTECT AND USE CAUTION DURING CONSTRUCTION OPERATIONS AROUND ALL EXISTING PUBLIC OR PRIVATE UTILITY FACILITIES.

REVISIONS	
NAME	DATE

ILLINOIS DEPARTMENT OF TRANSPORTATION
F.A.I. 94 (DAN RYAN EXPRESSWAY)
PROPOSED PLAN
SB I-94 (DAN RYAN EXPRESSWAY)
STA. 1349+50.00 TO 1355+00.00

SCALE: 1"=20'
DATE: FEBRUARY 13, 2009
DRAWN BY: AMB, MAF
CHECKED BY: TGB, MI

TYLIN INTERNATIONAL