

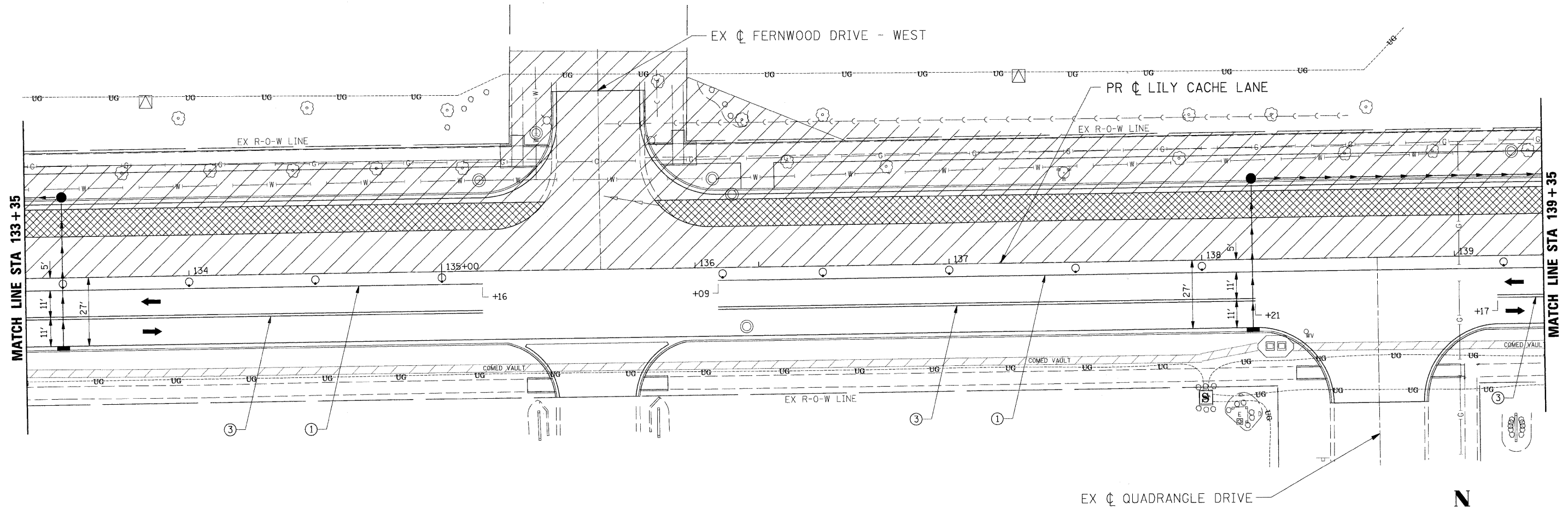
F.A.U. RTE.	SECTION	COUNTY	TOTAL SHEETS	SHEET NO.
1578	*	WILL	155	75

STA. 133+35	TO STA. 139+35
FED. ROAD DIST. NO.	ILLINOIS FED. AID PROJECT

* 06-00046-00-PV

NOTES:

- SEE "REMOVAL AND ADJUSTMENT PLANS" FOR REMOVAL OF EXISTING ITEMS.
- CONTRACTOR SHALL MAINTAIN ACCESS TO ALL SIDE ROADS AND ENTRANCES AT ALL TIMES.
- THE CONTRACTOR SHALL APPLY TYPE III PAVEMENT MARKING TAPE AS DIRECTED BY THE ENGINEER. THIS ITEM SHALL BE INCLUDED IN THE COST OF TEMPORARY PAVEMENT MARKINGS.



LEGEND

- ➔ DIRECTION OF TRAFFIC
- CONE, DRUM, OR BARRICADE
- TT TYPE III BARRICADE
- ➔ TEMPORARY STAGE DRAINAGE FLOW
- ▨ STAGE CONSTRUCTION LIMITS
- ▨ TEMPORARY PAVEMENT
- ▨ TEMPORARY PAVEMENT REMOVAL
- ① TEMP. PAINT PAVEMENT MARKING - LINE 4" (WHITE)
- ② TEMP. PAINT PAVEMENT MARKING - LINE 4" (YELLOW)
- ③ TEMP. PAINT PAVEMENT MARKING - LINE 4" (DOUBLE YELLOW)
- ④ TEMP. PAINT PAVEMENT MARKING - LINE 6" (WHITE)
- ⑤ TEMP. PAINT PAVEMENT MARKING - LINE 12" (YELLOW)
- ⑥ TEMP. PAINT PAVEMENT MARKING - LINE 24" (WHITE)
- ⑦ TEMP. PAINT PAVEMENT MARKING - LETTERS & SYMBOLS

REVISIONS	
NAME	DATE

ILLINOIS DEPARTMENT OF TRANSPORTATION
MAINTENANCE OF TRAFFIC
STAGE 4
STA 133+35 TO STA 139+35
 SCALE: 1" = 20'
 DATE: APRIL 9, 2009
 DRAWN BY: JEB
 CHECKED BY: CMS

PLOT DATE = #DAYS#
 FILE NAME = #FILE#
 PLOT SCALE = #SCALE#
 USER NAME = #USER#

#FILES#