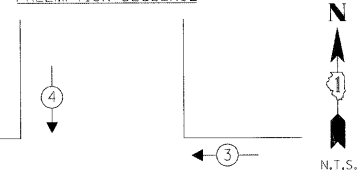


F.A.U. RTE.	SECTION	COUNTY	TOTAL SHEETS	SHEET NO.
157B	*	WILL	155	122
STA.		TO STA.		
F.I.D. ROAD DIST. NO.		ILLINOIS FED. AID PROJECT		

* 06-00046-00-PF

EMERGENCY VEHICLE PREEMPTION SEQUENCE



PROPOSED EMERGENCY VEHICLE PREEMPTORS

EMERGENCY VEHICLE PREEMPTOR	3	4	5
MOVEMENT	←	↑	→

PROPOSED EMERGENCY VEHICLE PREEMPTION SEQUENCE



THE END OF THE TRACER CABLE SHALL BE CONTINUOUS AND EXTEND INTO THE CONTROLLER CABINET. (FUTURE)

INTERCONNECT TO LILY CACHE LANE AT IL RTE 53 (FUTURE)
NO. 62.5/125, MM12F, SM12F FIBER OPTIC CABLE (FUTURE)

TRACER CABLE (FUTURE)

ICE CREAM DRIVE

TRAFFIC SIGNAL BILL OF MATERIALS

PAY ITEM NO.	ITEM	UNIT	TOTAL
81000700	CONDUIT IN TRENCH, 2 1/2" DIA., GALVANIZED STEEL	FOOT	36
81000800	CONDUIT IN TRENCH, 3" DIA., GALVANIZED STEEL	FOOT	47
81018900	CONDUIT PUSHED, 4" DIA., GALVANIZED STEEL	FOOT	80
81400700	HANDHOLE, PORTLAND CEMENT CONCRETE	EACH	1
81702415	ELECTRIC CABLE IN CONDUIT, 600V (XLP-TYPE USE) 3-1C NO. 6	FOOT	593
81900200	TRENCH AND BACKFILL FOR ELECTRICAL WORK	FOOT	62
82102250	LUMINAIRE, SODIUM VAPOR, HORIZONTAL MOUNT, 250 WATT	EACH	3
85000200	MAINTENANCE OF EXISTING TRAFFIC SIGNAL INSTALLATION	EACH	1
87301215	ELECTRIC CABLE IN CONDUIT, SIGNAL NO. 14 2C	FOOT	747
87301225	ELECTRIC CABLE IN CONDUIT, SIGNAL NO. 14 3C	FOOT	1,845
87301245	ELECTRIC CABLE IN CONDUIT, SIGNAL NO. 14 5C	FOOT	1,310
87301255	ELECTRIC CABLE IN CONDUIT, SIGNAL NO. 14 7C	FOOT	1,125
87502500	TRAFFIC SIGNAL POST, GALVANIZED STEEL 16 FT.	EACH	3
87702850	STEEL COMBINATION MAST ARM ASSEMBLY AND POLE 24 FT.	EACH	1
87702910	STEEL COMBINATION MAST ARM ASSEMBLY AND POLE 36 FT.	EACH	1
87702950	STEEL COMBINATION MAST ARM ASSEMBLY AND POLE 40 FT.	EACH	1
87800100	CONCRETE FOUNDATION, TYPE A	FOOT	12
87800415	CONCRETE FOUNDATION, TYPE E 36-INCH DIAMETER	FOOT	45
87900200	DRILL EXISTING HANDHOLE	EACH	3
88040070	SIGNAL HEAD, POLYCARBONATE, LED, 1-FACE, 3-SECTION, BRACKET MOUNTED	EACH	3
88040090	SIGNAL HEAD, POLYCARBONATE, LED, 1-FACE, 3-SECTION, MAST ARM MOUNTED	EACH	4
88040180	SIGNAL HEAD, POLYCARBONATE, LED, 1-FACE, 5-SECTION, BRACKET MOUNTED	EACH	3
88040160	SIGNAL HEAD, POLYCARBONATE, LED, 1-FACE, 5-SECTION, MAST ARM MOUNTED	EACH	3
88102820	PEDESTRIAN SIGNAL HEAD, POLYCARBONATE, LED 1-FACE, 2-SECTION BRACKET MOUNTED	EACH	4
88200100	TRAFFIC SIGNAL BACKPLATE	EACH	7
88800100	PEDESTRIAN PUSH-BUTTON	EACH	4
89000100	TEMPORARY TRAFFIC SIGNAL INSTALLATION	EACH	1
89500300	RELOCATE EXISTING ILLUMINATED SIGN	EACH	3
89501400	RELOCATE EXISTING EMERGENCY VEHICLE PRIORITY SYSTEM, DETECTOR UNIT	EACH	4
89502200	MODIFY EXISTING CONTROLLER	EACH	1
89502375	REMOVE EXISTING TRAFFIC SIGNAL EQUIPMENT	EACH	1
89502380	REMOVE EXISTING HANDHOLE	EACH	1
89502385	REMOVE EXISTING CONCRETE FOUNDATION	EACH	5
X9730027	ELECTRIC CABLE IN CONDUIT, GROUNDINGS, NO. 6 1C	FOOT	519
XX003552	VIDEO DETECTION SYSTEM	EACH	1
XX003561	ELECTRIC CABLE IN CONDUIT, COAXIAL	FOOT	122
XX005660	ELECTRIC CABLE IN CONDUIT, NO. 20 3/C TWISTED SHIELD	FOOT	541

NOTES

- CABLE AND CONDUIT TO REMAIN HAS NOT BEEN CALCULATED. CALCULATED AMOUNTS OF CABLE AND CONDUIT ARE FOR NEW AND RELOCATED TRAFFIC SIGNAL ITEMS. QUANTITIES ARE INCLUDED FOR REFERENCE ONLY AND MUST BE VERIFIED BY THE CONTRACTOR. EXISTING ITEMS ARE BASED ON THE BEST AVAILABLE INFORMATION. THE CONTRACTOR IS RESPONSIBLE FOR VERIFYING THAT ANY ITEMS TO BE RE-USED OR RE-LOCATED EXIST AND ARE IN AN OPERABLE CONDITION.
- SEE BELOW TABLE FOR PROPOSED ITEMS NEEDED FOR THE VIDEO DETECTION SYSTEM.

AUTOSCOPE VIDEO DETECTION SYSTEM BILL OF MATERIALS

ITEM	UNIT	QUANTITY
MACHINE VISION PROCESSOR	EACH	1
AUTOSCOPE IMAGE SENSOR	EACH	4
VIDEO ELECTRIC CABLE IN CONDUIT, NO. 16 3/C	FOOT	834
VIDEO BELDEN 8281 COAXIAL CABLE IN CONDUIT	FOOT	834

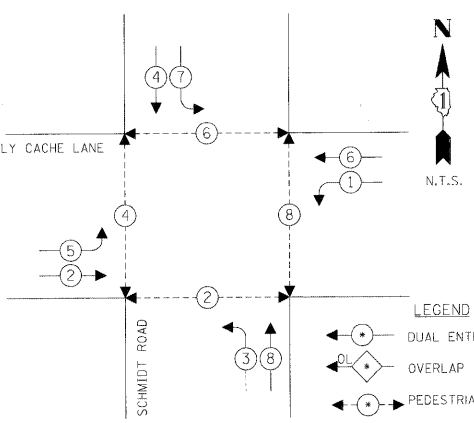
REVISIONS	
NAME	DATE

ILLINOIS DEPARTMENT OF TRANSPORTATION
TRAFFIC SIGNAL CABLE PLAN
LILY CACHE LANE AT SCHMIDT ROAD
SCALE: N.T.S.
DATE: 03/31/2009
DRAWN BY: NMR
CHECKED BY: DJL

CABLE PLAN LEGEND

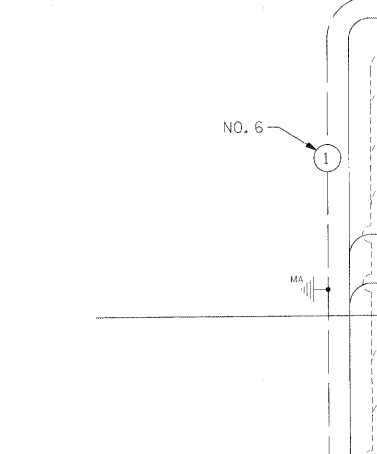
- | | | |
|-----------------|-----------------|--|
| EXISTING | PROPOSED | |
| | | 8" TRAFFIC SIGNAL SECTION |
| | | 12" TRAFFIC SIGNAL SECTION |
| | | 12" PEDESTRIAN SIGNAL SECTION |
| | | 12" PEDESTRIAN SIGNAL SECTION |
| | | CONTROLLER CABINET |
| | | SERVICE INSTALLATION |
| | | TELEPHONE INSTALLATION |
| | | VEHICLE DETECTOR, INDUCTION LOOP |
| | | VIDEO DETECTION |
| | | EMERGENCY VEHICLE LIGHT DETECTOR |
| | | CONFIRMATION BEACON |
| | | PUSHBUTTON DETECTOR |
| | | DENOTES NUMBER OF CONDUCTORS.
ALL CABLE NO. 14 EXCEPT AS INDICATED.
ALL LOOP DETECTOR CABLE TO BE SHIELDED |
| | | GROUND CABLE IN CONDUIT
NO. 6 SOLID COPPER (GREEN) |
| | | COAXIAL CABLE |
| | | FIBER OPTIC CABLE IN CONDUIT
NO. 62.5/125 12F |
| | | SIGNAL FACE WITH BACKPLATE.
"P" INDICATES PROGRAMMED HEAD |
| | | GROUND ROD AT HANDHOLE (H)
DOUBLE HANDHOLE (HH) OR CONTROLLER (C) |
| | | GROUND ROD AT POST (P)
OR MAST ARM POLE (MA) |
| | | GROUND ROD AT ELECTRIC
SERVICE INSTALLATION |
| | | LUMINAIRE, 250 WATT |
| | | ILLUMINATED STREET SIGN |

CONTROLLER SEQUENCE



LEGEND
 DUAL ENTRY PHASE
 OVERLAP
 PEDESTRIAN PHASE
 NUMBER REFERS TO ASSOCIATED PHASE

PHASE DESIGNATION DIAGRAM



LILY CACHE LANE

EXISTING SERVICE INSTALLATION

TYPE	NO. LAMPS	WATTAGE INCAND.	LED	% OPERATION	TOTAL WATTAGE
SIGNAL (RED)	16	135	17	0.50	136.0
(YELLOW)	16	135	25	0.25	100.0
(GREEN)	16	135	15	0.25	60.0
ARROW	12	135	12	0.10	14.4
PED. SIGNAL					
CONTROLLER	1	100	100	1.00	100.0
ILLUM. SIGN	4		88	0.50	176.0
VIDEO CAMERA	4	15		1.00	60.0
LUMINAIRE	4	250		0.50	500.0
FLASHER					
TOTAL=					1,466.4

FOUNDATION (DEPTH)	FT. (m)	CABLE SLACK	FT. (m)	VERTICAL	FT. (m)
TYPE A - POST	4 (1.2)	HANDHOLE	6.5 (2.0)	ALL FOUNDATIONS	3.5 (1.0)
D - CONTROLLER	4 (1.2)	DOUBLE HANDHOLE	3 (4.0)	MAST ARM (L) POLE	20' +/- 2 (6m +/- 0.6m)
E - M. ARM POLE		SIGNAL POST	2 (1.0)		
24" (600mm)	10 (3.0)	CONTROLLER CAB.	1 (0.5)	BRACKET MOUNTED	13 (4.0)
30" (750mm)	15 (4.6)	FIBER OPTIC	15 (4.0)	PED. BUTTON	4 (1.2)
36" (900mm)	15 (4.6)	ELECTRIC SERVICE	1 (0.5)	ELECTRICAL SERVICE	13.5 (4.1)
		GROUND CABLE	1 (0.5)	SERVICE TO GROUND	13.5 (4.1)
				POST MOUNTED	6 (1.8)

CABLE PLAN



PLOT DATE = 4/9/2009
 FILE NAME = m:\v\comp\louis\1025\cable\lily\lily-ables\1025_Schmidt_L15_04.dgn
 USER NAME = RUSSELL