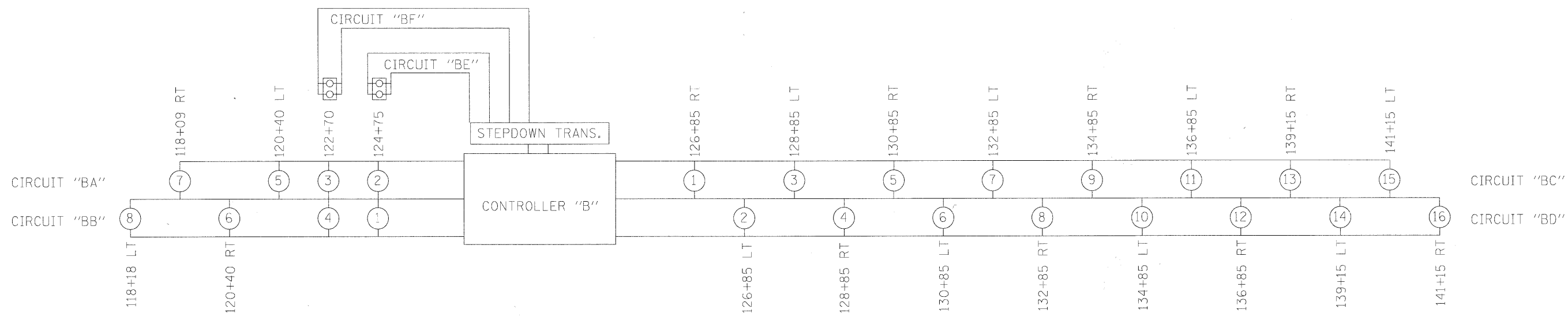
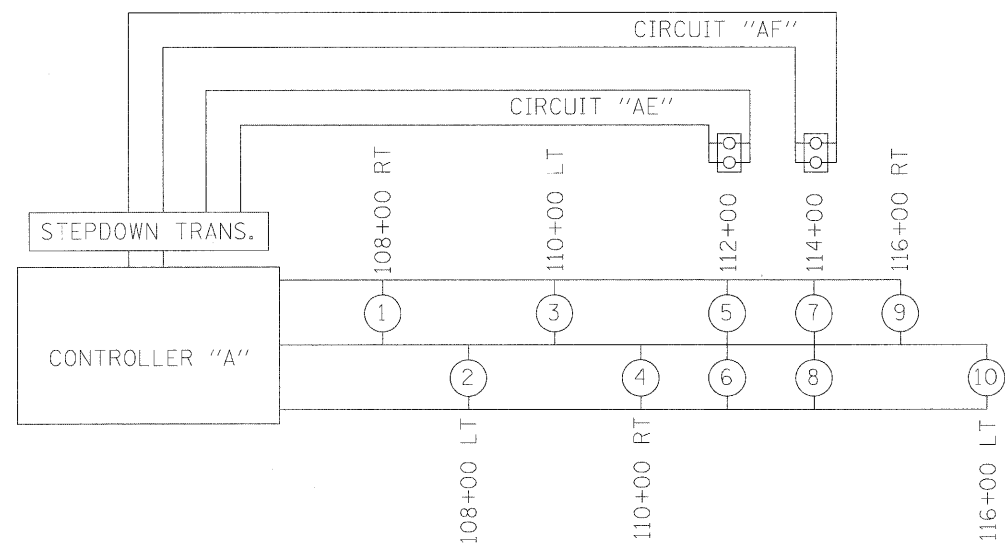


CONTRACT NO.				
F.A.U. RTE.	SECTION	COUNTY	TOTAL SHEETS	SHEET NO.
1578	*	WILL	155	128
STA.		TO STA.		
FED. ROAD DIST. NO.		ILLINOIS	FED. AID PROJECT	
* 06-00046-00-PF				



PLOT DATE = 4/19/2009
 FILE NAME = m:\a\comp\lanta\11025\cad\liver\11025_0174.dgn
 PLOT SCALE = 50.0000' / IN.
 USER NAME = #USER#

REVISIONS	
NAME	DATE

ILLINOIS DEPARTMENT OF TRANSPORTATION

LIGHTING DETAILS

SCALE: N.T.S. DRAWN BY: NMR
 DATE: 03/31/2009 CHECKED BY: DJL

#FILES#