

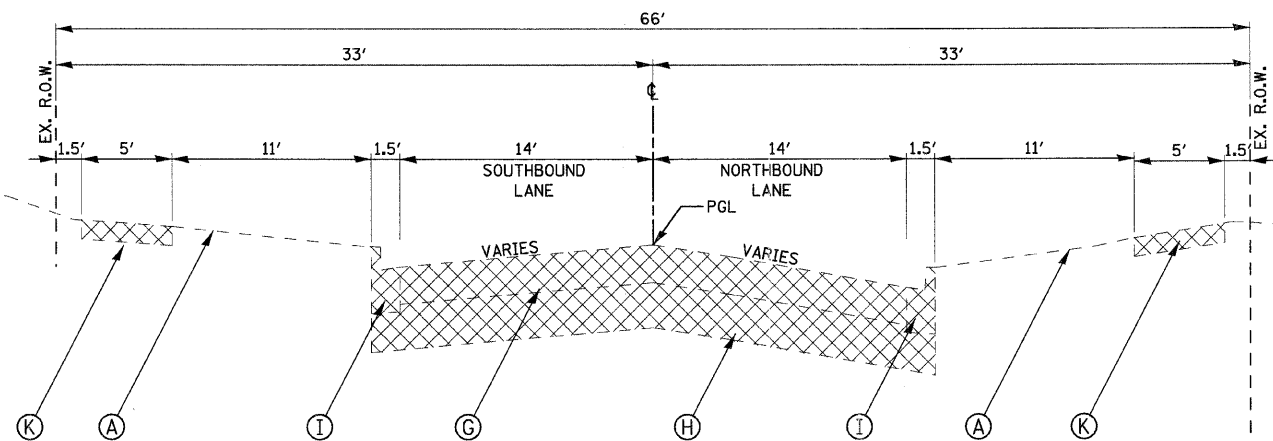
F.A.U. RTE.	SECTION	COUNTY	TOTAL SHEETS	SHEET NO.
1503	08-00260-01-PV	KANE	176	18
STA. 500+23.22		TO STA. 501+10.00		
FED. ROAD DIST. NO.		ILLINOIS FED. AID PROJECT		

LEGEND, EXISTING

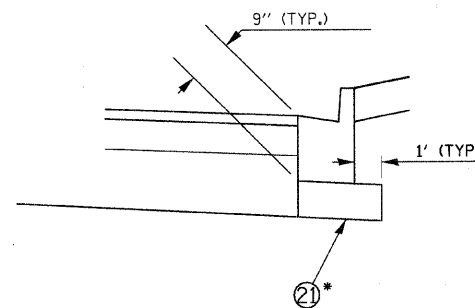
- (A) EXISTING GROUND LINE
- (B) EXISTING HOT-MIX ASPHALT - SEE TABLE FOR THICKNESSES
- (C) EXISTING AGGREGATE BASE - SEE TABLE FOR THICKNESSES
- (D) EXISTING AGGREGATE SHOULDER
- (E) EXISTING TYPE B6.12 CURB AND GUTTER
- (F) EXISTING PCC SIDEWALK
- (G) EXISTING PAVEMENT STRUCTURE - TO BE REMOVED (44000100)
- (H) EXIST. AGGREG. SHOULDER - TO BE REMOVED (INCLUDED IN EARTH EXCAVATION - 20200100)
- (I) EXISTING COMB. CURB AND GUTTER - TO BE REMOVED (44000500)
- (J) EXISTING HOT-MIX ASPHALT SURFACE REMOVAL, (2") (44000157)
- (K) EXISTING PCC SIDEWALK - TO BE REMOVED (44000600)
- (L) SAW CUT (FULL DEPTH)

LEGEND, PROPOSED

- (1) POLYMERIZED HMA SURFACE COURSE, MIX "F", N90, 2" (40603595)
- (2) POLYMERIZED HMA BINDER COURSE, IL-19.0, N90, 9-1/2" (40603240)
- (3) HMA BINDER COURSE, IL-19.0, N50, 4" (40603080)
- (4) HMA SURFACE COURSE, MIX "C", N50, 2" (40603310)
- (5) HMA BASE COURSE WIDENING, IL-19.0, N90, 9-1/2"
- (6) COMBINATION CONCRETE CURB AND GUTTER, TYPE B6.12 (60603800)
- (7) COMBINATION CONCRETE CURB AND GUTTER, TYPE B6.24 (60605000)
- (8) CONCRETE MEDIAN, TYPE SB-6.12 (60619600)
- (9) AGGREGATE SUBGRADE, 12" (Z0001050)
- (10) GEOTECHNICAL FABRIC FOR GRND. STABILIZATION (21001000)
- (11) SUB-BASE GRANULAR MATERIAL, TYPE B, 4" (31101200)
- (12) SUB-BASE GRANULAR MATERIAL, TYPE B, 8" (31101600)
- (13) PCC SIDEWALK, 5" (6" THRU DRIVEWAYS) (42400200/42400300)
- (14) TOPSOIL FURNISH AND PLACE, 6" (XX005238)
- (15) TOPSOIL FURNISH AND PLACE, 24" (XX005238)
- (16) SEEDING CLASS 2A W/EROSION CONTROL BLANKET (25000210/25100630)
- (17) SODDING, SALT TOLERANT (25200110)
- (18) STRIP REFLECTIVE CRACK CONTROL TREATMENT, SYSTEM A (44300900)
- (19) MODULAR CONCRETE PAVER (SPECIAL) ON AGGREGATE BASES (XX005845)
- (20) AGGREGATE SHOULDERS, TYPE A 6" (48100500)
- (21) SUB-BASE GRANULAR MATERIAL, TYPE B, 6" (CA-7)(TO BE PAID AS Z0001050)
- (22) LEVELING BINDER (MACHINE METHOD), N70 (40600635)

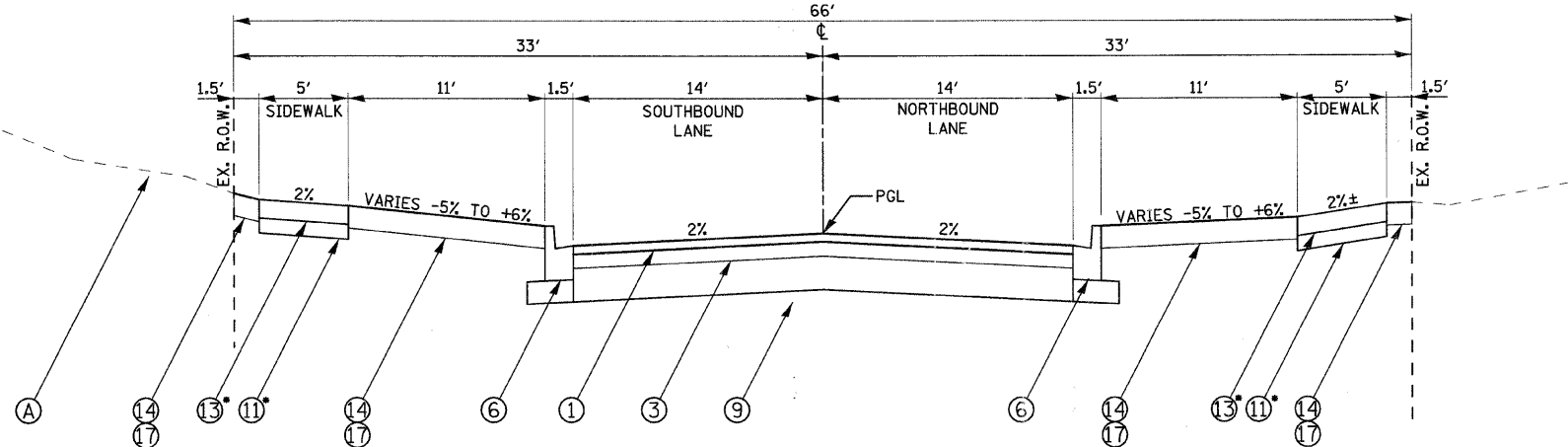


**EXISTING AUTUMN LANE
STA 500+23.22 TO 501+10.00**



SIDE STREET CURB THICKNESS DETAIL

*ON AUTUMN LN. THIS ITEM WILL BE PAID FOR UNDER ITEM 31102300



**PROPOSED AUTUMN LANE
STA 500+23.22 TO 501+10.00**

*SEE DETAIL SHEET #107 FOR SIDEWALK THRU DRIVEWAYS

*SEE DETAIL SHEET #107 FOR SIDEWALK THRU DRIVEWAYS

APPROXIMATE EXISTING PAVEMENT DEPTH

STATION LIMITS	HOT-MIX ASPHALT	AGGREGATE BASE
39+48.92 TO 42+64	11.0"	2.0"
42+64 TO 48+64	8.5"-11.0"	2.0"-4.5"
48+64 TO 63+64	8.5"-9.0"	4.5"-12.0"
63+64 TO 70+64	9.0"-13.1"	12.0"-8.0"
70+64 TO 72+80.91	13.1"-8.7"	12.0"-7.3"

**OHIO, AUTUMN & TRASK
STRUCTURAL PAVEMENT DESIGN**

STRUCTURAL DESIGN TRAFFIC: Year 2020
 PV = 5300 SU = 53 MU = 53
 ROAD/STREET CLASSIFICATION: Class II
 PERCENT OF STRUCTURAL DESIGN TRAFFIC IN DESIGN LANE:
 P = 98 S = 1 M = 1
 TRAFFIC FACTOR: Actual TF = 0.22 AC Type = PG 58-22
 Minimum TF = N/A
 PG GRADE: Binder = PG 58-22 Surface = PG 64-28 OR SBS PG
 SUBGRADE SUPPORT RATING: SSR = POOR



Robert H. Anderson & Associates, Inc.
 Consulting Engineers & Land Surveyors
 License No. 164-005281
 Phone No. 630-584-3530

REVISIONS	
NAME	DATE

ILLINOIS DEPARTMENT OF TRANSPORTATION

TYPICAL SECTIONS
 AUTUMN LANE
 SHEET 9 OF 10

SCALE: VERT. N/A
 DATE: 1/7/09

DRAWN BY: KMA
 CHECKED BY: TC/SBP